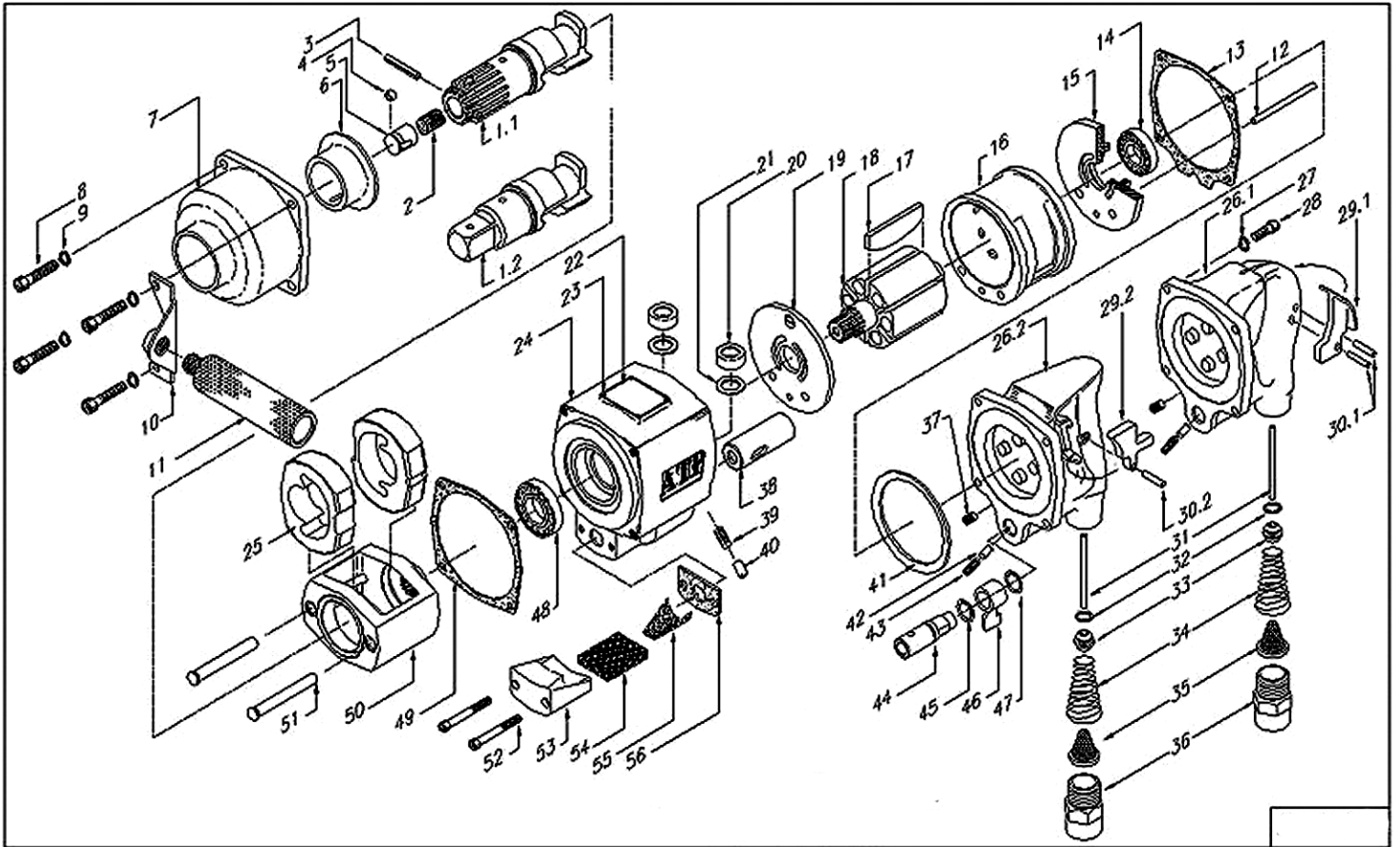


1040-EI-TH & 1040-EO-TH - 1" Impact Wrenches



Just Tools Inc.
33a Haas Road, Toronto, On M9W 3A1
Tel: 416-748-0707 1-888-748-0707 Fax: 416-748-0706
E-mail: sales@justools.com

1040-EI-TH & 1040-EO-TH 1" Impact Wrenches

| # | DESCRIPTION | # | DESCRIPTION |
|-----|---|------|---|
| 1.2 | 2940-726 "IR PARTS - 1" SQ. DR. ANVIL" | 38 | 2934-330S IR PARTS - REVERSE VALVE BUSHING |
| 6 | 2934-641 IR PARTS - HAMMER CASE BUSHING | 39 | 4U-664 IR PARTS - REVERSE LOCK SPRING |
| 7 | 2940-A727 IR PARTS - HAMMER CASE ASSEMBLY | 40 | 4U-663B IR PARTS - REVERSE LOCK PLUNGER |
| 8 | 834-638 IR PARTS - HANDLE CAP SCREW | 41 | 2934-207 IR PARTS - MOTOR CLAMP WASHER |
| 9 | 34U-58 IR PARTS - LOCKWASHER | 42 | R2-75 IR PARTS - OILER FELT |
| 10 | 2934-364 IR PARTS - ASSIST HANDLE BRACKET | 43 | R2-71 IR PARTS - OILER ADJUSTING SCREW |
| 11 | 834-48 IR PARTS - ASSIST HANDLE | 44 | 2934-A329 IR PARTS - REVERSE VALVE |
| 12 | 2940-98 IR PARTS - CYLINDER DOWEL PIN | 45 | 85H-167 IR PARTS - O RING |
| 13 | 2934-283 IR PARTS - HANDLE GASKET | 46 | 2934-658A IR PARTS - REVERSE LEVER |
| 14 | 508-97 IR PARTS - BALL BEARING | 47 | R00BR-210 IR PARTS - REVERSE VALVE SEAL |
| 15 | 2934-12 IR PARTS - REAR END PLATE | 48 | 810-97 IR PARTS - BALL BEARING |
| 16 | 2940-3 IR PARTS - CYLINDER | 49 | 2934-36 IR PARTS - HAMMER CASE GASKET |
| 17 | 2940-42 IR PARTS - VANE | 50 | 2940-A703 IR PARTS - HAMMER FRAME ASSY |
| 18 | 2940-53 IR PARTS - ROTOR | 51 | 2940-704 IR PARTS - HAMMER PIN |
| 19 | 2934-11 IR PARTS - FRONT END PLATE | 52 | R43F-104 IR PARTS - BACKHEAD CAP SCREW |
| 22 | 2940-301 IR PARTS - NAMEPLATE | 53 | 2934-23A IR PARTS - EXHAUST DEFLECTOR |
| 24 | 2940-A40 IR PARTS - MOTOR HOUSING | 54 | 2940P-311 IR PARTS - EXHAUST SILENCER |
| 25 | 2940-724 IR PARTS - HAMMER | 55 | 2934-124 IR PARTS - EXHAUST BAFFLE |
| 27 | 8U-58 IR PARTS - PINCH BOLT LOCKWASHER | 56 | 2934-223 IR PARTS - EXHAUST GASKET |
| 28 | 510-638 IR PARTS - HAMMER CASE CAP SCREW | 26.1 | 2934-A1 (1040-EO) IR PARTS - HANDLE |
| 31 | 2934-302 IR PARTS - THROTTLE VALVE PLUNGER | 29.1 | 844-78 (1040-EO) IR PARTS - TRIGGER |
| 32 | 2934-159 IR PARTS - O RING | 30.1 | F02-15 (1040-EO) IR PARTS - CYLINDER DOWEL |
| 33 | 2934-A50 IR PARTS - THROTTLE VALVE ASSY | 26.2 | 2934-A92A (1040-EI) IR PARTS - INSIDE TRIGGER HANDLE ASSY |
| 34 | 834-51 IR PARTS - THROTTLE VALVE SPRING | 29.2 | 834-93A (1040-EI) IR PARTS - TRIGGER |
| 35 | 434-61 IR PARTS - AIR SCREEN | 30.2 | 534-265 (1040-EI) IR PARTS - TRIGGER PIN |
| 36 | 845-565 IR PARTS - STRAIGHT INLET | | |
| 37 | ROH-377 IR PARTS - OIL CHAMBER PLUG | | |