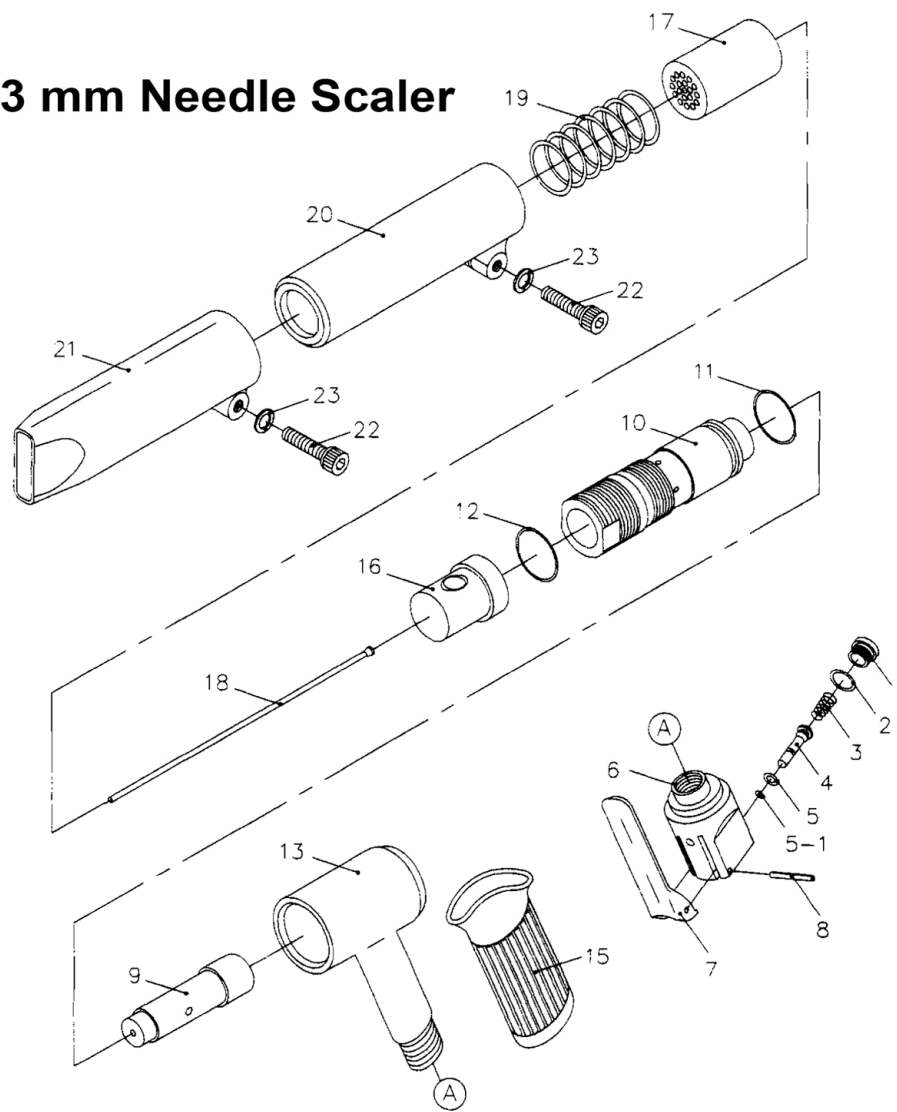




110NS 3 mm Needle Scaler



SPECIFICATIONS :

- * BLOW PER MINUTE ----- 3000
- * STANDARD NEEDLES --- 3 MM×19 PC
- * AIR CONS. ----- 12 CFM
- * AIR PRESSURE ----- 90 PSI
- * AIR INLET ----- 1/4" PT(NPT)

- * PISTON SIZE ----- 23.5×20×70
- * OPTIONAL NEEDLES --- 2 MM×29 PC
- * WIGHT ----- 2.7 KG
- * HOSE SIZE ----- 3/8" ID

REF NO.	PARTS NO.	DESCRIPTION	Q'TY	REF NO.	PARTS NO.	DESCRIPTION	Q'TY
1	110-1	VALVE CAP	1	13	110-13	HOUSING	1
2	110-2	"O" RING (d9.8×W1.9)	1	15	110-15	RUBBER HANDLE GRIP	1
3	110-3	VALVE SPRING	1	16	110-16	ANVIL	1
4	110-4	VALVE STEM	1	17A	110-17A	NEEDLE HOLDER (3 MM)	1
5	110-5	"O" RING (d4.8×W1.9)	1	17B	110-17B	NEEDLE HOLDER (2 MM)	1
5-1	110-5-1	"O" RING (d2.5×W1.5)	1	18A	110-18A	NEEDLE SET (3 MM)	19
6	110-6	VALVE BODY	1	18B	110-18B	NEEDLE SET (2 MM)	29
7	110-7	THROTTLE LEVER	1	19	110-19	SPRING-COMPRESSION	1
8	110-8	SPRING PIN (Ø3×24L)	1	20	110-20	INTERMEDIATE TUBE	1
9	110-9	PISTON	1	21	110-21	FRONT TUBE	1
10	110-10	CYLINDER	1	22	110-22	CAP HEAD SCREW (5/16"×1-1/4")	2
11	110-11	"O" RING (d25.7×W3.5)	1	23	110-23	WASHER (5/16")	2
12	110-12	"O" RING (d25.7×W3.5)	1				

** To get maximum performance and life of your tool, replace the whole set of Parts Kit is highly recommended.