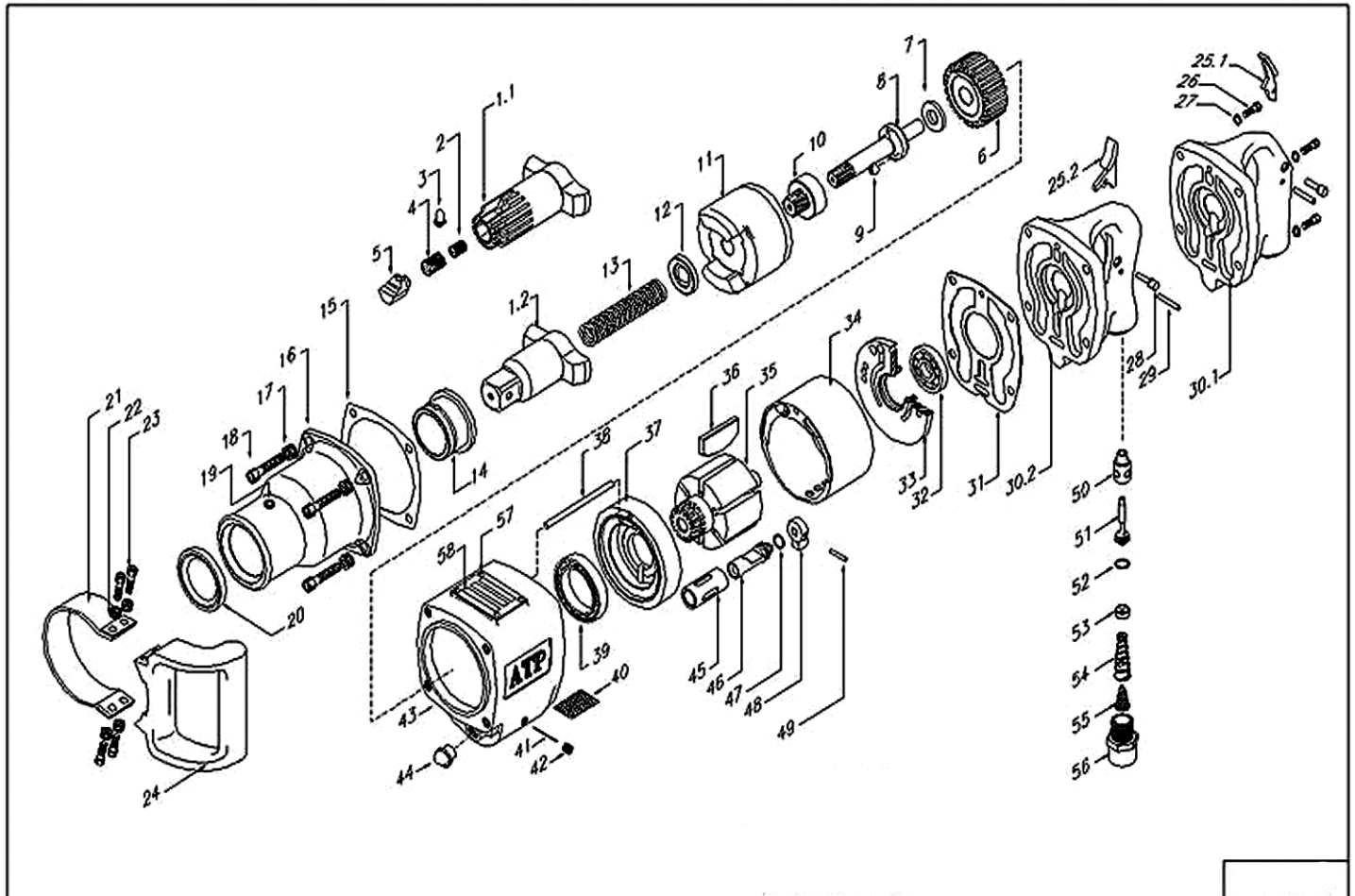


1520-EI-5S & 1520-EO-5S

5 Spline Dr. Impact Wrenches



Just Tools Inc.
33a Haas Road, Toronto, On M9W 3A1
Tel: 416-748-0707 1-888-748-0707 Fax: 416-748-0706
E-mail: sales@justools.com

1520-EI-5S & 1520-EO-5S

5 Spline Dr. Impact Wrenches

| # | DESCRIPTION | # | DESCRIPTION |
|-----|--|------|--|
| 1.1 | C-117069 REPLACEMENT PARTS - SPLINE DRIVE ANVIL | 31 | C-117050 REPLACEMENT PARTS - MOTOR HOUSING GASKET |
| 2 | C-112202 REPLACEMENT PARTS - INNER SPRING | 32 | C-075812 REPLACEMENT PARTS - BALL BEARING |
| 3 | C-047620 REPLACEMENT PARTS - LOCK BUTTON | 33 | C-120682 REPLACEMENT PARTS - UPPER END PLATE |
| 4 | C-112185 REPLACEMENT PARTS - OUTER RETAINING SPRING | 34 | C-117064 REPLACEMENT PARTS - CYLINDER LINER |
| 5 | C-112191 REPLACEMENT PARTS - PLUNGER | 35 | C-117066 REPLACEMENT PARTS - ROTOR |
| 6 | C-117061 REPLACEMENT PARTS - DRIVE COUPLING | 36 | C-117056 REPLACEMENT PARTS - ROTOR BLADES |
| 7 | C-117051 REPLACEMENT PARTS - SPRING SEAT | 37 | C-120683 REPLACEMENT PARTS - FRONT END PLATE |
| 8 | C-117067 REPLACEMENT PARTS - TIMING SHAFT | 38 | C-117048 REPLACEMENT PARTS - DOWEL PIN |
| 9 | P-004254 REPLACEMENT PARTS - BALL | 39 | C-117047 REPLACEMENT PARTS - BEARING |
| 10 | C-117060 REPLACEMENT PARTS - DOG CAM | 42 | C-059641 REPLACEMENT PARTS - PIPE PLUG |
| 11 | C-117068 REPLACEMENT PARTS - DOG | 43 | C-117072 REPLACEMENT PARTS - MOTOR HOUSING |
| 12 | C-117051 REPLACEMENT PARTS - SPRING SEAT | 44 | C-119253 REPLACEMENT PARTS - EXHAUST DEFLECTOR |
| 13 | C-117054 REPLACEMENT PARTS - SPRING | 45 | C-117057 REPLACEMENT PARTS - REV. VALVE BUSHING |
| 14 | C-117053 REPLACEMENT PARTS - CLUTCH HOUSING BUSHING | 46 | C-117065 REPLACEMENT PARTS - REVERSE VALVE |
| 15 | C-117049 REPLACEMENT PARTS - CLUTCH HOUSING GASKET | 47 | S-082809 REPLACEMENT PARTS - O RING |
| 16 | C-117827 REPLACEMENT PARTS - CLUTCH HSG BARE | 48 | C-117058 REPLACEMENT PARTS - REV. VALVE LEVER |
| 17 | NL8 IR PARTS - 5/16 NORD LOCK WASHER | 49 | CA-091533 REPLACEMENT PARTS - ROLL PIN |
| 18 | S-062777 REPLACEMENT PARTS - SCREW | 50 | C-106817 REPLACEMENT PARTS - THROTTLE VALVE BUSHING |
| 19 | C-068064 REPLACEMENT PARTS - PIPE PLUG | 51 | C-106825 REPLACEMENT PARTS - THROTTLE VALVE |
| 20 | C-117576 REPLACEMENT PARTS - GREASE SEAL | 52 | A-043001 REPLACEMENT PARTS - O RING |
| 21 | C-119061 REPLACEMENT PARTS - ASSIST HANDLE BAND | 53 | C-106818 REPLACEMENT PARTS - O RING RETAINER |
| 22 | NL6 IR PARTS - 1/4 NORD LOCK WASHER | 54 | C-088079 REPLACEMENT PARTS - THROTTLE VALVE SPRING |
| 23 | P-073025 REPLACEMENT PARTS - SCREW | 55 | C-087505 REPLACEMENT PARTS - AIR SCREEN |
| 24 | CA-048548 REPLACEMENT PARTS - ASSIST HANDLE | 56 | C-094354 REPLACEMENT PARTS - THROTTLE CAP |
| 26 | S-062777 REPLACEMENT PARTS - SCREW | 25.1 | C-062112 (1520-EO) REPLACEMENT PARTS - THROTTLE LEVER |
| 27 | NL8 IR PARTS - 5/16 NORD LOCK WASHER | 25.2 | C-063747 (1520-EI) REPLACEMENT PARTS - INSIDE TRIGGER |
| 28 | C-113758 REPLACEMENT PARTS - TRIGGER PIN | 30.2 | C-117866 (1520-EI) REPLACEMENT PARTS - INSIDE TRIGGER HANDLE |
| 29 | P-072359 REPLACEMENT PARTS - TRIGGER STOP PIN | N/A | C-117610 REPLACEMENT PARTS - CLUTCH HOUSING |