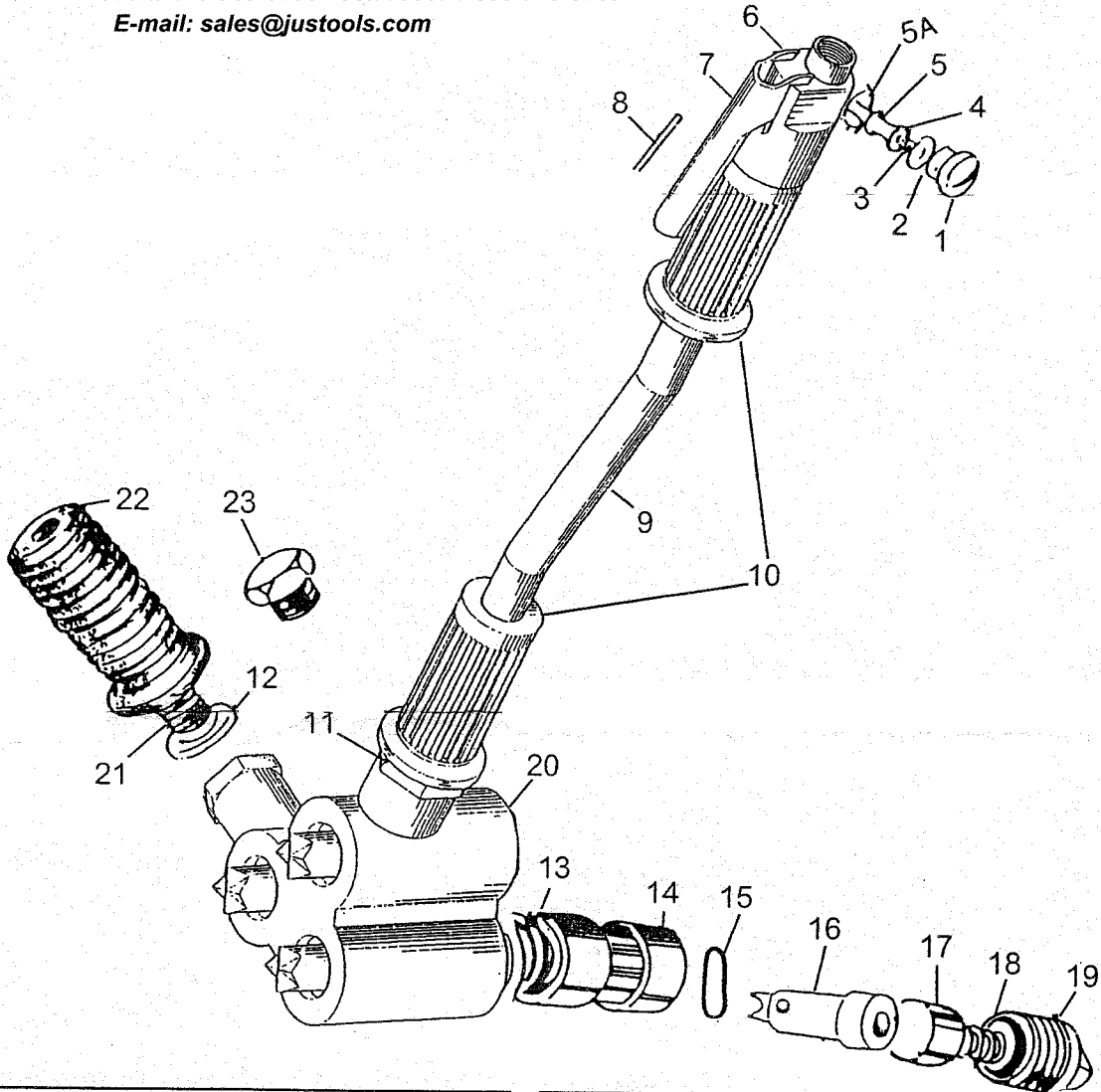


160 TRIPLE PISTON SCALING HAMMER

33A Haas Road, Toronto, On M9W 3A1 Tel: 416-748-0707
 Fax: 416-748-0706 Toll Free: 1-888-748-0707
 E-mail: sales@justools.com



Ref No.	Description	Qty
160-1	Valve Cap 120-11	1
160-2	"O" Ring-Valve Cap (7.8x2.5) 120-12	1
160-3	Valve Spring 120-13	1
160-4	Valve Stem 120-14	1
160-5	"O" Ring-Valve Stem (P5) 120-15	1
160-6	Valve Body 120-16	1
160-7	Throttle Lever 120-17	1
160-8	Roll Pin 120-18	1
160-9	Handle	1
160-10	Rubber Handle Grip 120-19	2
160-11	Lock Nut	1

Ref No.	Description	Qty
160-12	"O" Ring (P14) - 113	2
160-13	Brush Seal	3
160-14	Cylinder	3
160-15	"O" Ring (AS-124)	3
160-16	Piston	3
160-17	Spring Cap	3
160-18	Spring	3
160-19	Plunger Cap	3
160-20	Body	1
160-21	Side Handle	1
160-22	Secondary Rubber Handle Grip	1
160-23	Plug	1