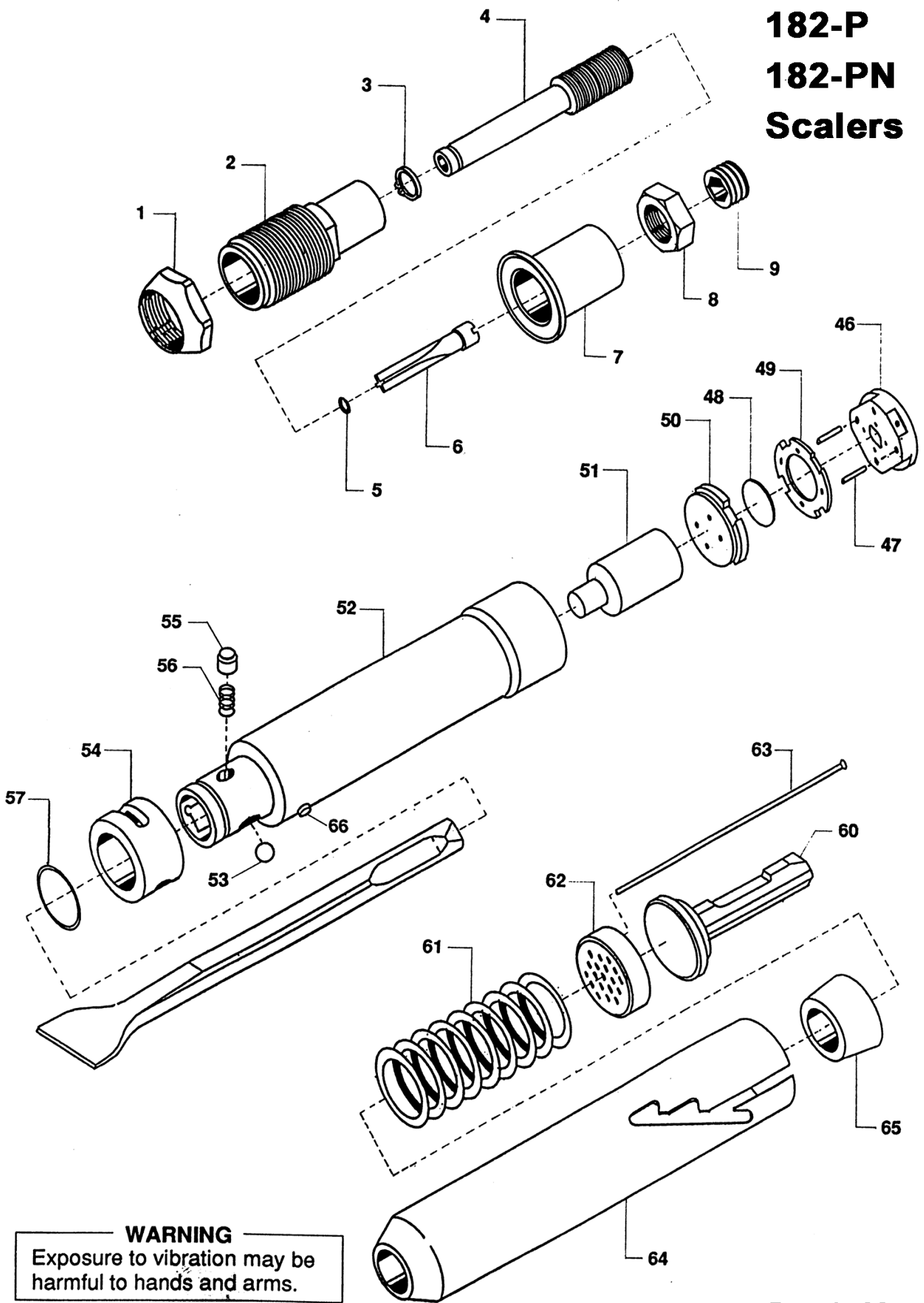


182-P 182-PN Scalers



WARNING
Exposure to vibration may be harmful to hands and arms.

PATCO 182-P & 182-PN Scalers

Parts List

MODEL NUMBER	DESCRIPTION	QTY	PATCO PART NO.	REF. CLECO NO.
1.	Backhead Locking Ring	1	9882	832882
2.	Backhead Push Throttle	1	9807	832807
3.	Throttle Valve Casing Snap Ring	1	9600	833600
4.	Throttle Valve Casing	1	9095	832095
5.	"O" Ring 5/32" X 9/32"	1	9302	844302
6.	Throttle Valve	1	9092	831092
7.	Handle	1	9610	832610
8.	Throttle Valve Casing Lock Nut	1	9645	843645
9.	Throttle Valve Retainer	1	9583	N/A
46.	Valve Cap	1	R-71-4	WF-171-4
47.	Dowel Pin	2	R-71-32	WF-171-32
48.	Valve	1	R-71-2	WF-171-2
49.	Valve Spacer	1	R-71-8	WF-171-8
50.	Valve Seat	1	R-71-3	WF-171-3
51.	Piston	1	R-81-5	WF-181-5
52.	Casing Assembly	1	R-82-A10A	WF-182-A10A
53.	Retainer Ball	1	R071-28	WF-171-28
54.	Retainer Sleeve	1	R-82-30A	WF-182-30A
55.	Retainer Sleeve Lock Plunger	1	R-82-716	WF-182-716
56.	Plunger Lock Spring	1	R-271	R1-271
57.	Retainer Sleeve Lock Ring	1	R-82-104	WF-182-104
60.	Anvil	1	PNA-20	NS11-20
61.	Anvil Spring	1	PNA-27	NS11-27
62.	Needle Holder	1	PNA-21	NS11-21
63.	Needle 5"-1/8 dia. - 19 pieces	1	PNA-22	NS11-22
63 A	Needle 7"-1/8 dia. - 19 pieces	1	PNA-122	NS11-122
64.	Round Needle Housing	1	PNA-24	NS11-24
65.	Spring Seat Stop	1	PNA-25	NS11-25
66.	Needle Attach. Retainer Pin	1	R-82-106A	WF182-106A

Part #	Description
9212	Complete Backhead - Push (Includes Index No.'s 1, 2, 3, 4, 5, 6, 7, 8, 9)
PNA11A5	Needle Attachment 5" Needles with Round Housing (Includes Index No.'s 60, 61, 62, 63, 64, 65, 66)
PNA11A7	Needle Attachment 7" Needles with Round Housing (Includes Index No.'s 60, 61, 62, 63A, 64, 65, 66)

Just Tools Inc.

33a Haas Road, Toronto, On. M9W 3A1 Tel: 416-748-0707 Fax: 416-748-0706 1-888-748-0706
E-mail: sales@justtools.com