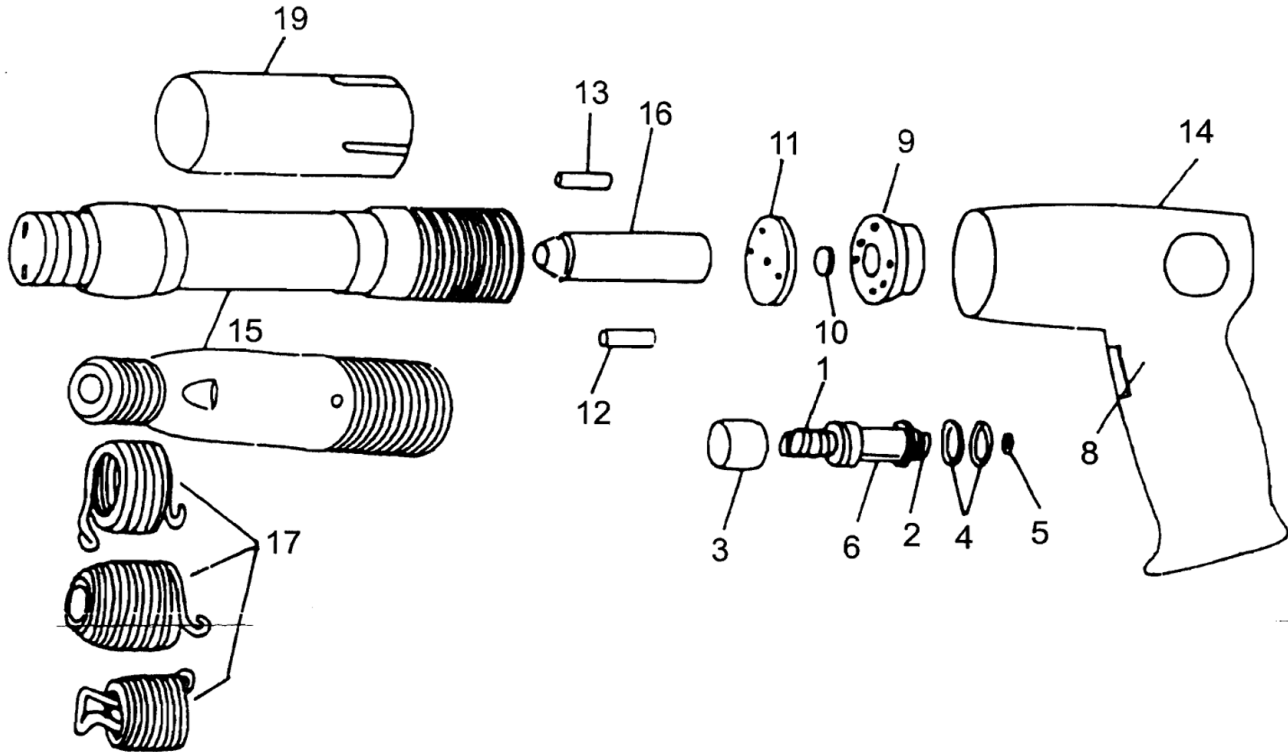


2711R HEAVY DUTY MEDIUM HAMMER



33a Haas Road, Toronto, On M9W 3A1
 Tel: 416-748-0707 Fax: 416-748-0706 1-888-748-0707
 E-mail: sales@justools.com

Ref No.	Description	Qty
715-1	Spring-Valve	1
715-2	Throttle Valve	1
715-3	Button-Throttle	1
715-4	"O" Ring (P12)	2
715-5	"O" Ring (P4)	1
715-6	Bushing-Valve	1
715-8	Pin -Grooved	1
715-9	Lid-Valve Case	1
715-10	Disk-Valve	1
715-11	Case Valve	1
715-12	Dowel-Valve Case (Large)	1

Ref No.	Description	Qty
715-13	Dowel-Valve Case (small)	1
715-14	Handle	1
715-15	Overall Length 8 7/8" (225mm)	1
715-16	Piston	1
	Retainer-Quick Chang	1
715-17	Retainer-Bee Hive Type	1
	Retainer-Zip Change	1
715-19	Deflector	1
711-15	Overall Length 6 3/4" (171mm)	1
711-16	Piston	1