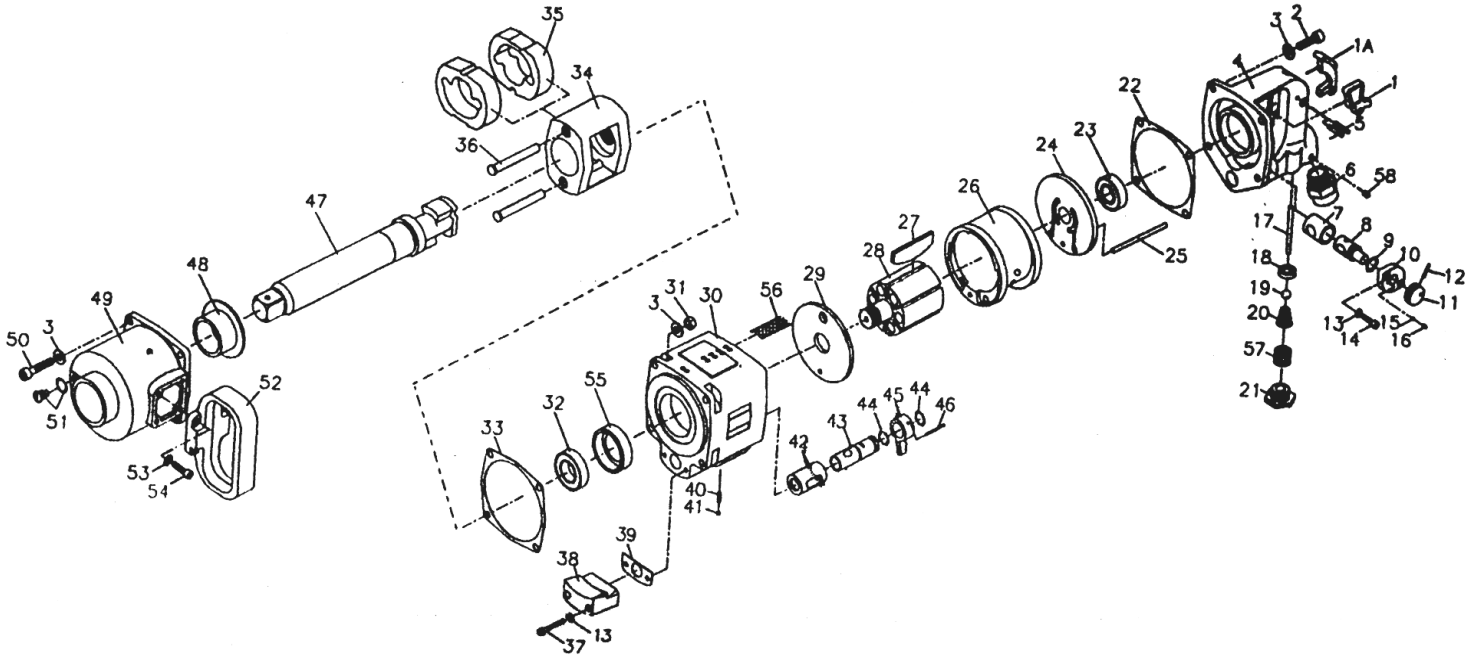


## 2811 1" Impact Wrench



**PARTS LIST:**

NO	DESCRIPTION	PARTS NO	Qty	REMARK
1	TRIGGER	3201000001	1	
1A	EXTERNAL TRIGGER	3201000000	1	
2	M8*L25 HEX CAP BOLT	3202000000	4	
3	M8 SPRING WASHER	3203000000	12	
4	FRAME HANDLE	2004000000	1	
5	4*L25 NEEDLE PIN	3205000000	2	
6	INLET	2006000000	1	
7	THROTTLE BOSH	2007000000	1	
8	THROTTLE	2008000000	1	
9	O-RING	2009000000	1	
10	REGULATOR BUSHING	2010000000	1	
11	REGULATOR	2011000000	1	
12	2.5*L22 PIN	0425000000	1	
13	M5 SPRING WASHER	4050000000	4	
14	M5*L16 SCREW	0244000000	2	
15	1/8" STEEL BALL	0420000000	1	
16	2.8*L8.2 SPRING	0423000000	1	
17	THROTTLE VALVE PLUNGER	2017000000	1	
18	VALVE WASHER	3211000000	1	
19	1/2" STEEL BALL	3212000000	1	
20	SPRING	3213000000	1	
21	VALVE INLET	2021000000	1	
22	REAR COVER WASHER	2022000000	1	
23	6004 BEARING	2023000000	1	
24	REAR BEARING	2024000000	1	
25	PIN	1525000000	1	
26	CYLINDER	1526000000	1	
27	VANE	1527000000	6	
28	ROTOR	1528000000	1	
29	FRONT BEARING PLATE	2029000000	1	
30	MOTOR CASE(UPSIDE EXHAUST)	1530000000	1	
31	M8 NUT	324300000N	4	
32	6005 BEARING	2032000000	1	
33	FRONT COVER WASHER	2033000000	1	
34	HAMMER FRAME	1534000000	1	
35	HAMMER	1535000000	2	
36	HAMMER PIN	1536000000	2	
37	M5 * L15 SCREW	2037000000	2	
38	EXHAUST DEFLECTOR	2038000000	1	

NO	DESCRIPTION	PARTS NO	Qty	REMARK
39	DEFLECTOR PLATE	2040000000	1	
40	3.8*L13.5 SPRING	3219000000	1	
41	4MM STEEL BALL	0424000000	1	
42	THROTTLE BOSH	2043000000	1	
43	REVERSE THROTTLE	2044000000	1	
44	15.6*PI.78(016) O-RING	2045000000	2	
45	TRIGGER FOR THROTTLE	2046000000	1	
46	2.5*L18 SPRING PIN	2047000000	2	
47	ANVIL (SHORT)	154800000A	1	
	6" EXTENDED ANVIL	154800000D	1	
48	BUSHING	2049000000	1	
49	HAMMER CASE	1550000000	1	
50	M8*L40 SCREW	2051000000	4	
51	M10*L9 SCREW+P8 O-RING	2052000000+P8	1	
52	HANDLE	3245000000	1	
53	M6 SPRING WASHER	401300000W	4	
54	M6*L18 SCREW	4013000000	4	
55	BEARING BOSH	2080000000	1	
56	SILENCER	C120101000	1	
57	SILENCER	C120101000	1	
58	M6*6L SCREW	2059000000	1	

K1	TUNE UP KIT	K152700000	1 SET	
K2	SCREW AND WASHER KIT	K152500000	1 SET	
K3	ANVIL HAMMER KIT	K154800000	1 SET	
K4	VALVE KIT	K201700000	1 SET	
K5	REGULATOR KIT	K200800000	1 SET	
K6	F/R MECHANISM KIT	K204600000	1 SET	
K7	HANDLE KIT	K200400000	1 SET	
K8	MOTOR CASE KIT	K153000000	1 SET	
K1	1(1A), 5, 9, 12, 15, 16, 22, 25, 27, 33, 40, 41, 44, 46			
K2	2, 3, 13, 14, 31, 37, 50, 51, 53, 54, 58			
K3	34, 35(2), 36(2), 47			
K4	17, 18, 19, 20, 21, 57			
K5	7, 8, 9, 10, 11, 12, 13, 14, 15, 16			
K6	40, 41, 42, 43, 44, 45, 46			
K7	1, 2(4), 3(4), 4, 5, 6, 7, 8, 9, 10, 11, 12, 13(2), 14(2), 15, 16, 17, 18, 19, 20, 21, 22, 57, 58			
K8	13(2), 30, 37(2), 38, 39, 40, 41, 42, 43, 44(2), 45, 46			

★ To get maximum performance and life of your tool, to replace the whole set of Parts Kit is highly recommended. And we hold the right to change or modify the parts and specifications without notice.