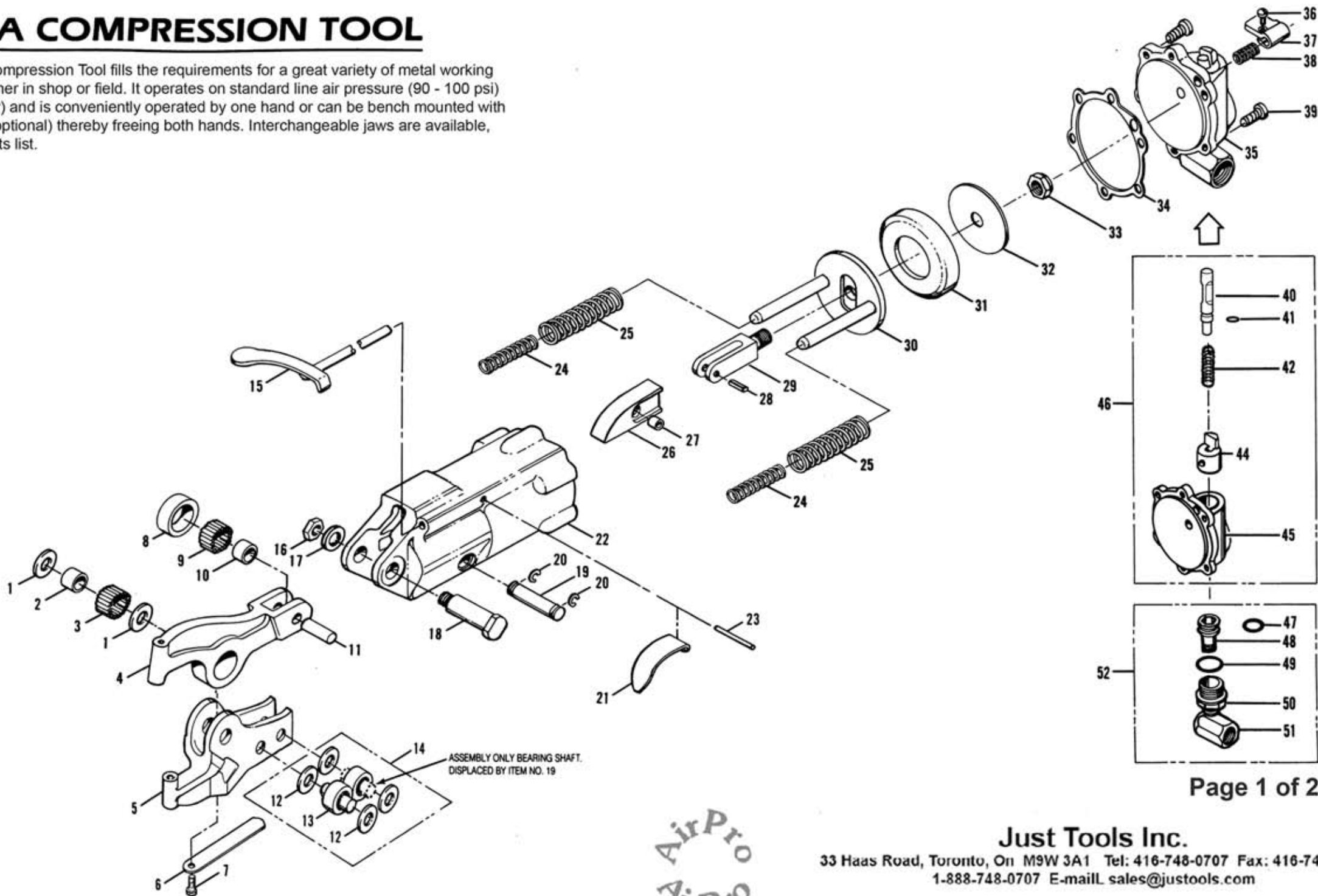


# 3000 A COMPRESSION TOOL

This AirPro Compression Tool fills the requirements for a great variety of metal working operations either in shop or field. It operates on standard line air pressure (90 - 100 psi) (6.12 - 6.8 bar) and is conveniently operated by one hand or can be bench mounted with foot control (optional) thereby freeing both hands. Interchangeable jaws are available, see Jaws parts list.



**Just Tools Inc.**

33 Haas Road, Toronto, On M9W 3A1 Tel: 416-748-0707 Fax: 416-748-0706  
1-888-748-0707 E-mail: sales@justtools.com

## SPECIFICATIONS

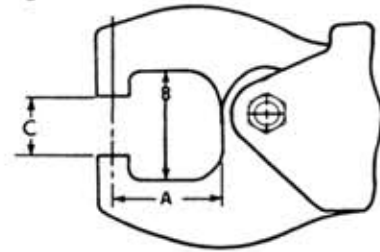
MODEL NO.	CAPACITY COLD RIVET				STANDARD JAW						MOVING JAW				NET WEIGHT WITH JAWS		LENGTH		
	Alum.		Steel		Reach		Gap		Closed Height		Maximum Travel		Max. Force With 90 Pressure	Part of Stroke at Max. Force (Final)		Lbs.	Kg.	In.	mm
	In.	mm	In.	mm	In.	mm	In.	mm	In.	mm	In.	mm	Pounds	In.	mm			In.	mm
3000 A - 1-1/2"	1/8	3.2	3/32	2.4	1-1/2	38	1-5/8	41	7/8	23	5/8	16	3000	1/16	1.6	3-3/4	1.7	9-3/16	233
3000 A - 2-1/4"	1/8	3.2	3/32	2.4	2-1/4	57	2-1/8	54	7/8	23	7/8	23	2200	3/32	2.4	4-1/4	1.9	10-1/8	257
3000 A - 3"	3/32	2.4	3/32	2.4	3	76	2-1/8	54	7/8	23	1-1/4	32	1800	1/8	3.2	4-3/4	2.1	10-7/8	276

## PARTS NUMBERS

ITEM	PART NO.	DESCRIPTION	QUAN.
1	190,001	WASHER, THRUST, MAIN BEARING	2
2	040,007	ROLLER, MAIN BEARING, INNER	1
3	040,004	NEEDLE, BEARING	35
4	*	(See Jaws Parts List)	
5	*	(See Jaws Parts List)	
6	080,003	GUARD, ROLLER	1
7	160,003	SCREW, ROLLER GUARD	1
8	040,005	ROLLER, OUTER	1
9	040,004	NEEDLE, BEARING	29
10	040,006	ROLLER, INNER	1
11	220,009	SHAFT, END ROLLER	1
12	190,004	WASHER, THRUST	4
13	120,000	ASS'Y WEDGE ROLLER	2
14	120,013	ASS'Y, WEDGE ROLLER COMPLETE	2
15	110,000	THROTTLE LEVER	1
16	180,002	NUT, BEARING SHAFT	1
17	190,002	WASHER, BEARING BOLT	1
18	050,039	BOLT, BEARING	1
19	220,006	SHAFT, BEARING	1
20	230,001	C-RING, BEARING SHAFT	2
21	200,005	SPRING, LEAF	1
22	005,000	HOUSING, CYLINDER, BARE	1
23	220,007	PIN, SPRING	1
24	200,001	SPRING, INNER	2
25	200,002	SPRING, OUTER	2
26	050,012	WEDGE	1
27	050,002	SPACER	1
28	220,005	PIN, FORK	1
29	050,005	FORK	1
30	120,001	ASS'Y, PISTON	1
31	140,000	LEATHER, PISTON CUP	1
32	190,000	PLATE, PISTON LEATHER	1
33	180,001	NUT, 3/8" x 24, SELF-LOCKING	1
34	100,000	GASKET, CYLINDER HEAD	1
35	120,012	ASS'Y, CYLINDER HEAD SAFETY	1
36	160,002	SCREW, LEVER ARM	1
37	090,000	LEVER, ARM	1
38	200,003	SPRING, THROTTLE LEVER	1
39	160,000	SCREW, CYLINDER HEAD	6
40	050,014	VALVE	1
41	150,000	"O" RING, VALVE	1
42	200,004	SPRING, VALVE	1
44	050,036	BUSHING, VALVE SAFETY	1
45	030,001	CYLINDER HEAD, BARE	1

## ALLIGATOR NOMENCLATURE

- A Reach
- B Total yoke gap
- C Closed height



## PARTS NUMBERS

ITEM	PART NO.	DESCRIPTION	QUAN.
46	120,006	ASSY CYLINDER HEAD, PLAIN	1
47	150,001	"O" RING, SWIVEL BOLT	1
48	050,031	SWIVEL	1
49	150,002	"O" RING, SWIVEL NUT	1
50	050,015	NUT, SWIVEL	1
51	050,030	ELBOW, INLET 1/4" PIPE	1
52	120,007	ASSY SWIVEL	1

## \* JAWS PART NUMBERS

ITEM	PART NO.	DESCRIPTION	REACH	SET HOLE	QUAN.
4	275,001	JAW MOVING	1-1/2"	3/16"	1
5	285,001	JAW STATIONARY	1-1/2"	3/16"	1
4	275,002	JAW MOVING	1-1/2"	1/4"	1
5	285,002	JAW STATIONARY	1-1/2"	1/4"	1
4	275,003	JAW MOVING	2-1/4"	3/16"	1
5	285,003	JAW STATIONARY	2-1/4"	3/16"	1
4	275,004	JAW MOVING	2-1/4"	1/4"	1
5	285,004	JAW STATIONARY	2-1/4"	1/4"	1
4	275,005	JAW MOVING	3"	3/16"	1
5	285,005	JAW STATIONARY	3"	3/16"	1
4	275,006	JAW MOVING	3"	1/4"	1
5	285,006	JAW STATIONARY	3"	1/4"	1

Printed in USA CATALOG NO. 8182 A

# Just Tools Inc.

33 Haas Road, Toronto, On M9W 3A1 Tel: 416-748-0707 Fax: 416-748-0706  
1-888-748-0707 E-mail: sales@justtools.com

Page 2 of 2