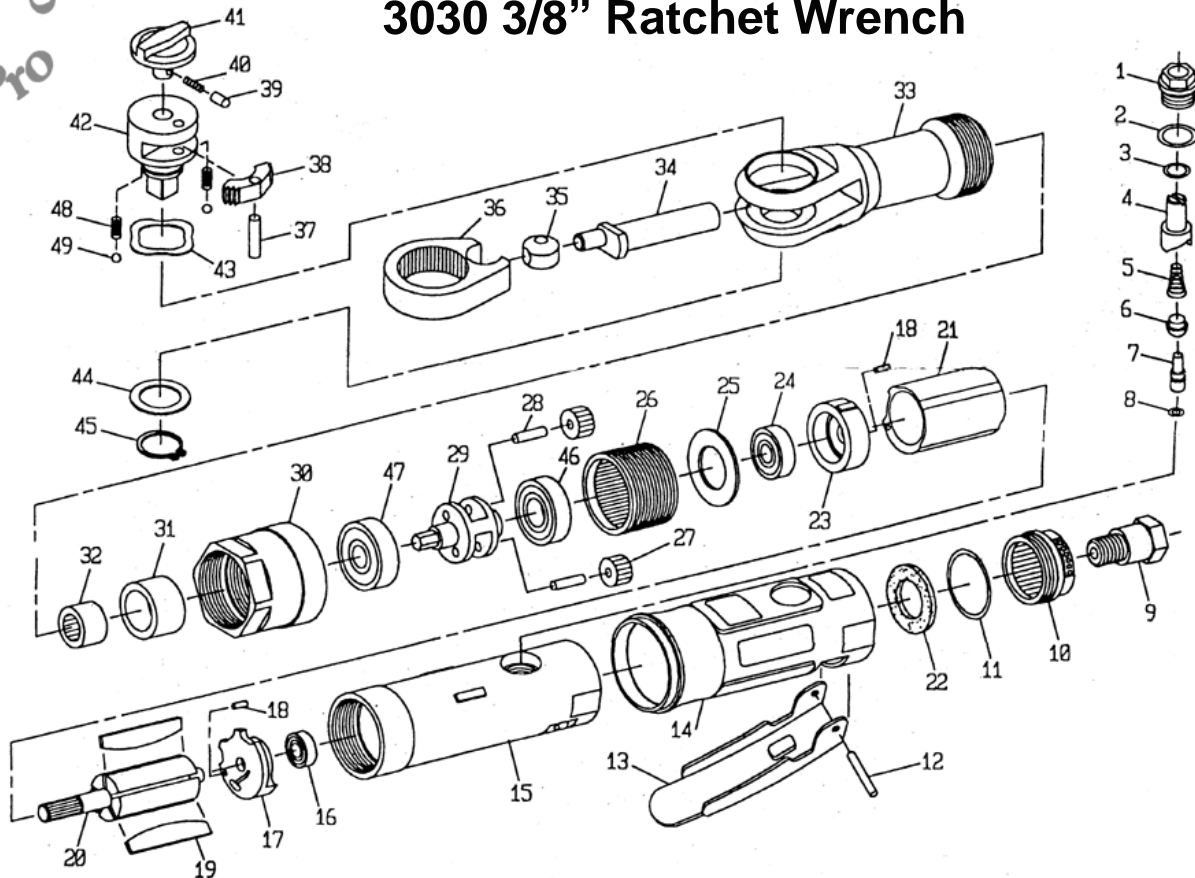


JUST TOOLS INC.

3030 3/8" Ratchet Wrench



TECHNICAL DATA	Square Drive	: 3/8"
	Torque	: 50 ft-lbs (6.9 kg-m)
	Weight	: 1.18 kg
	Length	: 10.4" (265 mm)
	RPM	: 175
	Air Inlet	: 1/4"
	Min. Hose	: 3/8"
	Avg. Air Cons	3 CFM

PARTS LIST

Index #	Part #	Description	Index #	Part #	Description
1.	ZE-26-01	Screw	26.	ZR-3-026	Thread Ring Gear (41T)
2.	ZE-26-02	O-Ring	27.	ZR-3-027	Gear (16T) (2)
3.	ZE-26-03	O-Ring	28.	ZAN-26-28	Idler Gear Pin (2)
4.	ZE-26-04	Air Regulator	29.	ZR-3-029	Idler Gear Plate
5.	ZE-26-05	Spring	30.	ZR-3-030	Clamp Nut
6.	ZE-26-06	Valve Stem Bushing	31.	ZR-3-031	Bushing
7.	ZE-26-07	Valve Stem	32.	ZR-3-032	Needle Bearing
8.	ZE-26-08	O-Ring	33.	ZR-3-033	Ratchet Housing
9.	ZE-26-09	Air Inlet	34.	ZR-3-034	Crank Shaft
10.	ZE-26-10	Exhaust Sleeve	35.	ZR-3-035	Drive Bushing
11.	ZE-26-11	O-Ring	36.	ZR-3-036	Ratchet Yoke
12.	ZE-26-12	Pin	37.	ZR-3-037	Pin
13.	ZE-26-13	Lever	38.	ZR-3-038	Ratchet Pawl
14.	ZE-26-14	Protecting Rubber	39.	ZR-3-039	Lock Pin
15.	ZAN-26-15	Housing	40.	ZR-3-040	Spring
16.	ZE-26-16	Bearing	41.	ZR-3-041	Reverse Button
17.	ZE-26-17	Rear Plate	42.	ZR-3-042	Ratchet Anvil (3/8")
18.	ZE-26-18	Pin (2)	43.	ZR-3-043	Wave Washer
19.	ZE-26-19	Rotor Blade (5)	44.	ZR-3-044	Washer
20.	ZR-3-020	Rotor (9T)	45.	ZR-3-045	Retainer Ring
21.	ZE-26-21	Cylinder	46.	ZR-3-046	Bearing
22.	ZE-26-22	Cone Muffler	47.	ZR-3-047	Bearing
23.	ZE-26-23	Front Plate	48.	ZR-3-048	Spring (2)
24.	ZE-26-24	Bearing	49.	ZR-3-049	Steel Ball (2)
25.	ZE-26-25	Washer			