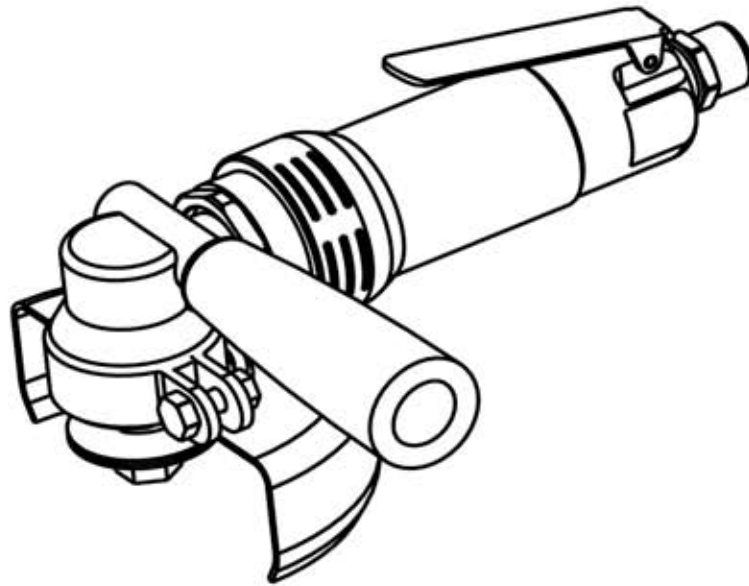




## 400RAK Angle Grinder



Page 1 of 4

Top Cat ® Air Tools, Manufactured by T.C. Service Co.

Just Tools Inc.

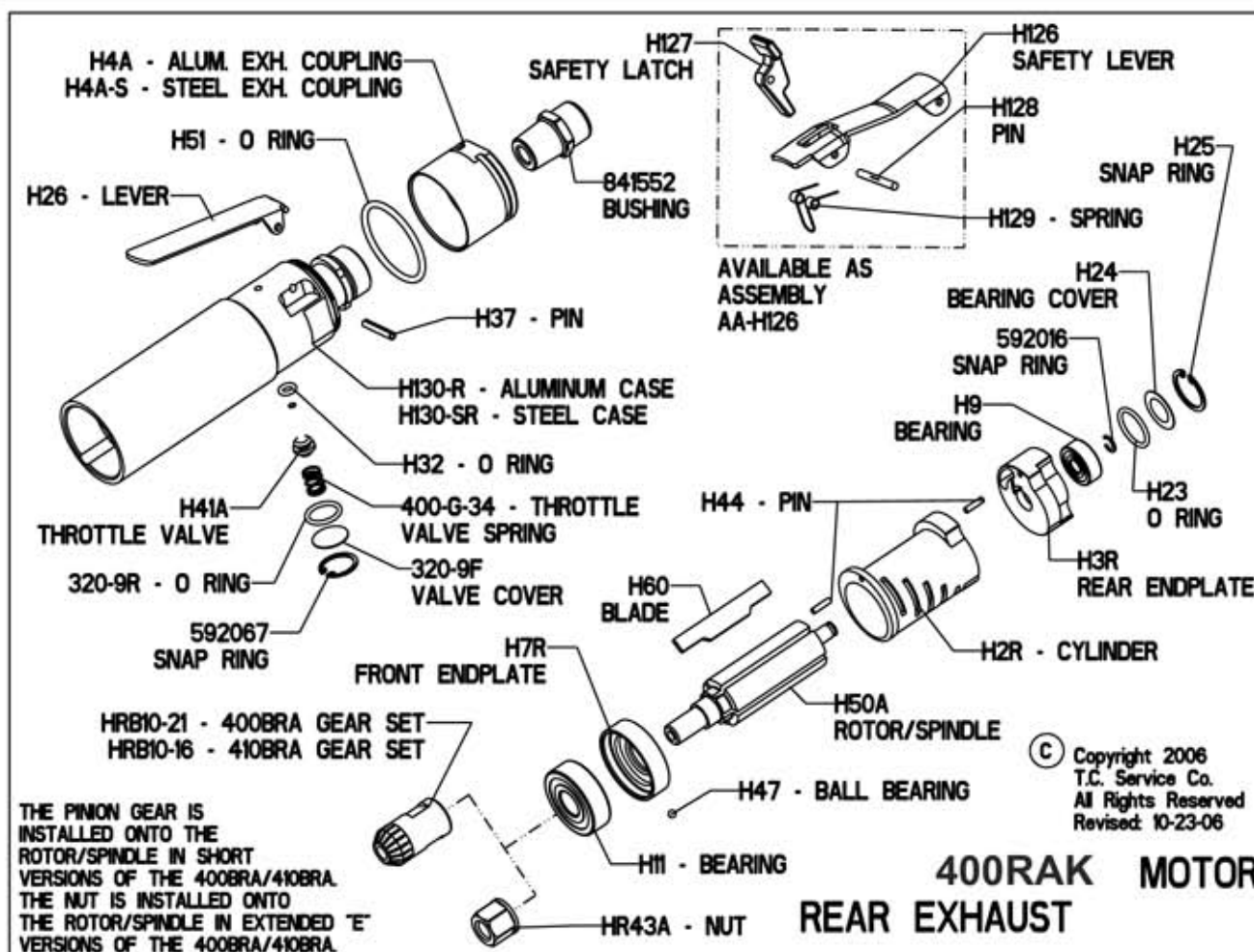
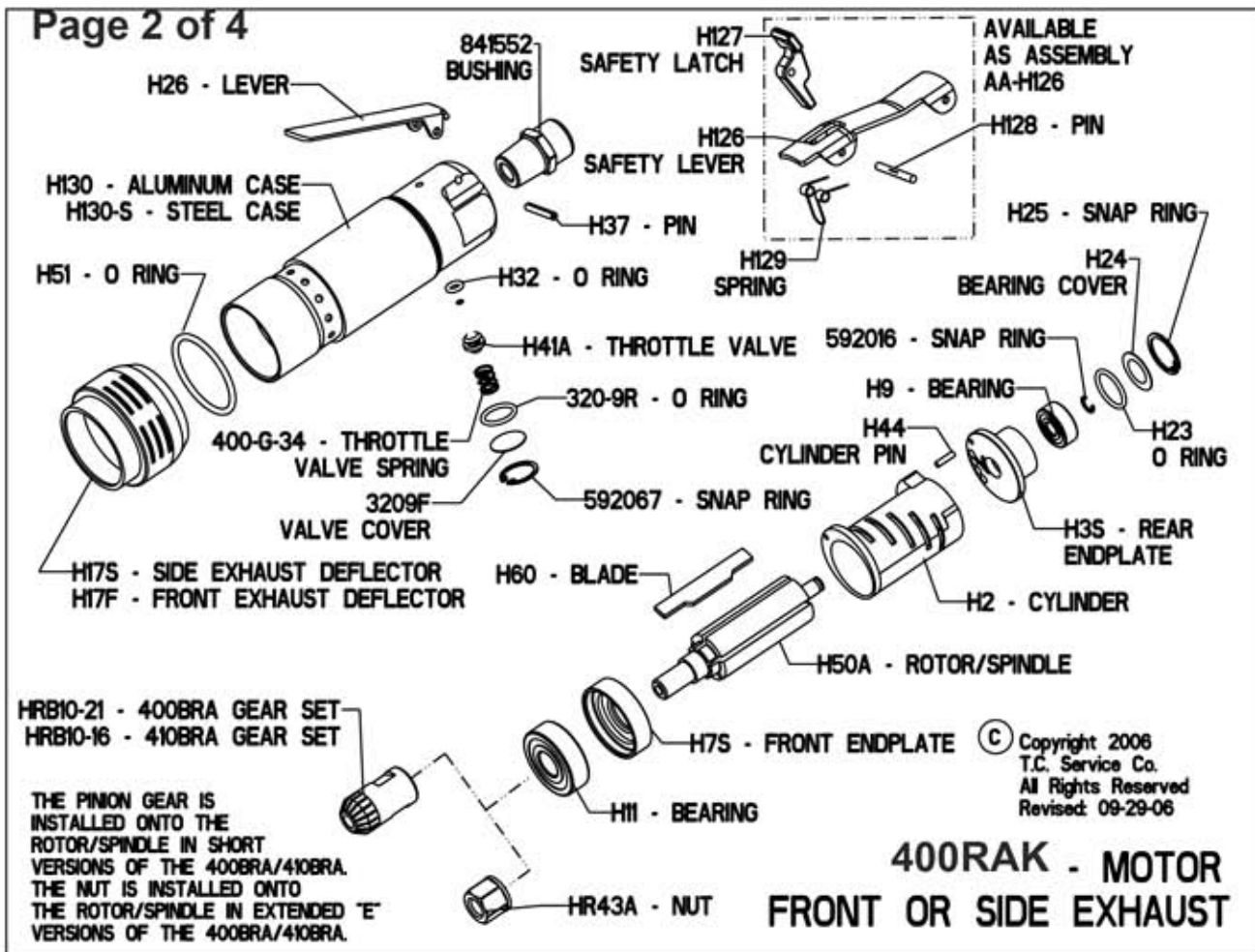
33A Haas Road, Toronto, On M9W 3A1

Tel: 416-748-0707 Toll Free: 1-888-748-0707

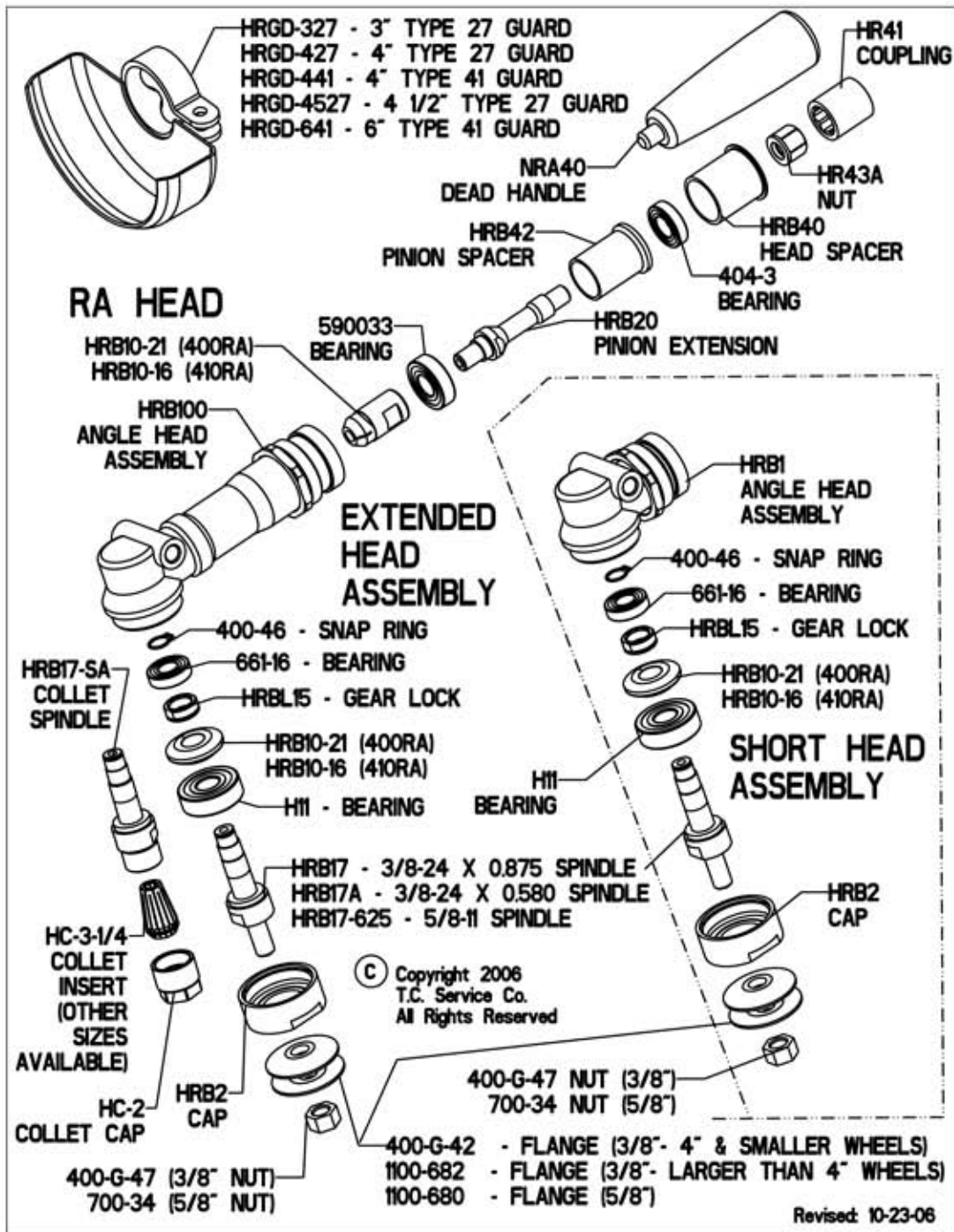
Fax: 416-748-0706 E-mail: [sales@justools](mailto:sales@justools)

# Maintenance

Page 2 of 4



# 400RAK



**Note:** Use of any parts other than genuine Top Cat® parts voids any and all warranties, and may result in a hazardous situation and a decrease in operating efficiency.

## REPAIR KITS

PART NUMBER	DESCRIPTION
510288	400BRA REPAIR KIT
510290	410BRA REPAIR KIT
510292	400BRAE REPAIR KIT
510294	410BRAE REPAIR KIT

# Tool Parts Listing

<u>PART NUMBER</u>	<u>DESCRIPTION</u>	<u>PART NUMBER</u>	<u>DESCRIPTION</u>
H2	FRONT/SIDE EXHAUST CYLINDER	500-25-G	GREASE FITTING
H2R	REAR EXHAUST CYLINDER	550-54	LOCK WASHER
H3S	FRONT/SIDE EXHAUST R. ENDPLATE	661-16	BEARING
H3R	REAR EXHAUST REAR ENDPLATE	700-34	5/8-11 JAM NUT
H4A	ALUMINUM REAR EXHAUST COUPLING	1100-680	5/8" ID X 1.5" OD FLANGE
H4A-S	STEEL REAR EXHAUST COUPLING	1100-682	3/8" ID X 1.5" OD FLANGE
H7R	REAR EXHAUST FRONT ENDPLATE	590033	BEARING
H7S	FRONT/SIDE EXHAUST FT. ENDPLATE	591169	SCREW
H9	REAR BEARING	592016	SNAP RING
H11	FRONT BEARING	592067	SNAP RING
H17F	FRONT EXHAUST DEFLECTOR	841552	3/8 NPT TO 3/8 NPT BUSHING
H17S	SIDE EXHAUST DEFLECTOR	841553-M	3/8 NPT TO 3/8 BSP BUSHING
H23	O-RING	847528	BEARING
H24	BEARING COVER		
H25	SNAP RING		
H26	THROTTLE LEVER		
H32	O-RING		
H37	LEVER PIN		
H41A	THROTTLE VALVE-WITH H32 O-RING		
H42	O-RING		
H43	SPRING		
H44	CYLINDER PIN		
H47	LOCATING BALL		
H50A	ROTOR/SPINDLE		
H51	O-RING		
H60	BLADE (5 REQ)		
H126	SAFETY LEVER		
H127	LOCKOUT LEVER		
H128	SAFETY LEVER PIN		
H129	SAFETY LEVER SPRING		
H130	FRONT/SIDE EXHAUST ALUM. CASE (SPECIFY SPEED)		
H130-S	FRONT/SIDE EXHAUST STEEL CASE (SPECIFY SPEED)		
H130-SR	ALUMINUM REAR EXHAUST CASE (SPECIFY SPEED)		
H130-R	STEEL REAR EXHAUST CASE (SPECIFY SPEED)		
HR41	COUPLING		
HR43A	NUT		
HRB1	SHORT ANGLE HEAD ASSY.		
HRB2	CAP		
HRB10-16	410RA GEAR SET		
HRB10-21	400RA GEAR SET		
HRB17	3/8-24 X .980" OUTPUT SPINDLE		
HRB17A	3/8-24 X .580" OUTPUT SPINDLE		
HRB17-625	5/8-11 OUTPUT SPINDLE		
HRB20	PINION EXTENSION		
HRB40	HEAD SPACER		
HRB42	PINION SPACER		
HRB100	LONG ANGLE HEAD ASSY.		
HRBL15	GEAR LOCK		
320-9R	O-RING		
320-9F	VALVE COVER		
400-G-42	3/8" ID X 1" OD FLANGE		
400-G-47	3/8-24 JAM NUT		
400-46	SNAP RING		
404-3	BEARING		
500-G-44	3/8" ID X 1-3/8 OD FLANGE		
		<b>GUARDS</b>	
		<u>PART NUMBER</u>	<u>DESCRIPTION</u>
		HRDG-327	3" TYPE 27 GUARD
		HRDG-427	4" TYPE 27 GUARD
		HRDG-4527	4 1/2" TYPE 27 GUARD
		HRDG-441	4" TYPE 41 GUARD
		HRDG-641	6" TYPE 41 GUARD
		<b>TOOLS</b>	
		<u>PART NUMBER</u>	<u>DESCRIPTION</u>
		490-3	PIN SPANNER
		1100-056	9/16" WRENCH
		1100-063	5/8" WRENCH
		1100-075	3/4" WRENCH
		1100-806	H9 BEARING DRIVER
		1100-814	H11 BEARING DRIVER
		1100-836	GREASE GUN
		1100-838	4 OZ. TUBE OF GREASE
		AA-1100-836	GREASE GUN WITH 4 OZ. TUBE OF GREASE
		<b>ASSEMBLIES</b>	
		<u>PART NUMBER</u>	<u>DESCRIPTION</u>
		AA-H126	SAFETY LEVER ASSY.
		AA-H130-L	ALUM. FRONT/SIDE EXHAUST CASE ASSY.
		AA-H130-K	ALUM. SAFETY FRONT/SIDE EX. CASE ASSY.
		AA-H130-S-L	STEEL FRONT/SIDE EXHAUST CASE ASSY.
		AA-H130-S-K	STEEL SAFETY FRONT/SIDE EX. CASE ASSY.
		AA-H130-R-L	ALUM. REAR EXHAUST CASE ASSY.
		AA-H130-R-K	ALUM. SAFETY REAR EXHAUST CASE ASSY.
		AA-H130-R-S-L	STEEL REAR EXHAUST CASE ASSY.
		AA-H130-R-S-K	STEEL SAFETY REAR EXHAUST CASE ASSY. SPECIFY SPEED FOR CASE ASSY.
		<b>ACCESSORIES</b>	
		<u>PART NUMBER</u>	<u>DESCRIPTION</u>
		ADT27-354	3/8-24 TO 5/8" ID T-27 ADAPTER (4" OR SMALLER)
		ADT27-375	3/8-24 TO 7/8" ID T-27 ADAPTER (4" OR LARGER)
		ADT27-575	5/8-24 TO 7/8" ID T-27 ADAPTER
		TC-1012A	3/8-24 TO 1/4" I.D. - 2 PIECE COLLET
		849848-A	5" SANDING PAD (10,000 RPM MAX.)
		889271-A	4" SANDING PAD (12,000 RPM MAX.)
		849259-A	SANDING PAD NUT
		102-SPWR	SANDING PAD NUT WRENCH