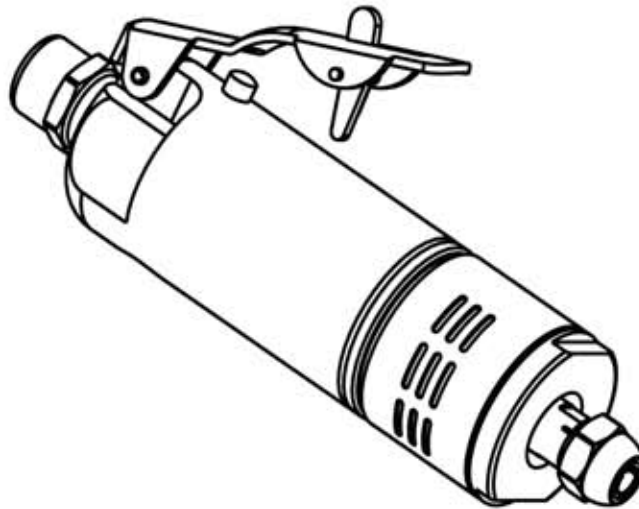


### Breakdown

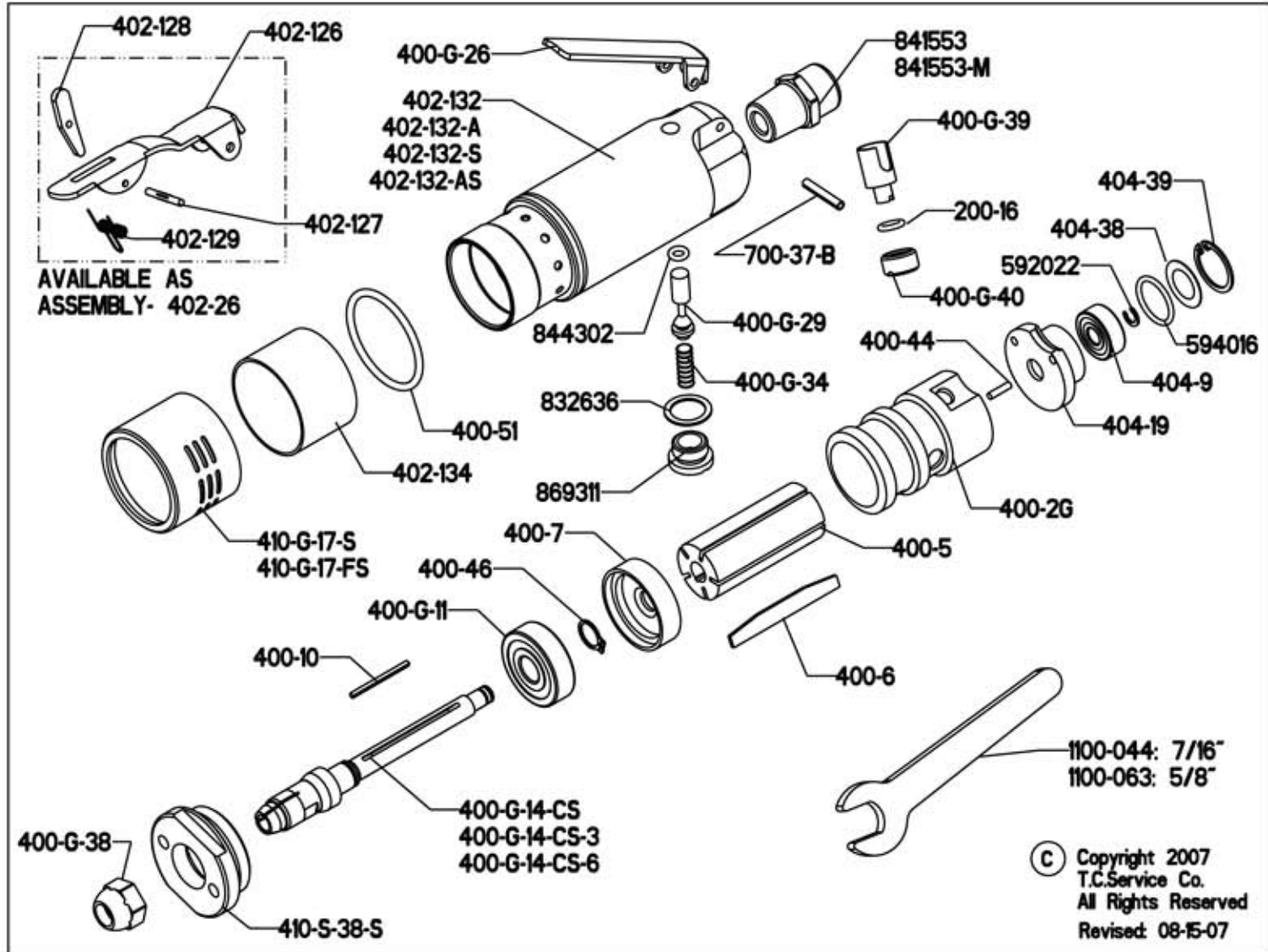


Distributed by:

Just Tools Inc.  
33A Haas Road, Toronto, On M9W 3A1  
Tel: 416-748-0707 Toll Free: 1-888-748-0707  
Fax: 416-748-0706 E-mail: [sales@pneutool.com](mailto:sales@pneutool.com)

# 40GKS

## Maintenance



# Tool Parts Listing

<u>PART</u>	<u>DESCRIPTION</u>
200-16	O-RING
400-G-11	FRONT BEARING
400-G-11A	SEALED FRONT BEARING
400-G-14-CS	COLLET SPINDLE
400-G-14-CS+3	3" EXTENDED COLLET SPINDLE
400-G-14-CS+6	6" EXTENDED COLLET SPINDLE
400-G-26	THROTTLE LEVER
400-G-29	THROTTLE VALVE-INCLUDES 844302
400-G-34	SPRING
400-G-38	COLLET NUT
400-G-39	REGULATOR
400-G-40	REGULATOR LOCK
400-2G	CYLINDER
400-2GC	CHROME CYLINDER
400-2GR	REVERSE ROTATION CYLINDER
400-5	ROTOR
400-6	BLADE (5 REQ)
400-7	FRONT ENDPLATE
400-10	KEY
400-44	ROLL PIN
400-46	SNAP RING
400-51	O-RING
402-126	SAFETY LEVER
402-127	SAFETY LEVER PIN
402-128	LOCKOUT LEVER
402-129	SAFETY LEVER SPRING
402-132	ALUMINUM CASE (SPECIFY SPEED)
402-132-A	ADJUSTABLE ALUMINUM CASE (SPECIFY SPEED)
402-132-AS	ADJUSTABLE STEEL CASE (SPECIFY SPEED)
402-132-FT	ALUMINUM FLOW THRU CASE (SPECIFY SPEED)
402-132-S	STEEL CASE (SPECIFY SPEED)
402-132-S-FT	STEEL FLOW THRU CASE (SPECIFY SPEED)
402-134	MUFFLER
404-9	REAR BEARING
404-9A	SEALED REAR BEARING
404-19	REAR ENDPLATE
404-19R	REVERSE ROTATION REAR ENDPLATE
404-38	BEARING COVER
404-39	SNAP RING
410-G-17F-S	STEEL FRONT EXHAUST SLEEVE
410-G-17-S	STEEL SIDE EXHAUST SLEEVE
410-S-38-S	STEEL MOTOR RETAINER
700-37B	THROTTLE LEVER PIN
592016	SNAP RING
594016	O-RING
832636	GASKET
841552	3/8 NPT TO 3/8 NPT BUSHING
841553	3/8 NPT TO 1/4 NPT BUSHING
841553-M	3/8 NPT TO 3/8 BSP BUSHING
844302	O-RING
869311	THROTTLE VALVE CAP

<u>PART</u>	<u>DESCRIPTION</u>
<b><u>TOOLS</u></b>	
1100-044	7/16" WRENCH
1100-063	5/8" WRENCH
1100-638	SPINDLE HOLDER
1100-806	404-9 BEARING DRIVER
1100-814	400-G-11 BEARING DRIVER
541134	REGULATOR LOCK WRENCH

<b><u>ASSEMBLIES</u></b>	
510240	REPAIR KIT
402-26	SAFETY LEVER ASSY.
AA-402-132	ALUMINUM CASE ASSY.
AA-402-132-A	ADJUSTABLE ALUMINUM CASE ASSY.
AA-402-132-AK	ADJUSTABLE ALUMINUM SAFETY CASE ASSY.
AA-402-132-AS	ADJUSTABLE STEEL CASE ASSY.
AA-402-132-ASK	ADJUSTABLE STEEL SAFETY CASE ASSY.
AA-402-132-K	ALUMINUM SAFETY CASE ASSY.
AA-402-132-S	STEEL CASE ASSY.
AA-402-132-SK	STEEL SAFETY CASE ASSY. SPECIFY SPEED FOR CASE ASSY.

<b><u>ACCESSORIES</u></b>	
300-16	1/4" TO 1/8" COLLET ADAPTER
300-16-3/32	1/4" TO 3/32" COLLET ADAPTER
530196	1/8" ROUNDED TAPER BURR
530198	1/8" TAPER BURR
530200	1/8" FLAME BURR
530202	1/8" BALL BURR
530204	1/8" CYLINDRICAL BURR
530208	1/4" BALL BURR
530210	1/4" CYLINDRICAL BURR
530212	1/4" TREE BURR
530214	1/4" FLAME BURR
	OTHER SIZES AVAILABLE