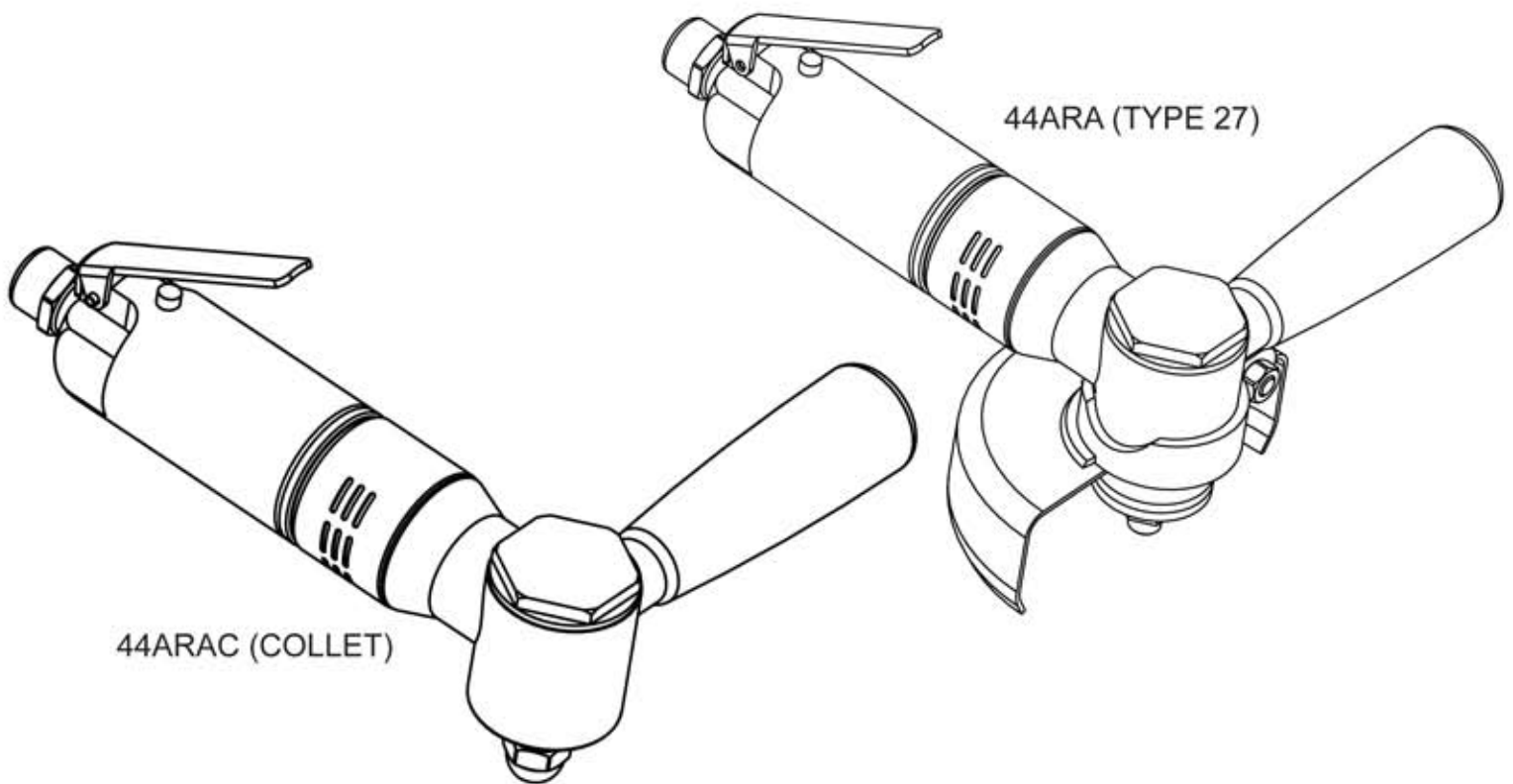


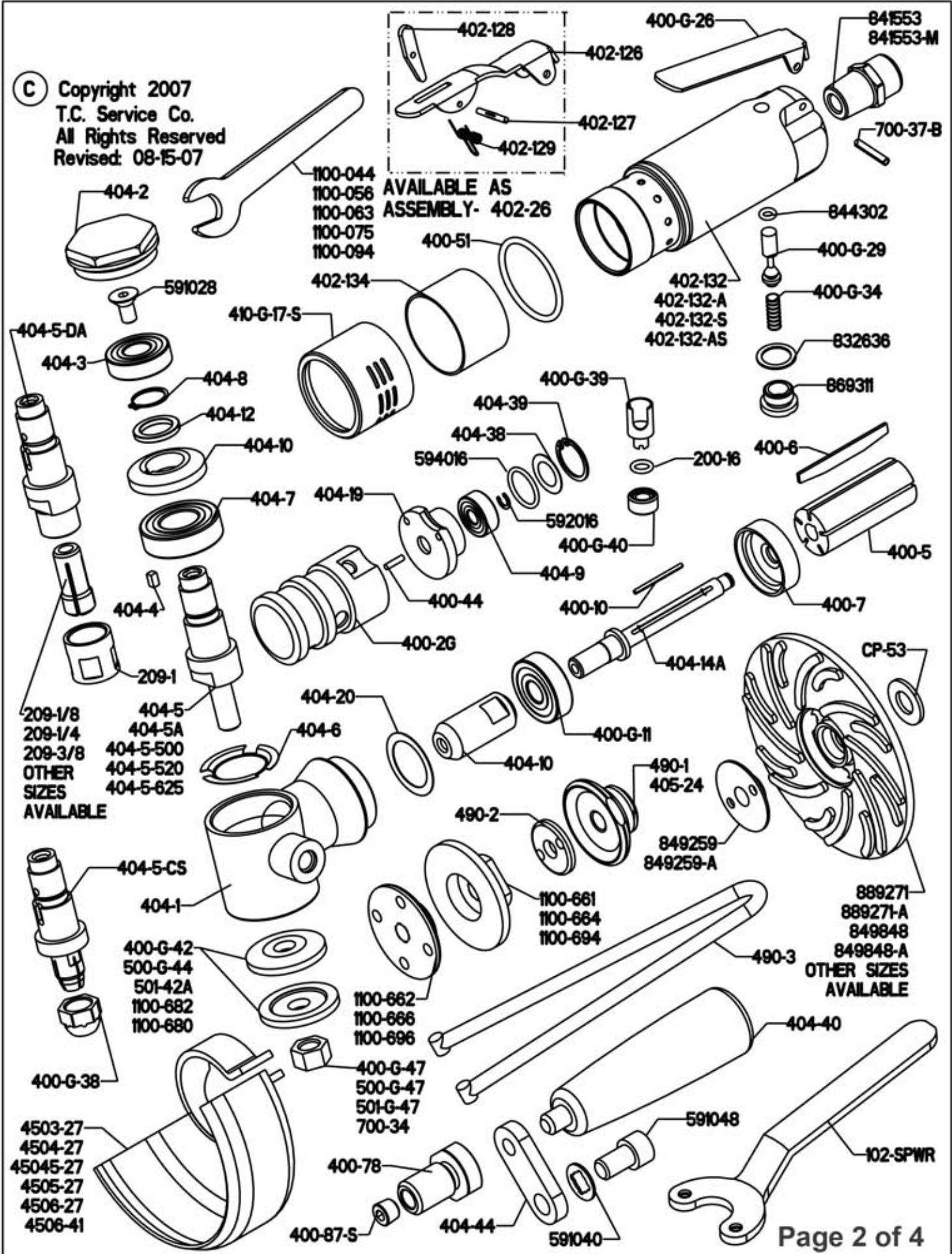
### Breakdown



# 44-ARA

© Copyright 2007  
T.C. Service Co.  
All Rights Reserved  
Revised: 08-15-07

AVAILABLE AS  
ASSEMBLY- 402-26



209-1/8  
209-1/4  
209-3/8  
OTHER  
SIZES  
AVAILABLE

400-G-42  
500-G-44  
501-42A  
1100-682  
1100-680

1100-662  
1100-666  
1100-696  
400-G-47  
500-G-47  
501-G-47  
700-34

849259  
849259-A

889271  
889271-A  
849848  
849848-A  
OTHER SIZES  
AVAILABLE

4503-27  
4504-27  
45045-27  
4505-27  
4506-27  
4506-41

# Tool Parts Listing

<u>PART</u>	<u>DESCRIPTION</u>	<u>PART</u>	<u>DESCRIPTION</u>
200-16	O-RING	402-132-A	ADJUSTABLE ALUMINUM CASE (SPECIFY SPEED)
209-1	COLLET NUT	402-132-AS	ADJUSTABLE STEEL CASE (SPECIFY SPEED)
209-1/8	1/8" INSERT	402-132-FT	ALUMINUM FLOW THRU CASE (SPECIFY SPEED)
209-3/16	3/16" INSERT	402-132-S	STEEL CASE (SPECIFY SPEED)
209-1/4	1/4" INSERT	402-132-S-FT	STEEL FLOW THRU CASE (SPECIFY SPEED)
209-5/16	5/16" INSERT	402-134	MUFFLER
209-3/8	3/8" INSERT	404-1	ANGLE HEAD
209-3MM	3MM INSERT	404-2	BEARING CAP
209-6MM	6MM INSERT	404-3	UPPER OUTPUT SPINDLE BEARING
209-8MM	8MM INSERT	404-4	KEY
400-G-11	FRONT BEARING	404-5	3/8-24 X .980 OUTPUT SPINDLE
400-G-11A	SEALED FRONT BEARING	404-5-A3/8-24 X	.580 OUTPUT SPINDLE
400-G-26	THROTTLE LEVER	404-5-CS	COLLET OUTPUT SPINDLE
400-G-29	THROTTLE VALVE-INCLUDES 844302	404-5-DA	ERICKSON COLLET SPINDLE
400-G-34	SPRING	404-5-500	1/2-13 X .980 OUTPUT SPINDLE
400-G-38	COLLET NUT	404-5-520	1/2-20 X .980 OUTPUT SPINDLE
400-G-39	REGULATOR	404-5-625	5/8-11 X .980 OUTPUT SPINDLE
400-G-40	REGULATOR LOCK	404-6	FINGER WASHER
400-G-42	3/8 I.D. FLANGE (2"-3" WHEELS)	404-7	LOWER OUTPUT SPINDLE BEARING
400-G-47	3/8-24 JAM NUT	404-8	SNAP RING
400-10	KEY	404-9	REAR MOTOR BEARING
400-44	ROLL PIN	404-9A	SEALED REAR BEARING
400-2G	CYLINDER	404-10	GEAR SET
400-2GC	CHROME CYLINDER	404-12	SPACER RING
400-5	ROTOR	404-14A	SPINDLE
400-6	BLADE (5 REQ.)	404-19	REAR ENDPLATE
400-7	FRONT ENDPLATE	404-20	MOTOR SPACER
400-51	O-RING	404-38	BEARING COVER
402-126	SAFETY LEVER		
402-127	SAFETY LEVER PIN		
402-128	LOCKOUT LEVER		
402-129	SAFETY LEVER SPRING		
402-132	ALUMINUM CASE (SPECIFY SPEED)		
404-39	SNAP RING		
404-40	DEAD HANDLE		
404-44	DEAD HANDLE OFFSET		
410-G-17F-S	STEEL FRONT EXHAUST SLEEVE		
410-G-17-S	STEEL SIDE EXHAUST SLEEVE		
500-G-44	3/8 I.D. FLANGE (4"-5" WHEELS)		
500-G-47	1/2-13 JAM NUT		
501-G-47	1/2-20 JAM NUT		
501-42A	1/2" I.D. FLANGE		
700-34	5/8-11 JAM NUT		
700-37B	THROTTLE LEVER PIN		
1100-680	5/8 I.D. FLANGE (6" OR SMALLER WHEELS)		
1100-682	3/8 I.D. FLANGE (5"-6" WHEELS)		
591028	SCREW		
591040	WASHER		
591048	SCREW		
592016	SNAP RING		
		<b>ASSEMBLIES</b>	
		<u>PART</u>	<u>DESCRIPTION</u>
		510120	REPAIR KIT
		402-26	SAFETY LEVER ASSY.
		AA-402-132	ALUMINUM CASE ASSY.
		AA-402-132-A	ADJUSTABLE ALUMINUM CASE ASSY.
		AA-402-132-AK	ADJUSTABLE ALUMINUM SAFETY CASE ASSY.
		AA-402-132-AS	ADJUSTABLE STEEL CASE ASSY.
		AA-402-132-ASK	ADJUSTABLE STEEL SAFETY CASE ASSY.
		AA-402-132-K	ALUMINUM SAFETY CASE ASSY.
		AA-402-132-S	STEEL CASE ASSY.
		AA-402-132-SK	STEEL SAFETY CASE ASSY.
			(SPECIFY SPEED FOR CASE ASSY.)

# Tool Parts Listing

594016	O-RING
832636	GASKET
841552	3/8 NPT TO 3/8 NPT BUSHING
841553	3/8 NPT TO 1/4 NPT BUSHING
841553-M	3/8 NPT TO 3/8 BSP BUSHING
844302	O-RING
869311	THROTTLE VALVE CAP

## GUARDS

<u>PART</u>	<u>DESCRIPTION</u>
4503-27	3" TYPE 27 GUARD
4504-27	4" TYPE 27 GUARD
45045-27	4-1/2" TYPE 27 GUARD
4505-27	5" TYPE 27 GUARD
4506-41	6" TYPE 41 GUARD
4506-CF	6" CLOSED FACE GUARD

## TOOLS

<u>PART</u>	<u>DESCRIPTION</u>
490-3	PIN SPANNER
102-SPWR	WRENCH FOR SANDING PAD NUT
1100-044	7/16" WRENCH
1100-056	9/16" WRENCH
1100-063	5/8" WRENCH
1100-075	3/4" WRENCH
1100-094	15/16" WRENCH
1100-638	SPINDLE HOLDER
1100-806	404-9 BEARING DRIVER
1100-814	400-G-11 BEARING DRIVER
1100-824	GREASE GUN
1100-826	14 OZ. TUBE OF GREASE
1100-836	GREASE GUN (USE WITH 1100-838)
1100-838	4 OZ. TUBE OF GREASE
541134	REGULATOR LOCK WRENCH
AA-1100-836	GREASE GUN WITH 4 OZ. TUBE OF GREASE

## ACCESSORIES

<u>PART</u>	<u>DESCRIPTION</u>
CP-53	WASHER
300-16	1/8" COLLET ADAPTER
300-16-3/32	1/4" TO 3/32" COLLET ADAPTER
400-78	3/8-24 TO 5/8-11 ADAPTER
400-78-S	3/8-24 x 1/4 SET SCREW
405-24	BACKING PLATE FOR 490-KR
490-K	3/8-24 X .980 TYPE 27 ADAPTER ASSY.
490-KR	3/8-24 X .580 TYPE 27 ADAPTER ASSY.
490-1	BACKING PLATE FOR 490-K
490-2	NUT FOR 490-K & 490-KR
1100-660	3/8-24 TO 5/8 I.D. TYPE 27 ADAPTER ASSY.
1100-661	3/8-24 TO 5/8 I.D. BACKING PLATE
1100-662	3/8-24 TO 5/8 I.D. ADAPTER NUT
1100-664	3/8-24 TO 7/8 I.D. BACKING PLATE
1100-666	3/8-24 TO 7/8 I.D. ADAPTER NUT
1100-668	3/8-24 TO 7/8 I.D. TYPE 27 ADAPTER ASSY.
1100-692	5/8-11 TO 7/8 I.D. TYPE 27 ADAPTER ASSY.
1100-694	5/8-11 TO 7/8 I.D. BACKING PLATE
1100-696	5/8-11 TO 7/8 I.D. ADAPTER NUT
849259	5/8-11 SANDING PAD NUT
849259-A	3/8-24 SANDING PAD NUT
889271	5/8-11 4" SANDING PAD (MAX 12000 RPM)
889271-A	3/8-24 4" SANDING PAD (MAX 12000 RPM)
849848	5/8-11 5" SANDING PAD (MAX 10000 RPM)
849848-A	3/8-24 5" SANDING PAD (MAX 10000 RPM)