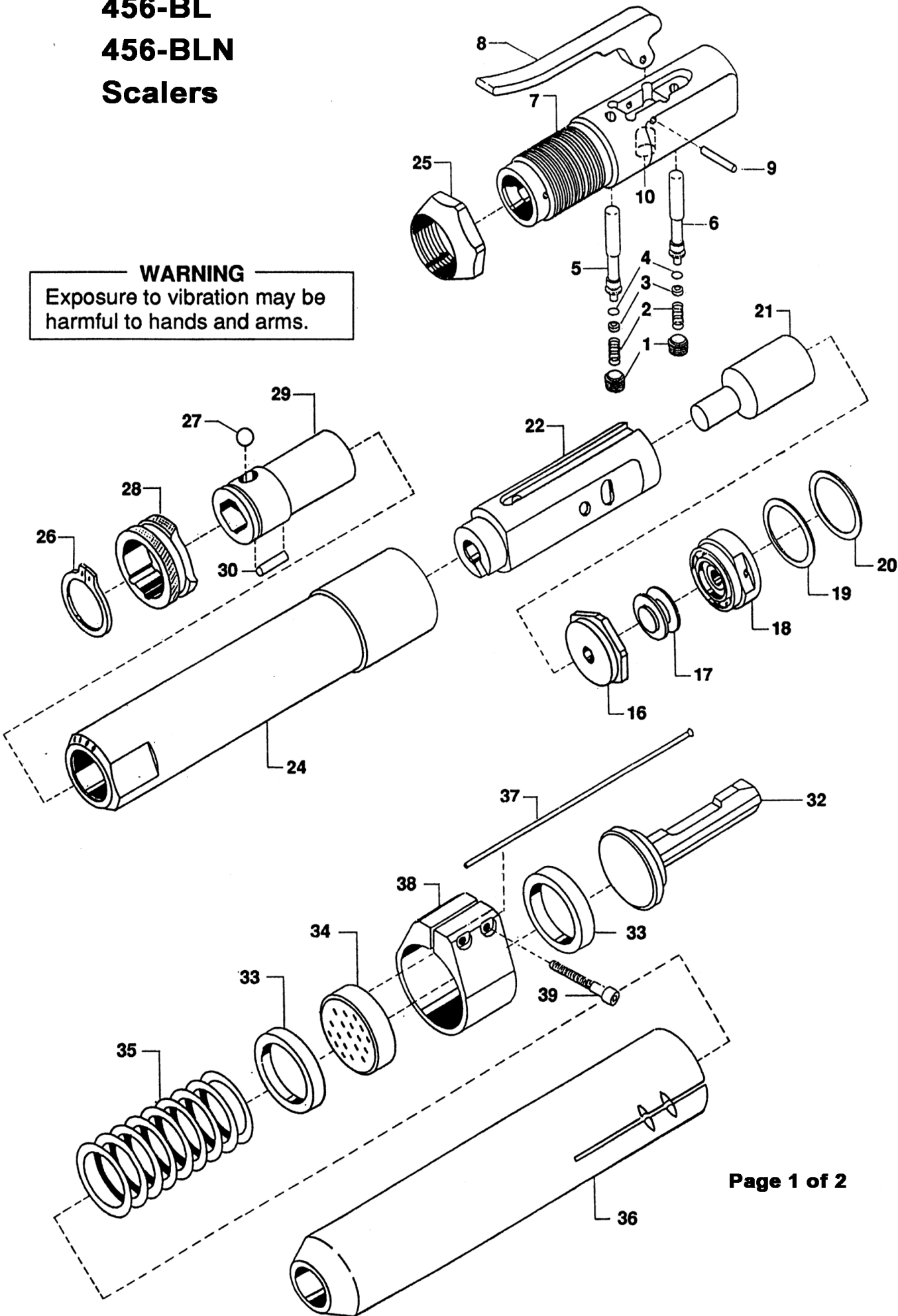


456-BL
456-BLN
Scalers

WARNING
Exposure to vibration may be harmful to hands and arms.



PATCO

456-BL & 456-BLN Scales

Parts List

MODEL NUMBER	DESCRIPTION	QTY	PATCO PART NO.	REF. C.P. NO.
1.	Plug - Valve	2	S-4876	P-009876
2.	Spring Valve	2	S-4585	P-091585
3.	Cap - "O" Ring	2	S-4584	P-091584
4.	"O" Ring	2	S-4076	P-083076
5.	Throttle Valve	1	S-4582	P-091582
6.	Blower Valve	1	S-4583	P-091583
7.	Backhead Model "B" Blower Type	1	S-4311	P-113310
8.	Throttle Lever - Blower Type	1	S-4042	P-084042
9.	Pin - Throttle Lever	1	S-4043	P-084043
10.	Plug - Air Inlet Blower Type	1	S-4799	C-068799
15.	Allen Wrench (Not Shown)	1	S-4320	P-070320
16.	Case Valve Cycling	1	S-4034	P-084034
17.	Valve Cycling	1	S-4310	P-043310
18.	Lid	1	S-4309	P-043309
19.	Shim .005	1	S-4037	P-084037
20.	Shim .010	1	S-4038	P-084038
21.	Piston	1	S-4033	P-084033
22.	Sleeve - Cylinder	1	S-4557	P-041557
24.	Cylinder (Inc. sleeve) Model "B"	1	S-4312	P-0113312
25.	Locknut Backhead Model "B"	1	S-4271	P-109271
26.	Retaining Ring	1	S-4934	P-050934
27.	Steel Ball	1	S-4416	P-070416
28.	Ring Chisel Lock	1	S-4813	P-088813
29.	Sleeve - Chisel 1/2" Q.O.	1	S-4933	P-050933
30.	Lock Rubber	1	S-4815	P-088815
32.	Anvil	1	S-4144	P-100144
33.	Buffer	2	S-4964	P-100964
34.	Needle Holder	1	S-4145	P-100145
35.	Needle Spring	1	S-4150	P-100150
36.	Needle Housing (Round Nose)	1	S-4630	P-117630
37.	Needle Set 7" 19 Steel Needles	1	S-4146	P-100146
38.	Clamp - Needle Housing	1	S-4632	P-117632
39.	Screw - Clamp	2	S-4633	P-117633
40.	Allen Wrench (Not Shown)	1	S-4493	P-070483

Part # Description

S-4727

Head Block Assembly (Includes Index No.'s 1, 2, 3, 4, 5, 6, 7, 8, 9, 10)

S-4105

7" Needle Attachment with Round Housing (Includes Index No.'s 32, 33, 34, 35, 36, 37, 38, 39)

Page 2 of 2

Just Tools Inc.

33a Haas Road, Toronto, On. M9W 3A1 Tel: 416-748-0707 Fax: 416-748-0706 1-888-748-0706
E-mail: sales@justtools.com