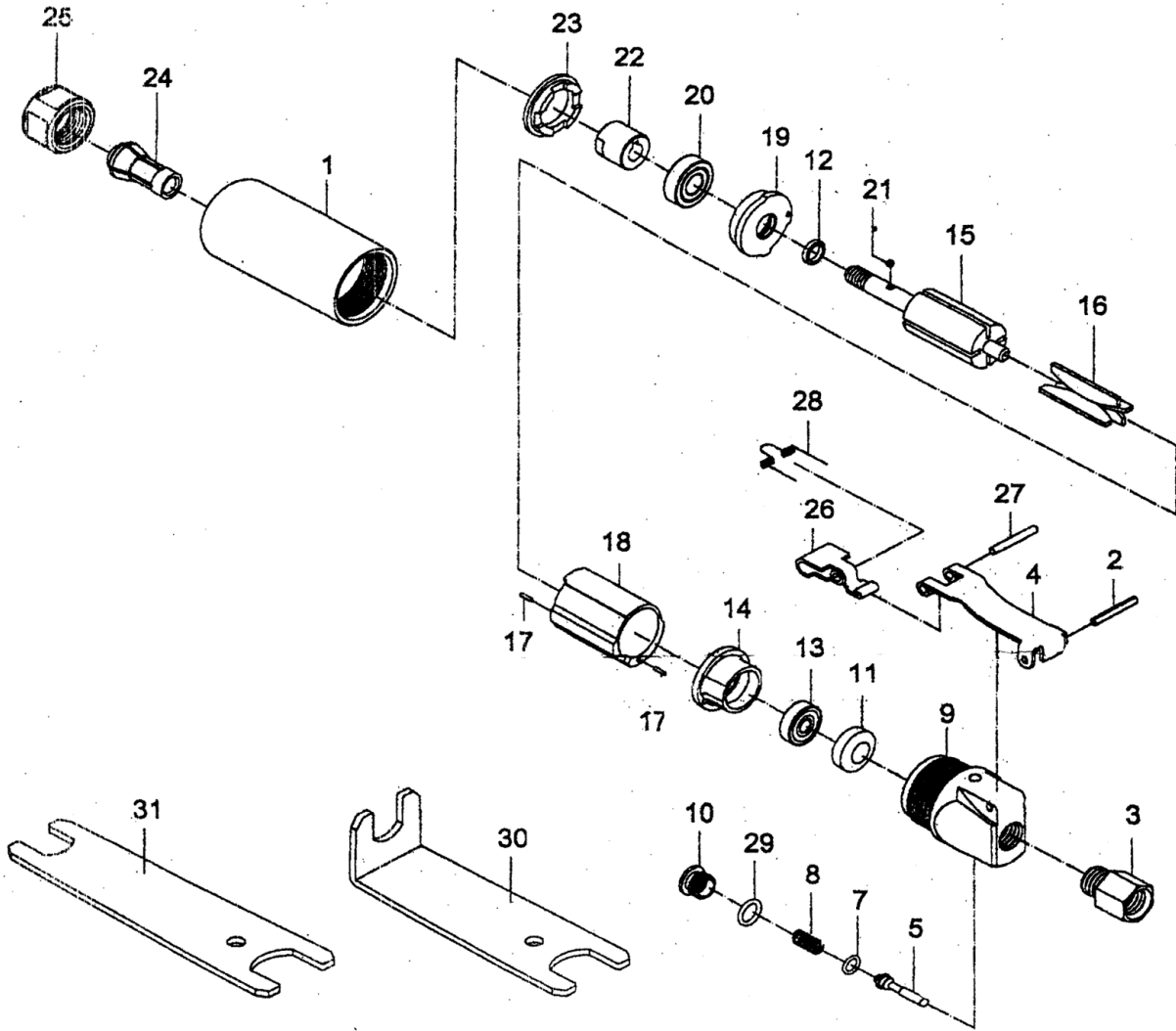


501 1/4" Die Grinder



Index No.	Parts No.	Description	Index No.	Parts No.	Description
1	50101	Rotor Case	17	30117	Lock Pin(2) (Ø1.5*6L)
2	50102	Spring Pin (Ø3*22L)	18	30118	Cylinder
3	50103	Air Inlet	19	50119C	Bottom Plate
4	50104	Lever	20	030120	Ball Bearing (608ZZ)
5	30105	Throttle Valve	21	40145	Steel Ball (1/8")
7	30107	O-Ring (Ø3.8*1.9)	22	50122	Collet Washer
8	30108	Throttle Spring	23	50123	Collar
9	50109	Handle	24	51224	Collet Body (1/4")
10	30110	Plug	25	51225	Collet Nut
11	30111	End Cap Plate	26	50126	Safety Lever
12	50112	Rotor Bushing	27	50127	Spring Pin (Ø3.5*20L)
13	030113	Ball Bearing	28	50128	Safety Lever Spring
14	30114	Top Plate	29	30109	O-Ring (Ø8.8*1.9)
15	50115C	Rotor	30	51227	Angle Double Ended Spanner
16	30116	Vane (4)	31	51228	Double Ended Spanner