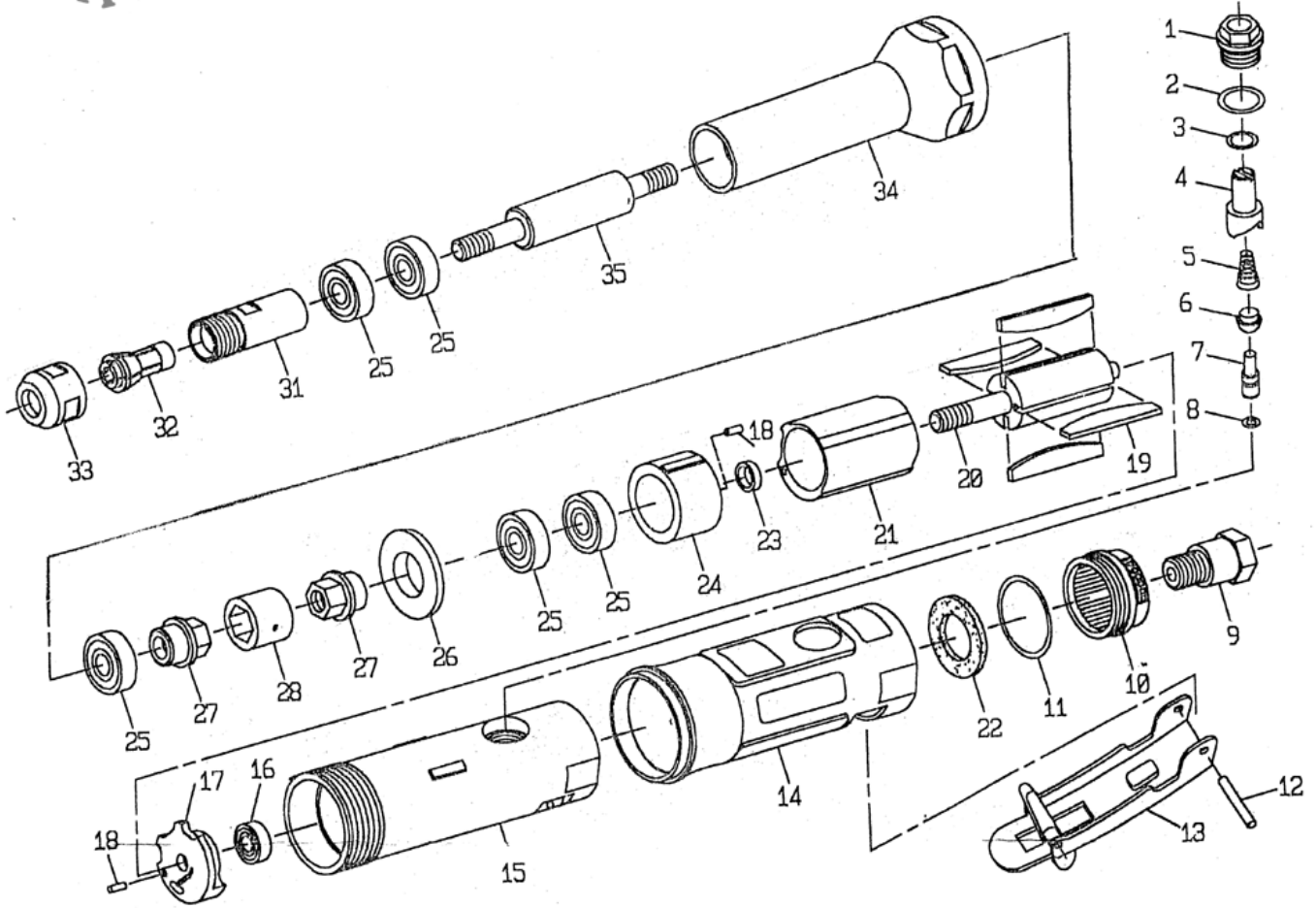




# JUST TOOLS INC.

## 5120-E 1/4" Ext. Die Grinder



<b>TECHNICAL DATA</b>	Collet Size	: 1/4" (6 mm)
	Weight	: 0.82 kg
	Length	: 11" (280 mm)
	RPM	: 22,000
	Air Inlet	: 1/4"
	Min. Hose Size	: 3/8"
	Avg. Air Cons	: 3 CFM

### PARTS LIST

Index #	Part #	Description	Index #	Part #	Description
1.	ZE-26-01	Screw	17.	ZE-26-17	Rear Plate
2.	ZE-26-02	O-Ring	18.	ZE-26-18	Pin (2)
3.	ZE-26-03	O-Ring	19.	ZE-26-19	Rotor Blade (4)
4.	ZE-26-04	Air Regulator	20.	ZDG-1-20	Rotor
5.	ZE-26-05	Spring	21.	ZE-26-21	Cylinder
6.	ZE-26-06	Valve Stem Bushing	22.	ZE-26-22	Cone Muffler
7.	ZE-26-07	Valve Stem	23.	ZDG-1-23	Bearing Spacer
8.	ZE-26-08	O-Ring	24.	ZDG-1-24	Front Plate
9.	ZE-26-09	Air Inlet	25.	ZDG-1-25	Bearing (5)
10.	ZE-26-10	Exhaust Sleeve	26.	ZDG-1-26	Washer
11.	ZE-26-11	O-Ring	27.	ZDG-3-27	Coupling Nut
12.	ZE-26-12	Pin	28.	ZDG-3-28	Coupling
13.	ZDG-1-13	Lever	31.	ZDG-1-31	Spindle
14.	ZE-26-14	Protecting Rubber	32.	ZDG-1-32	Collet
15.	ZE-26-15	Housing	33.	ZDG-1-33	Collet Nut
16.	ZE-26-16	Bearing	34.	ZDG-3-34	Spindle Housing