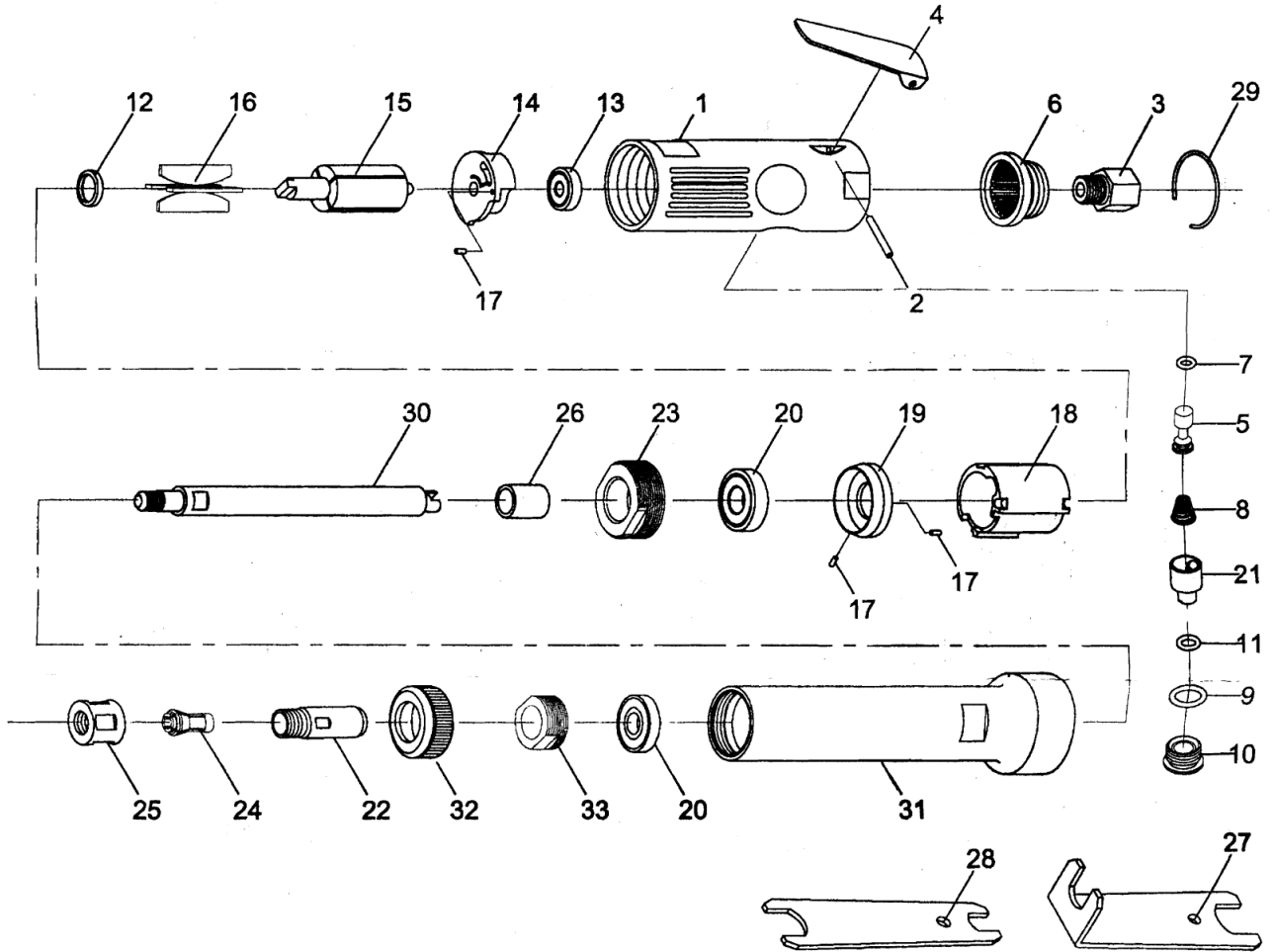


512-E Extended Die Grinder



Index No.	Parts No.	Description	Index No.	Parts No.	Description
1	51201	Motor Housing	18	70118	Cylinder
2	30102	Spring Pin (Ø3*24L)	19	51219	Front End Plate
3	51203	Air Inlet	20	051220	Ball Bearing (6000ZZ)
4	51204	Throttle Lever	21	51221	Air Regulator
5	51705	Valve Stem	22	51222	Spindle
6	51206	Exhaust Diffuser	23	51223E	Retainer
7	70107	O-Ring (Ø4.8*Ø1.9)	24	51224	Collet
8	51208	Valve Spring	25	51225	Collet Nut
9	70123	O-Ring (Ø11.8*Ø2.4)	26	51226E	Coupling
10	51210	Throttle Valve Plug	27	51227	Angle Double Ended Spanner
11	40305	O-Ring (Ø6.5*Ø2)	28	51228	Double Ended Spanner
12	51212	Rotor Bush	29	51229	Retainer Ring
13	030113	Ball Bearing (626ZZ)	30	51230E	Extension Bar
14	51214	Rear End Plate	31	51231E	Extension Housing
15	51215E	Rotor	32	51232E	Cap
16	51216	Rotor Blades (4)	33	51233E	Retainer
17	70117	Spring Pin (3) (Ø2*5L)			