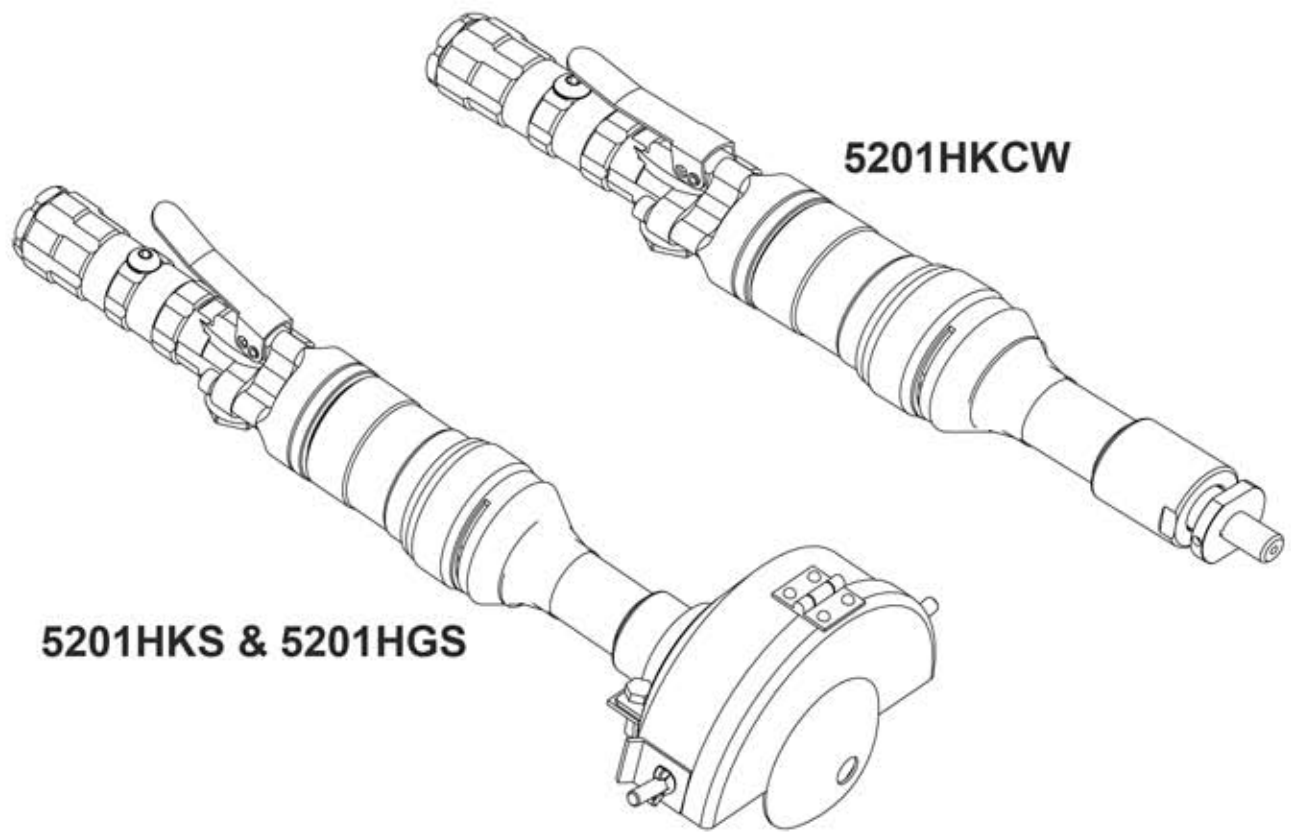




5201 Series Horizontal Grinders

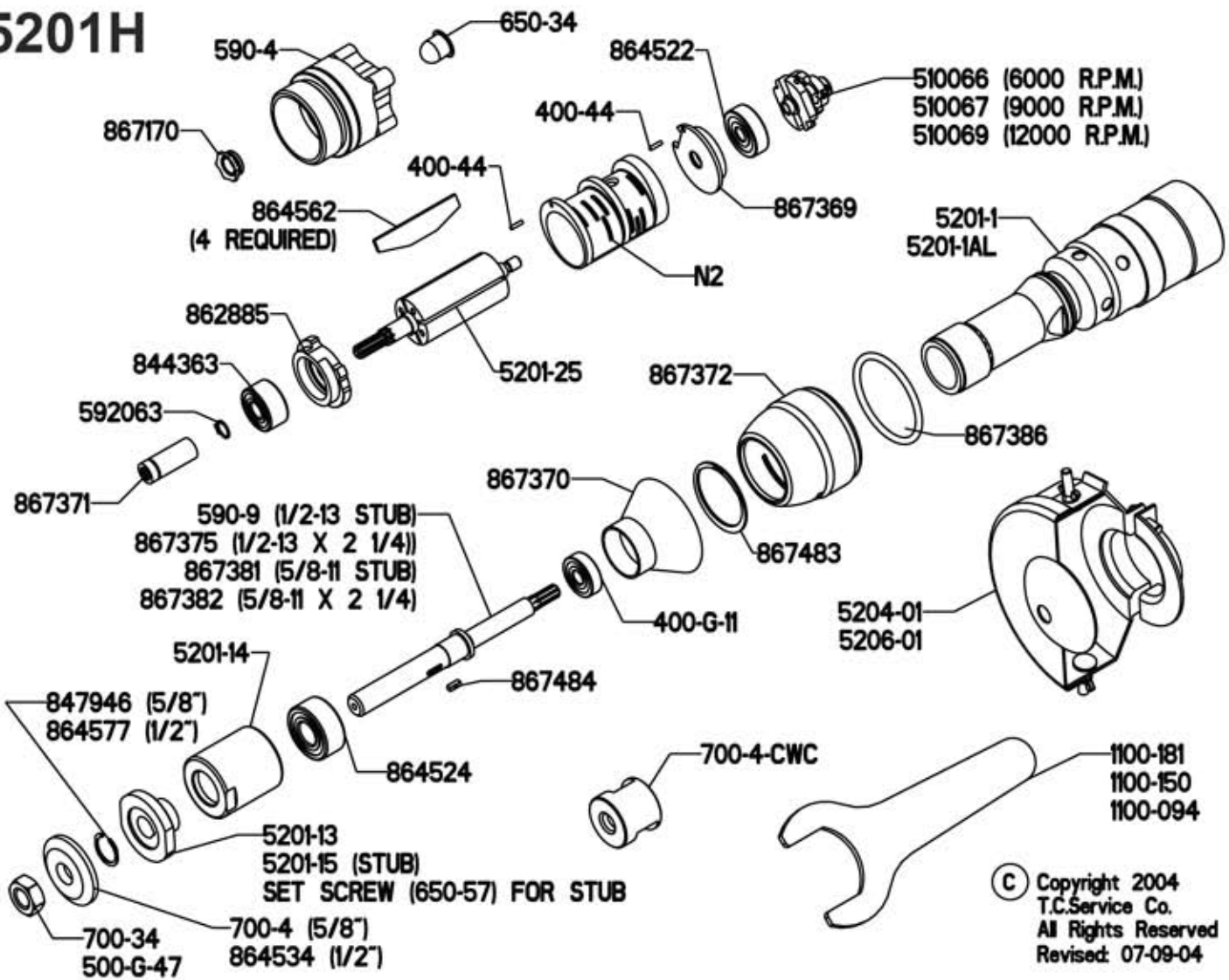


Page 1 of 5

Distributed by:
Just Tools Inc.
33A Haas Road, Toronto, On M9W 3A1
Tel: 416-748-0707 Toll Free: 1-888-748-0707
Fax: 416-748-0706 E-mail: sales@justools.com

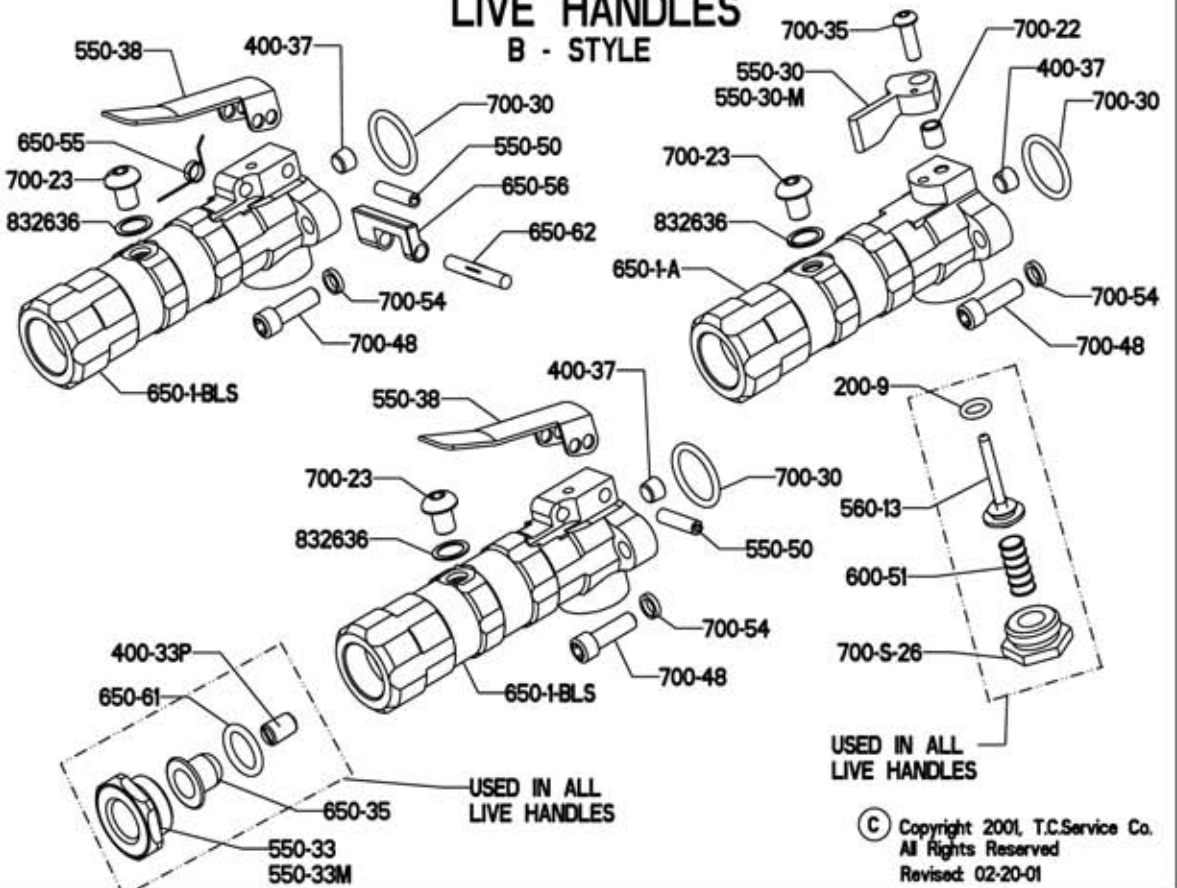
Maintenance

5201H

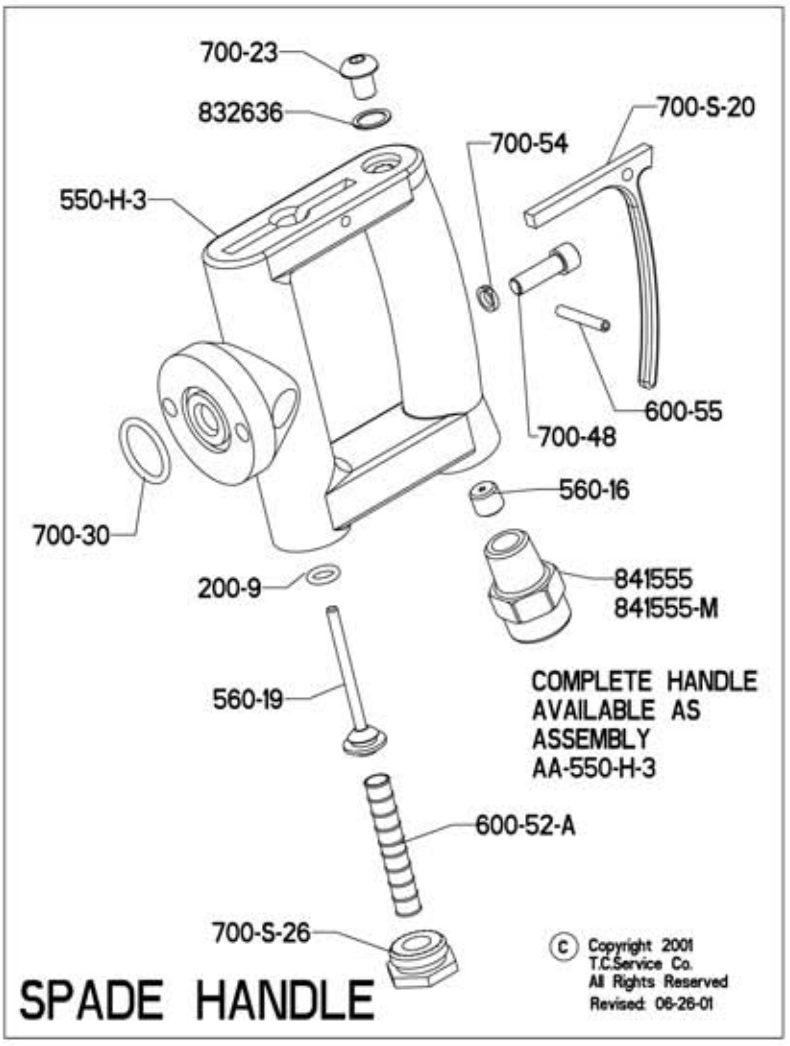


© Copyright 2004
 T.C. Service Co.
 All Rights Reserved
 Revised: 07-09-04

LIVE HANDLES B - STYLE



© Copyright 2001, T.C.Service Co.
All Rights Reserved
Revised: 02-20-01



SPADE HANDLE

© Copyright 2001
T.C.Service Co.
All Rights Reserved
Revised: 06-26-01

Tool Parts Listing

<u>PART NUMBER</u>	<u>DESCRIPTION</u>
400-44	CYLINDER PIN
400-G-11	BEARING
500-G-47	1/2-13 NUT
590-4	BACKHEAD
590-9	1/2-13 CONE WHEEL SPINDLE
650-34	SCREEN BASKET
650-57	SET SCREW
700-4	FLANGE
700-34	5/8-11 NUT
5201-1	STEEL CASE
5201-1-AL	ALUMINUM CASE
5201-13	TYPE 1 DRIVE FLANGE
5201-15	CONE WHEEL FLANGE
5201-25	ROTOR/SPINDLE
592063	SNAP RING
844363	BEARING
847946	5/8 INCH SNAP RING
862885	FRONT ENDPLATE
864522	BEARING
864524	BEARING
864534	FLANGE
864562	BLADE (4 REQUIRED)
864577	1/2 INCH SNAP RING
867170	GOVERNOR SEAT
867369	REAR ENDPLATE
867370	PROTECTIVE COVER
867371	COUPLING
867372	EXHAUST SLEEVE
867375	1/2-13 TYPE 1 SPINDLE
867381	5/8-11 CONE WHEEL SPINDLE
867382	5/8-11 TYPE 1 SPINDLE
867386	O-RING
867483	RETAINING RING
867484	KEY
N2	CYLINDER

GUARDS

<u>PART NUMBER</u>	<u>DESCRIPTION</u>
5204-01	4 INCH TYPE 1 WHEEL GUARD
5206-01	6 INCH TYPE 1 WHEEL GUARD

<u>TOOLS</u>	<u>PART NUMBER</u>	<u>DESCRIPTION</u>
	1100-094	15/16" WRENCH
	1100-150	1 1/2" WRENCH
	1100-181	1 13/16" WRENCH
	1100-810	SPINDLE HOLDER
	1100-832	GOVERNOR WRENCH

ASSEMBLIES

<u>PART NUMBER</u>	<u>DESCRIPTION</u>
510012	REPAIR KIT
AA-550-H-3	SPADE HANDLE ASSY.
AA-650-1A	BUTTON HANDLE ASSY.
AA-650-1-AM	MACHINE MOUNT HANDLE ASSY.
AA-650-1-BL	LEVER HANDLE ASSY.
AA-650-1-BLS	SAFETY HANDLE ASSY.
AA-650-1 BL-KN	KNURLED LEVER HANDLE ASSY.
AA-650-1-BL-KN-W	KNURLED LEVER HANDLE ASSY. W/ WRAP
AA-650-1-UK	PINNED/SAFETY LEVER HANDLE ASSY.
AA-650-1-UL	PINNED LEVER HANDLE ASSY.

ACCESSORIES

<u>PART NUMBER</u>	<u>DESCRIPTION</u>
700-4-CWC	CONE WHEEL ADAPTER
1100-346	1 INCH FLAP WHEEL ADAPTER
1100-347	4 INCH FLAP WHEEL ADAPTER
1100-348	2 INCH FLAP WHEEL ADAPTER
1100-349	3 INCH FLAP WHEEL ADAPTER

GOVERNORS

<u>PART NUMBER</u>	<u>DESCRIPTION</u>
510066	GOV.ASSY. (6000 RPM)
510067	GOV.ASSY. (9000 RPM)
510069	GOV.ASSY. (12,000 RPM)

• ALWAYS USE SAME OR LOWER SPEED GOVERNOR AS IS STAMPED ON CASE

Governors

*The governors are warranted for the life of the tool. (Except in cases of abuse)
Please return the governor to the manufacturer for warranty repair or replacement.*

Note: Use of any parts other than genuine Top Cat® parts voids any and all warranties, and may result in a hazardous situation and a decrease in operating efficiency.

Live Handle Parts Listing

<u>PART NUMBER</u>	<u>DESCRIPTION</u>	<u>HANDLE ASSEMBLIES</u>	
		<u>PART NUMBER</u>	<u>DESCRIPTION</u>
200-9	THROTTLE VALVE O-RING	AA-650-1A	BUTTON HANDLE ASSY.
400-33P	OILER PLUG	AA-650-1-AM	MACHINE MOUNT HANDLE ASSY.
400-37	SET SCREW	AA-650-1-BL	LEVER HANDLE ASSY.
550-30	OPERATING BUTTON	AA-650-1-BLS	SAFETY HANDLE ASSY.
550-30M	MACHINE MOUNT BUTTON	AA-650-1 BL-KN	KNURLED LEVER HANDLE ASSY.
550-33	ADAPTER CAP	AA-650-1-BL-KN-W	KNURLED LEVER HANDLE ASSY. W/ WRAP
550-33M	METRIC ADAPTER CAP	AA-650-1-UK	PINNED/SAFETY LEVER HANDLE ASSY
550-38	LEVER	AA-650-1-UL	PINNED LEVER HANDLE ASSY
550-50	LEVER PIN		
560-13	THROTTLE VALVE ASSY (INCLUDES 200-9)		
600-51	THROTTLE VALVE SPRING		
650-1A	BARE BUTTON HANDLE		
650-1AT	BARE TURNED DOWN BUTTON HANDLE		
650-1B-KN	BARE KNURLED BUTTON HANDLE		
650-1-BLS	BARE LEVER HANDLE		
650-1-BLS-KN	BARE KNURLED SAFETY HANDLE		
650-1-U	BARE PINNED LEVER HANDLE		
650-35	SCREEN BASKET		
650-55	SAFETY LOCKOUT SPRING		
650-56	LOCKOUT		
650-61	O-RING		
650-62	SAFETY LEVER LOCKOUT PIN		
700-22	SPACER FOR BUTTON HANDLES		
700-23	OILER PLUG SCREW		
700-30	O-RING		
700-35	BUTTON HANDLE SCREW		
700-48	SCREW (2 REQ.)		
700-54	LOCK WASHER (2 REQ.)		
700-S-26	THROTTLE VALVE CAP		
832636	GASKET		

Spade Handle Parts Listing

<u>PART NUMBER</u>	<u>DESCRIPTION</u>
200-9	THROTTLE VALVE O-RING
550-H-3	BARE SPADE HANDLE HOUSING
560-16	SET SCREW
560-19	THROTTLE VALVE (INCLUDES O-RING 200-9)
600-52A	THROTTLE VALVE SPRING
600-55	TRIGGER PIN
700-23	SCREW
700-30	O-RING
700-48	SCREW (2 REQ.)
700-54	LOCK WASHER (2 REQ.)
700-S-20	TRIGGER
700-S-26	THROTTLE VALVE CAP
832636	GASKET
841553	1/2 INCH NPT X 1/2 INCH NPT SCREEN HANDLE BUSHING
841553-M	1/2 INCH NPT X 1/2 INCH BSP SCREEN HANDLE BUSHING

HANDLE ASSEMBLIES

<u>PART NUMBER</u>	<u>DESCRIPTION</u>
AA-550-H-3	SPADE HANDLE ASSY.