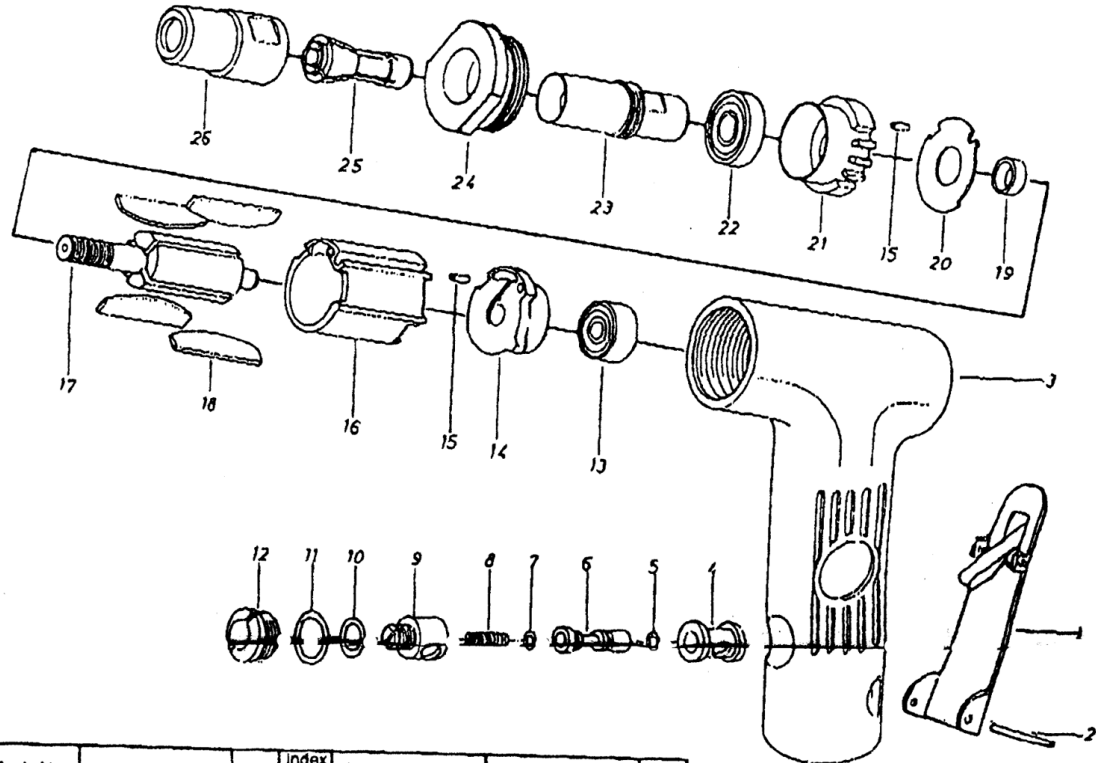


529 ANGLE HEAD DIE GRINDER



Index No	Part No	Description	Q'ty	Index No	Part No	Description	Q'ty
01	0308A001	Throttle Lever	1	17	0308A017	Rotor	1
02	0308A002	Spring Pin	1	18	0308A018	Blade	1
03	0308A003	Housing	1	19	0308A019	Collar	1
04	0308A004	Valve Bushing	1	20	0308A020	Steel Plate	1
05	0308A005	O-Ring	1	21	0308A021	Front Plate	1
06	0308A006	Valve Stem	1	22	0308A022	Bearing	1
07	0308A007	O-Ring	1	23	0308A023	Spindle	1
08	0308A008	Valve Spring	1	24	0308A024	Lock Ring	1
09	0308A009	Air Controller	1	25	0308A025	Collet	1
10	0308A010	O-Ring	1	26	0308A026	Collet Nut	1
11	0308A011	O-Ring	1	27	0308A027	Exhaust Sleeve	1
12	0308A012	Valve Screw	1	28	0308A028	O-Ring	1
13	0308A013	Bearing	1	29	0308A029	Air Inlet	1
14	0308A014	End Plate	1	30	0308A030	Wrench(11mm)	1
15	0308A015	Pin	2	31	0308A031	Wrench(17mm)	1
16	0308A016	Cylinder	1				

