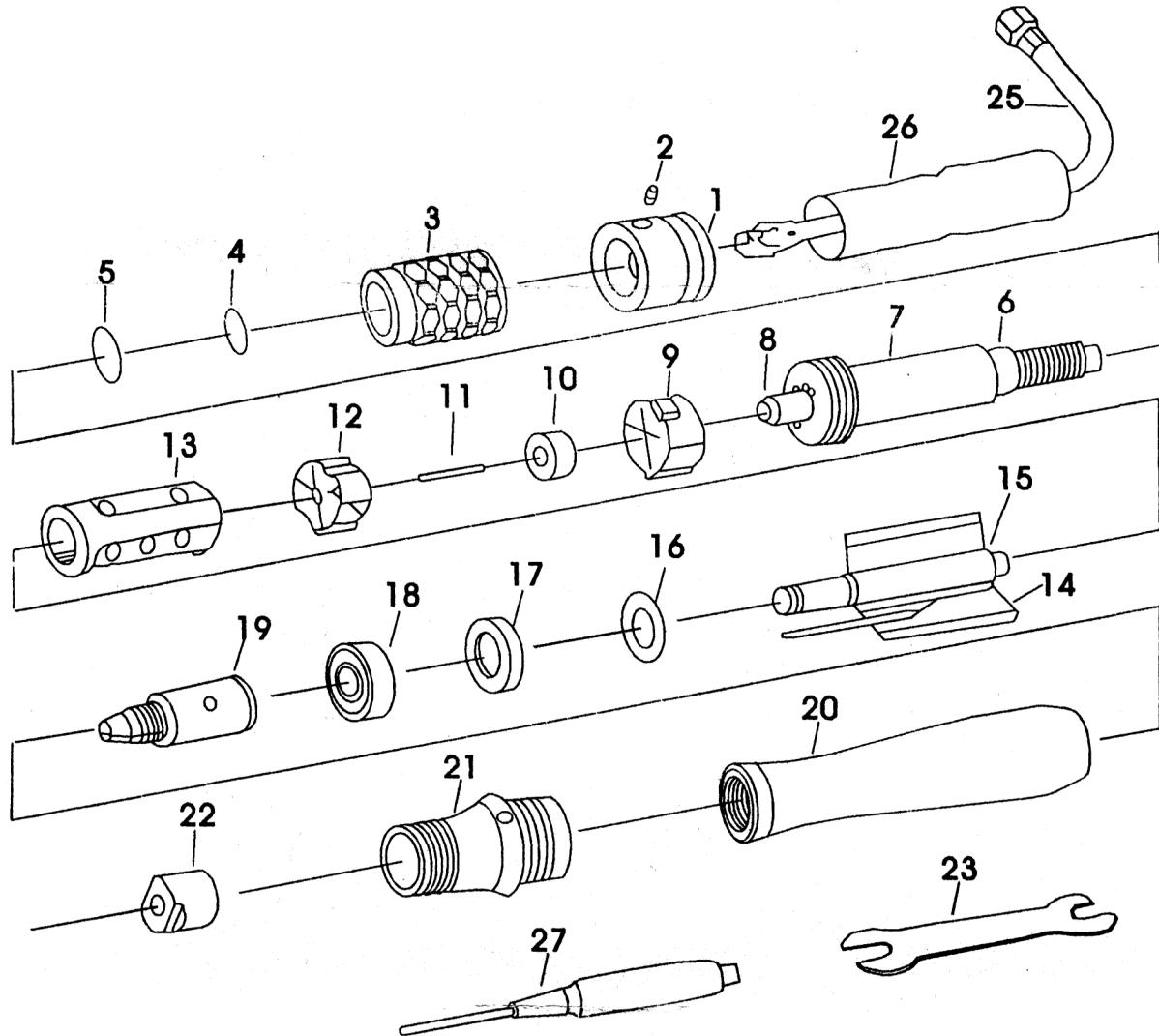


541 1/8" Micro Die Grinder



PARTS LIST:

NO	DESCRIPTION	PARTS NO	Qty	REMARK
1	REAR END HOLDER	BP54100100	1	
2	SCREW	BP54100200	1	
3	SLIDING KNOB	BP54100300	1	
4	O-RING	BP54100400	1	
5	O-RING	BP54100500	2	
6	HOSE PLUG	BP54100600		
7	PIN	BP54100700	1	
8	INTAKE STAINLESS	BP54100800		
9	INTAKE PLATE	BP54100900	1	
10	BALL BEARING	BP54101000	1	
11	PIN	BP54101100	1	
12	BEARING PLATE	BP54101200	1	
13	CYLINDER	BP54101300	1	
14	FIBER VANES	BP54101400	3	
15	ROTOR	BP54101500	1	

NO	DESCRIPTION	PARTS NO	Qty	REMARK
16	SPACER	BP54101600	1	
17	LATERAL DISC	BP54101700	1	
18	BALL BEARING	BP54101800	2	
19	COLLET (3MM)	BP5410190A	1	
	COLLET (1/8")	BP5410190B		
	COLLET (3/32")	BP5410190C		
20	SLEEVE	BP54102000	1	
21	FRONT COVER	BP54102100	1	
22	CLAMING NUT	BP54102200	1	
23	WRENCH	BP54102300	1	
24	CONNECTOR	BP54102400	1	
25	INLET HOSE	BP54102500	1	
26	EXHAUST HOSE	BP54102600	1	
27	LOCK WRENCH	BP54102700	1	