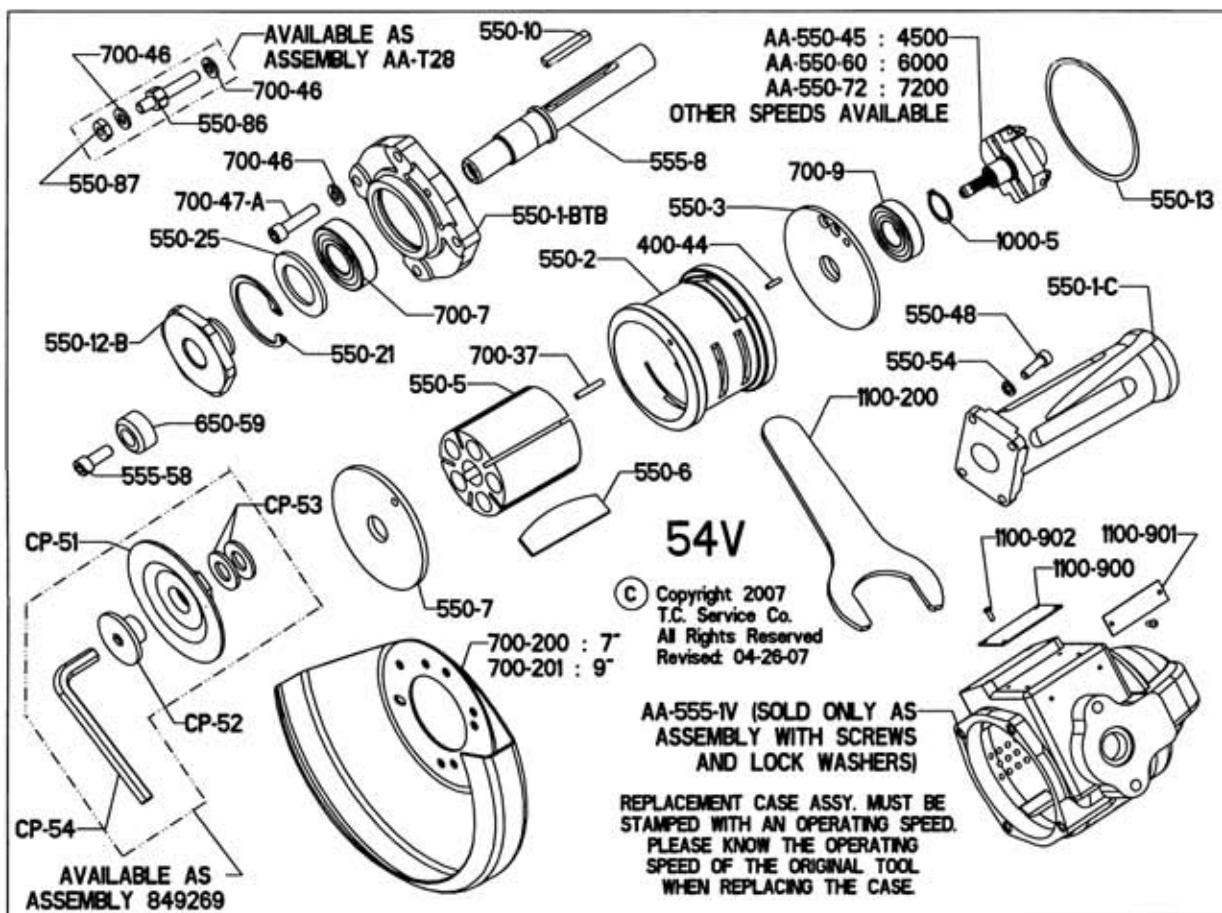
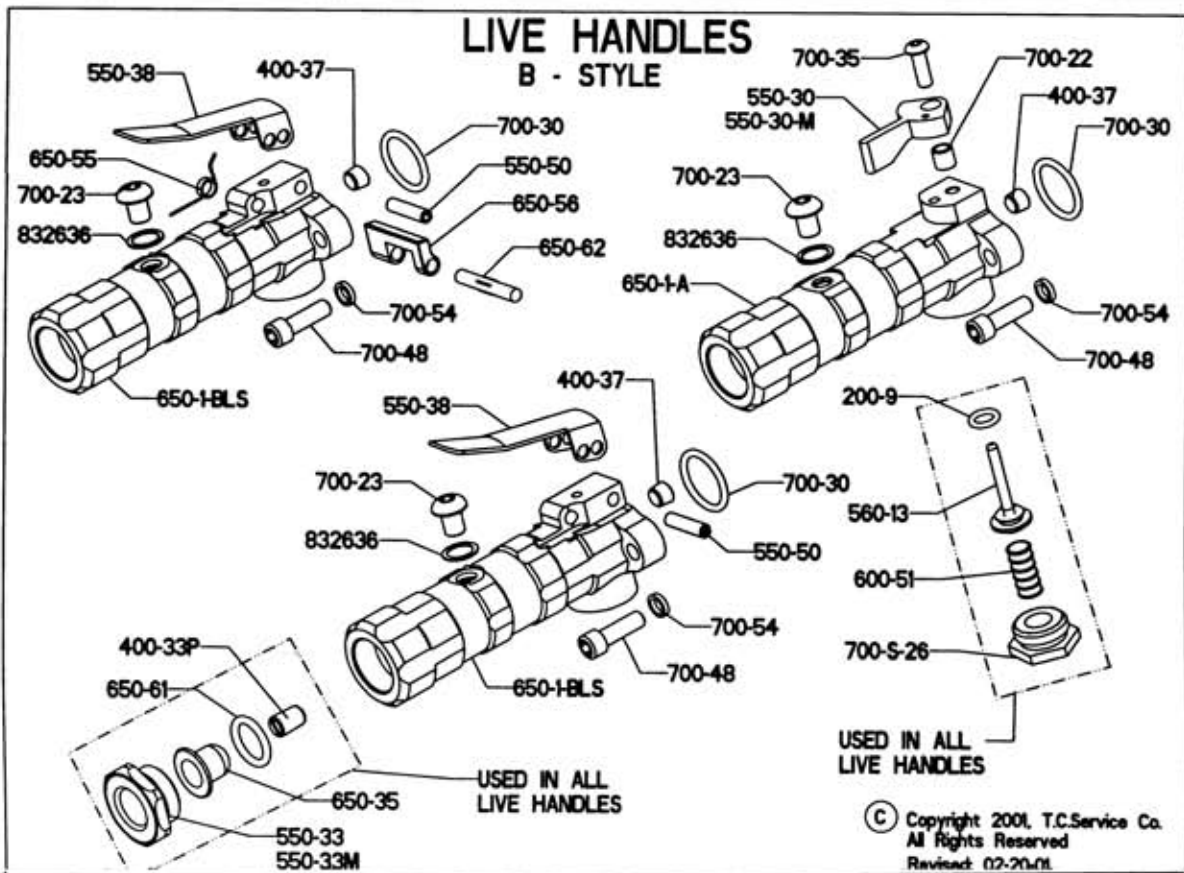


Top Cat 54VK Vertical Grinders - 7" & 9" Guard



Governors

The governors are warranted for the life of the tool. (Except in cases of abuse) Please return the governor to the manufacturer for warranty repair or replacement.



Top Cat

54VK Vertical Grinders - 7" & 9" Guard

Tool Parts Listing

<u>PART NUMBER</u>	<u>DESCRIPTION</u>	<u>TOOLS</u>	<u>DESCRIPTION</u>
400-44	CYLINDER PIN	<u>PART NUMBER</u>	
550-1-BTB	BEARING SUPPORT	1100-200	2" WRENCH
550-1-C	DEAD HANDLE	1100-650	SPINDLE HOLDER
550-1-C-H	HOLLOWED DEAD HANDLE	1100-808	700-9 BEARING DRIVER
550-1-C-KN	KNURLED DEAD HANDLE	1100-825	GOVERNOR WRENCH
550-1-C-KN-W	DEAD HANDLE WRAP	1100-834	700-7 BEARING DRIVER
550-2	CYLINDER	102-SPWR	SANDING PAD NUT WRENCH
550-2C	CHROME CYLINDER	541228	2" X 12" LONG WRENCH
550-3	REAR ENDPLATE	CP-54	WRENCH FOR 849269 KIT
550-3C	CHROME REAR ENDPLATE		
550-5	ROTOR	ASSEMBLIES	
550-5A	ALUMINUM ROTOR	<u>PART NUMBER</u>	<u>DESCRIPTION</u>
550-6	BLADE (5 REQ.)	510071	REPAIR KIT
550-7	FRONT ENDPLATE	AA-T28	TYPE 28 GUARD EXTENDER (4 REQ.)
550-7C	CHROME FRONT ENDPLATE		WHEEL RETAINER SCREW
555-8	SPINDLE	555-58	WHEEL RETAINER COLLAR
550-10	KEY	555-59	BUTTON HANDLE ASSY.
550-12B	WHEEL FLANGE	AA-650-1A	MACHINE MOUNT HANDLE ASSY.
550-13	GASKET	AA-650-1-AM	LEVER HANDLE ASSY.
550-21	SNAP RING	AA-650-1-BL	SAFETY HANDLE ASSY.
550-25	BEARING COVER	AA-650-1-BLS	KNURLED LEVER HANDLE ASSY.
550-48	SCREW (4 REQ.)	AA-650-1 BL-KN	KNURLED LEVER HANDLE ASSY.
550-54	WASHER (4 REQ.)	AA-650-1-BL-KN-W	W/ WRAP
550-86	TYPE 28 GUARD EXTENDER		PINNED/SAFETY LEVER HANDLE ASSY.
550-87	NUT	AA-650-1-UK	PINNED LEVER HANDLE ASSY.
600-48	GOV. PIN RETAINER	AA-650-1-UL	CASE ASSY. (SPECIFY SPEED)
650-58	SCREW	AA-555-1V	PIPED AWAY EXHAUST CASE ASSY. (SPECIFY SPEED)
650-59	WASHER	AA-555-1V-PA	
700-7	BEARING		
700-9	BEARING		
700-34	SPINDLE NUT	ACCESSORIES	
700-37	CYLINDER PIN	<u>PART NUMBER</u>	<u>DESCRIPTION</u>
700-46	WASHER (4-8 REQ.)	849259	5/8-11 SANDING PAD NUT
700-47A	SCREW (4 REQ.)	889271	5/8-11 4" SANDING PAD (MAX 12000 RPM)
1000-5	LOCK RING		5/8-11 5" SANDING PAD (MAX 10000 RPM)
		849848	5/8-11 5" RIGID SANDING PAD (MAX 10000 RPM)
GUARDS			5/8-11 6" SANDING PAD (MAX 8500 RPM)
<u>PART NUMBER</u>	<u>DESCRIPTION</u>		5/8-11 7" SANDING PAD (MAX 8500 RPM)
700-200	7" TYPE 27 GUARD	849848-R	5/8-11 9" SANDING PAD (MAX 6500 RPM)
700-201	9" TYPE 27 GUARD		DEP. CENTER WHEEL ADAPTER KIT
		849850	ADAPTER FLANGE FOR 849269 KIT
GOVERNORS			5/8-11 NUT FOR 849269 KIT
<u>PART NUMBER</u>	<u>DESCRIPTION</u>		WASHER
AA-550-30	GOV.ASSY. (3000 RPM)	849913	WRENCH FOR 849269 KIT
AA-550-45	GOV.ASSY. (4500 RPM)	849914	
AA-550-60	GOV.ASSY. (6000 RPM)	849269	
AA-550-80	GOV.ASSY. (8000 RPM)	CP-51	
• OTHER SPEEDS AVAILABLE		CP-52	
• ALWAYS USE SAME OR LOWER SPEED GOVERNOR		CP-53	
AS IS STAMPED ON CASE		CP-54	

Top Cat 54VK Vertical Grinders - 7" & 9" Guard

Handle Parts Listing

<u>PART NUMBER</u>	<u>DESCRIPTION</u>
200-9	THROTTLE VALVE O-RING
400-33P	OILER PLUG
400-37	SET SCREW
550-30	OPERATING BUTTON
550-30M	MACHINE MOUNT BUTTON
550-33	ADAPTER CAP
550-33M	METRIC ADAPTER CAP
550-38	LEVER
550-50	LEVER PIN
560-13	THROTTLE VALVE ASSY (INCLUDES 200-9)
600-51	THROTTLE VALVE SPRING
650-1A	BARE BUTTON HANDLE
650-1AT	BARE TURNED DOWN BUTTON HANDLE
650-1B-KN	BARE KNURLED BUTTON HANDLE
650-1-BLS	BARE LEVER HANDLE
650-1-BLS-KN	BARE KNURLED SAFETY HANDLE
650-1-U	BARE PINNED LEVER HANDLE
650-35	SCREEN BASKET
650-55	SAFETY LOCKOUT SPRING
650-56	LOCKOUT
650-61	O-RING
650-62	SAFETY LEVER LOCKOUT PIN
700-22	SPACER FOR BUTTON HANDLES
700-23	OILER PLUG SCREW
700-30	O-RING
700-35	BUTTON HANDLE SCREW
700-48	SCREW (2 REQ.)
700-54	LOCK WASHER (2 REQ.)
700-S-26	THROTTLE VALVE CAP
832636	GASKET

HANDLE ASSEMBLIES

<u>PART NUMBER</u>	<u>DESCRIPTION</u>
AA-650-1A	BUTTON HANDLE ASSY.
AA-650-1-AM	MACHINE MOUNT HANDLE ASSY.
AA-650-1-BL	LEVER HANDLE ASSY.
AA-650-1-BLS	SAFETY HANDLE ASSY.
AA-650-1 BL-KN	KNURLED LEVER HANDLE ASSY.
AA-650-1-BL-KN-W	KNURLED LEVER HANDLE ASSY. W/ WRAP
AA-650-1-UK	PINNED/SAFETY LEVER HANDLE ASSY
AA-650-1-UL	PINNED LEVER HANDLE ASSY