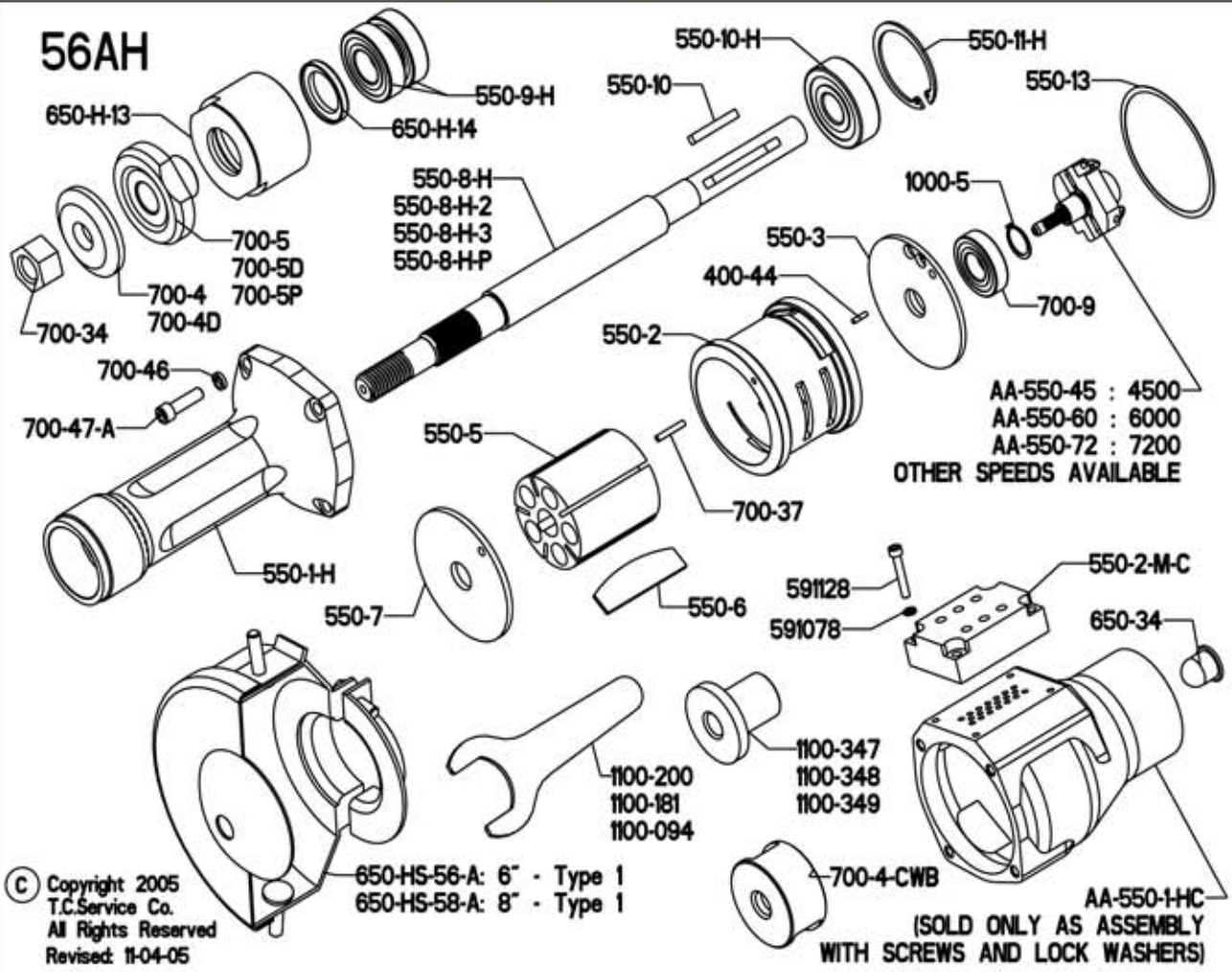


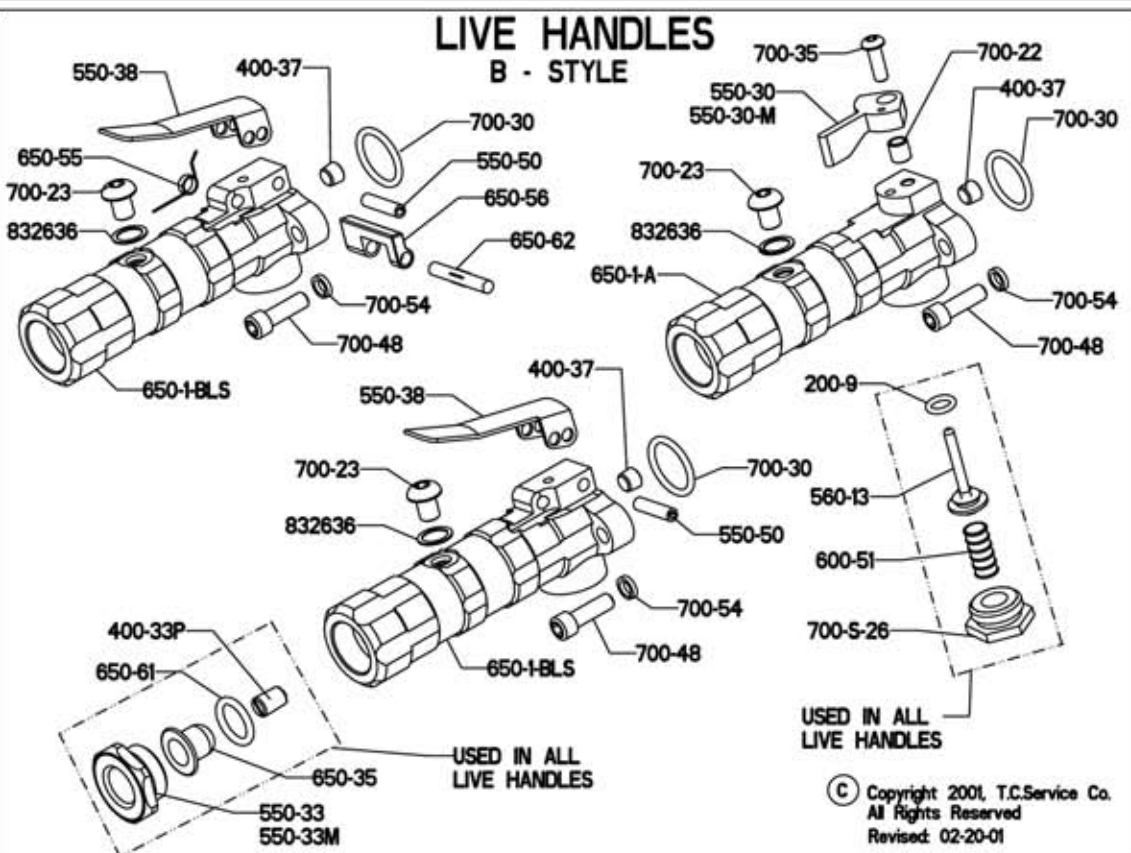
Maintenance

56AH



© Copyright 2005
 T.C.Service Co.
 All Rights Reserved
 Revised: 11-04-05

LIVE HANDLES B - STYLE



© Copyright 2001, T.C.Service Co.
 All Rights Reserved
 Revised: 02-20-01

Tool Parts Listing

<u>PART NUMBER</u>	<u>DESCRIPTION</u>
400-44	CYLINDER PIN
550-1-H	FRONT SPINDLE HOUSING
550-2	CYLINDER
550-2C	CHROME CYLINDER
550-3	REAR ENDPLATE
550-3C	CHROME REAR ENDPLATE
550-5	ROTOR
550-5A	ALUMINUM ROTOR
550-6	BLADE (5 REQ.)
550-7	FRONT ENDPLATE
550-7C	CHROME FRONT ENDPLATE
550-8-H	SPINDLE (STANDARD - TYPE 1)
550-8-H+2	+2 SPINDLE
550-8-H+3	+3 SPINDLE
550-8-H-C	CHROME SPINDLE
550-8-H-P	CONE SPINDLE
550-9-H	FRONT BEARING PAIR
550-10-H	CENTER BEARING
550-11-H	SNAP RING
550-10	KEY
550-13	GASKET
600-48	GOV. PIN RETAINER
650-34	SCREEN BASKET
650-H-13	FRONT BEARING CAP
650-H-14	SEAL
700-4	WHEEL FLANGE (6 INCH WHEELS)
700-4D	WHEEL FLANGE (8 INCH WHEELS)
700-5	DRIVE FLANGE (6 INCH WHEELS)
700-5D	DRIVE FLANGE (8 INCH WHEELS)
700-5P	DRIVE FLANGE(CONE WHEELS)
700-9	BEARING
700-34	SPINDLE NUT
700-37	CYLINDER PIN
700-46	WASHER (4 REQ.)
700-47A	SCREW (4 REQ.)
1000-5	LOCK RING

GUARDS

<u>PART NUMBER</u>	<u>DESCRIPTION</u>
650-HS-56A	6 INCH TYPE 1 WHEEL GUARD
650-HS-58A	8 INCH TYPE 1 WHEEL GUARD

Governors

*The governors are warranted for the life of the tool. (Except in cases of abuse)
Please return the governor to the manufacturer for warranty repair or replacement.*

TOOLS

<u>PART NUMBER</u>	<u>DESCRIPTION</u>
1100-094	15/16" WRENCH
1100-200	2" WRENCH
1100-650	SPINDLE HOLDER
1100-808	700-9 BEARING DRIVER
1100-822	550-10-H BEARING DRIVER
1100-825	GOVERNOR WRENCH
541228	2" X 12" LONG WRENCH
CP-54	WRENCH FOR 849269 KIT

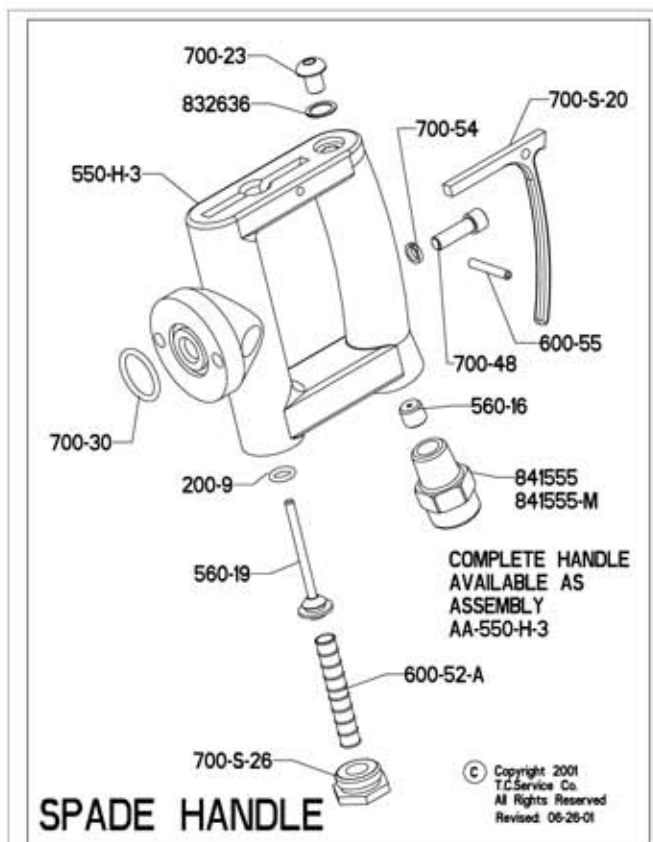
ACCESSORIES

<u>PART NUMBER</u>	<u>DESCRIPTION</u>
550-2-M-C	MUFFLER
700-4-CWC	CONE WHEEL ADAPTER
1100-346	1 INCH FLAP WHEEL ADAPTER
1100-347	4 INCH FLAP WHEEL ADAPTER
1100-348	2 INCH FLAP WHEEL ADAPTER
1100-349	3 INCH FLAP WHEEL ADAPTER
591078	LOCK WASHER (4 REQ.)-(MUFFLER)
591128	SCREW (4 REQ.) - (MUFFLER)
AA-550-2-M-C	MUFFLER ASSEMBLY

GOVERNORS

<u>PART NUMBER</u>	<u>DESCRIPTION</u>
AA-550-30	GOV.ASSY. (3000 RPM)
AA-550-45	GOV.ASSY. (4500 RPM)
AA-550-60	GOV.ASSY. (6000 RPM)
AA-550-80	GOV.ASSY. (8000 RPM)

- OTHER SPEEDS AVAILABLE
- ALWAYS USE SAME OR LOWER SPEED GOVERNOR AS IS STAMPED ON CASE



Live Handle Parts Listing

<u>PART NUMBER</u>	<u>DESCRIPTION</u>
200-9	THROTTLE VALVE O-RING
400-33P	OILER PLUG
400-37	SET SCREW
550-30	OPERATING BUTTON
550-30M	MACHINE MOUNT BUTTON
550-33	ADAPTER CAP
550-33M	METRIC ADAPTER CAP
550-38	LEVER
550-50	LEVER PIN
560-13	THROTTLE VALVE ASSY (INCLUDES 200-9)
600-51	THROTTLE VALVE SPRING
650-1A	BARE BUTTON HANDLE
650-1AT	BARE TURNED DOWN BUTTON HANDLE
650-1B-KN	BARE KNURLED BUTTON HANDLE
650-1-BLS	BARE LEVER HANDLE
650-1-BLS-KN	BARE KNURLED SAFETY HANDLE
650-1-U	BARE PINNED LEVER HANDLE
650-35	SCREEN BASKET
650-55	SAFETY LOCKOUT SPRING
650-56	LOCKOUT
650-61	O-RING
650-62	SAFETY LEVER LOCKOUT PIN
700-22	SPACER FOR BUTTON HANDLES
700-23	OILER PLUG SCREW
700-30	O-RING
700-35	BUTTON HANDLE SCREW
700-48	SCREW (2 REQ.)
700-54	LOCK WASHER (2 REQ.)
700-S-26	THROTTLE VALVE CAP
832636	GASKET

HANDLE ASSEMBLIES

<u>PART NUMBER</u>	<u>DESCRIPTION</u>
AA-650-1A	BUTTON HANDLE ASSY.
AA-650-1-AM	MACHINE MOUNT HANDLE ASSY.
AA-650-1-BL	LEVER HANDLE ASSY.
AA-650-1-BLS	SAFETY HANDLE ASSY.
AA-650-1 BL-KN	KNURLED LEVER HANDLE ASSY.
AA-650-1-BL-KN-W	KNURLED LEVER HANDLE ASSY. W/ WRAP
AA-650-1-UK	PINNED/SAFETY LEVER HANDLE ASSY
AA-650-1-UL	PINNED LEVER HANDLE ASSY

Note: Use of any parts other than genuine Top Cat® parts voids any and all warranties, and may result in a hazardous situation and a decrease in operating efficiency.

Spade Handle Parts Listing

<u>PART NUMBER</u>	<u>DESCRIPTION</u>
200-9	THROTTLE VALVE O-RING
550-H-3	BARE SPADE HANDLE HOUSING
560-16	SET SCREW
560-19	THROTTLE VALVE (INCLUDES O-RING 200-9)
600-52A	THROTTLE VALVE SPRING
600-55	TRIGGER PIN
700-23	SCREW
700-30	O-RING
700-48	SCREW (2 REQ.)
700-54	LOCK WASHER (2 REQ.)
700-S-20	TRIGGER
700-S-26	THROTTLE VALVE CAP
832636	GASKET
841553	1/2 INCH NPT X 1/2 INCH NPT SCREEN HANDLE BUSHING
841553-M	1/2 INCH NPT X 1/2 INCH BSP SCREEN HANDLE BUSHING

HANDLE ASSEMBLIES

<u>PART NUMBER</u>	<u>DESCRIPTION</u>
AA-550-H-3	SPADE HANDLE ASSY.