

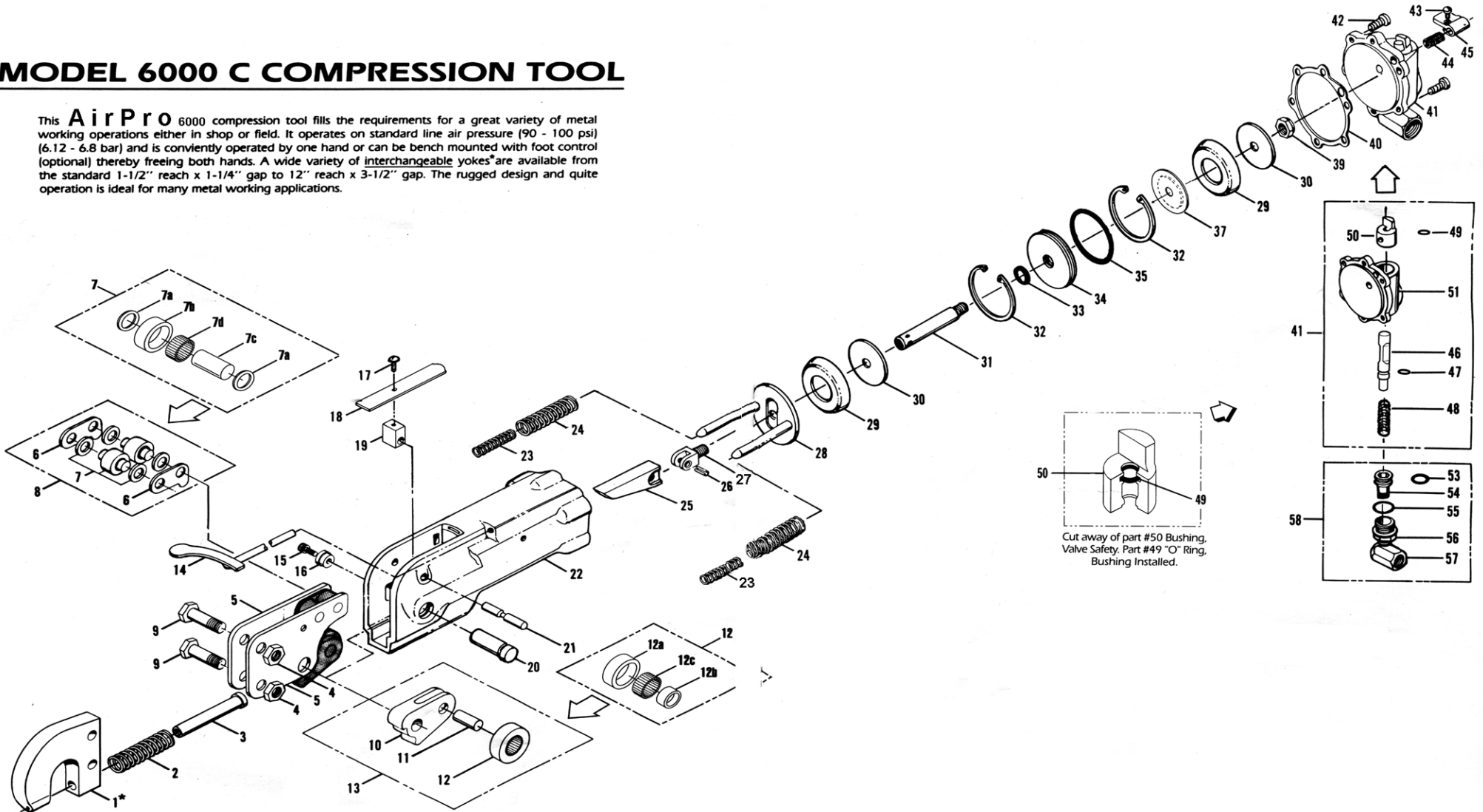


Just Tools Inc.

33 Haas Road, Toronto, On M9W 3A1 Tel: 416-748-0707 Fax: 416-748-0706
1-888-748-0707 E-mail: sales@justtools.com

MODEL 6000 C COMPRESSION TOOL

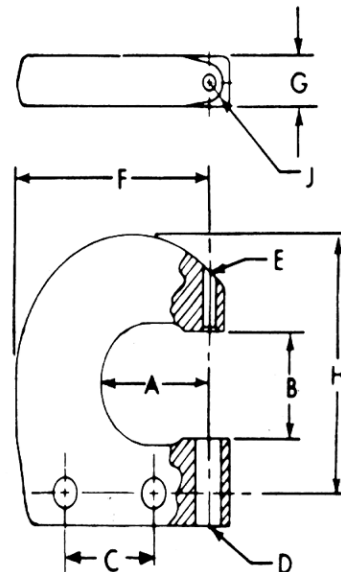
This **AirPro** 6000 compression tool fills the requirements for a great variety of metal working operations either in shop or field. It operates on standard line air pressure (90 - 100 psi) (6.12 - 6.8 bar) and is conveniently operated by one hand or can be bench mounted with foot control (optional) thereby freeing both hands. A wide variety of interchangeable yokes are available from the standard 1-1/2" reach x 1-1/4" gap to 12" reach x 3-1/2" gap. The rugged design and quite operation is ideal for many metal working applications.



C-YOKE NOMENCLATURE

6000C Compression Tool

- A Reach
- B Gap
- C Center line between bolt mounting holes
- D Bottom set hole diameter
- E Top set hole diameter
- F Width of yoke from set hole center to end of yoke
- G Thickness of yoke
- H Height of yoke from bolt hole center to top of yoke



*** STANDARD C-YOKE TYPES**

Yoke Part No.	A	B	C	D	E	F	G	H	J
060,000	1-1/2	1-1/4	1-5/16	3/8	3/16	3	9/16	3-3/8	3/16
060,001	2	1-1/2	1-5/16	3/8	3/16	3-9/16	9/16	3-11/16	3/16
060,002	2-1/2	1-1/2	1-5/16	3/8	3/16	4-5/8	9/16	9-1/4	3/16
060,004	3	1-1/2	1-5/16	3/8	3/16	5-1/4	1	4-3/4	3/16
060,005	3-1/2	1-3/4	1-5/16	3/8	3/16	6-1/16	1	5	3/16

PARTS NUMBERS

ITEM	PART NO.	DESCRIPTION	QUAN.
1	060,000	YOKE, STANDARD 1 1/2"	1
2	200,000	SPRING, SET HOLDER	1
3	050,050	SET HOLDER, STANDARD	1
4	180,000	NUT, YOKE BOLT	2
5	050,011	YOKE, PLATE	2
6	080,000	WEDGE, GUIDE	2
7	120,000	ASS'Y, PLATE ROLLER	2
7a	190,004	THRUST WASHER	4
7b	040,000	BEARING, RACE	2
7c	220,002	SHAFT, ROLLER	2
7d	040,004	NEEDLE ROLLERS	40
8	120,010	ASS'Y, PLATE ROLLER COMPLETE	1
9	170,000	BOLT, YOKE	2
10	050,034	SET LEVER	1
11	220,001	SHAFT, LEVER BEARING	1
12	120,002	ASS'Y LEVER BEARING	1
12a	040,002	OUTER ROLLER	1
12b	040,001	INNER ROLLER	1
12c	040,003	NEEDLE ROLLERS	25
13	120,011	ASS'Y LEVER COMPLETE	1
14	110,000	THROTTLE LEVER	1
15	160,001	SCREW, LEVER SHAFT	1
16	050,009	WASHER, SHAFT	1
17	160,003	SCREW, ROLLER GUARD	1
18	080,002	ROLLER GUARD	1
19	050,010	SPACER, GUARD BLOCK	1
20	220,004	SHAFT, LEVER, ECCENTRIC	1
21	050,008	PIN, SPACER BLOCK	1
22	006,000	HOUSING, CYLINDER, BARE	1
23	200,001	SPRING, INNER	2
24	200,002	SPRING, OUTER	2
25	050,033	WEDGE	1
26	220,005	PIN, FORK	1

ITEM	PART NO.	DESCRIPTION	QUAN.
27	050,006	FORK	1
28	120,001	ASS'Y, PISTON	1
29	140,000	LEATHER, PISTON CUP	2
30	190,000	PLATE, PISTON LEATHER	2
31	050,028	SHAFT, PISTON	1
32	230,000	SNAP RING	2
33	150,003	"O" RING, SPACER INNER	1
34	050,013	SPACER, CYLINDER	1
35	150,004	"O" RING, SPACER OUTER	1
36			
37	050,038	PISTON, REAR	1
38			1
39	180,001	NUT 3/8" x 24 SELF-LOCKING	1
40	100,000	GASKET, CYLINDER HEAD	1
41	120,012	ASS'Y, CYLINDER HEAD SAFETY	1
42	160,000	SCREW, CYLINDER HEAD	6
43	160,002	SCREW, LEVER ARM	1
44	200,003	SPRING, THROTTLE LEVER	1
45	090,000	LEVER ARM	1
46	050,014	VALVE	1
47	150,000	"O" RING, VALVE	1
48	200,004	SPRING, VALVE	1
49	150,010	"O" RING, BUSHING	1
50	050,036	BUSHING, VALVE SAFETY	1
51	080,001	CYLINDER HEAD, BARE	1
52			
53	150,001	"O" RING, SWIVEL BOLT	1
54	050,031	SWIVEL	1
55	150,002	"O" RING, SWIVEL NUT	1
56	050,015	NUT, SWIVEL	1
57	050,030	ELBOW, INLET 1/4" PIPE	1
58	120,007	ASS'Y SWIVEL	1