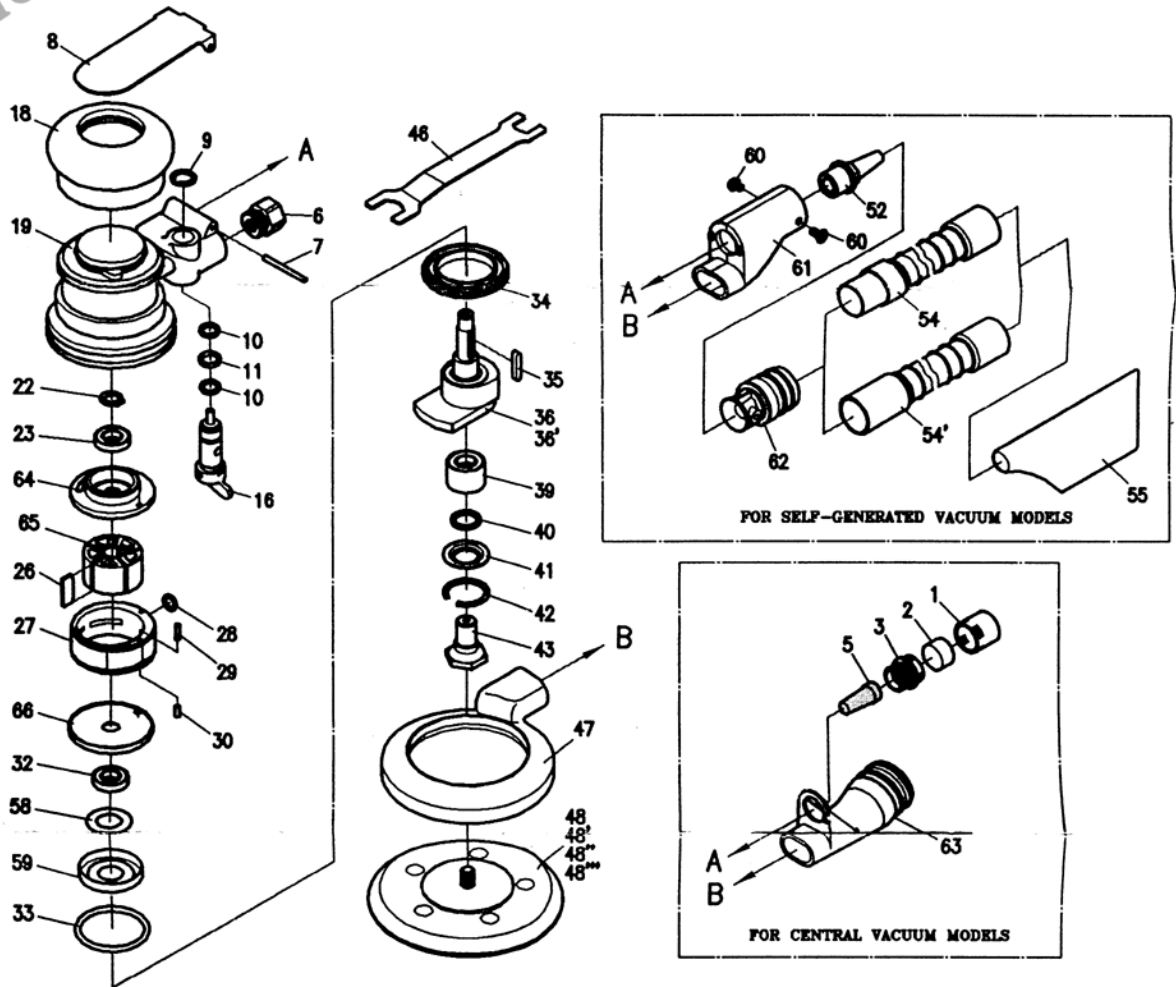


AirPro
AirPro

6309V-5/6 Random Orbital Sander (Vacuum Type)

Just Tools Inc.



REF.NO	PARTS NO	DESCRIPTION	Q'TY	REMARK	REF.NO	PARTS NO	DESCRIPTION	Q'TY	REMARK
1	306N-33	COVER	1		36	309N-09A	MOTOR SHAFT BALANCER	1	5"PAD
2	306N-32	FELT	1		36'	309N-09B	MOTOR SHAFT BALANCER	1	6"PAD
3	306N-13	MUFFLER BODY	1		39	00-2401	BALL BEARING (5001TIX)	1	
5	306N-14	CONE MUFFLER	1		40	309N-28	FELT RING	1	
6	306N-09	INLET BUSHING	1		41	309N-29	BEARING SHIELD	1	
7	00-3309	SPRING PIN (#3x40)	1		42	00-3106	SNAP RING (NR28)	1	
8	306N-08	LEVER	1		43	309N-27	SHAFT	1	
9	00-3003	SNAP RING (S12)	1		46	202N-36	STOP SPANNER	1	
10	00-4121	O-RING (#10x#1.5)	2		47	309D-19	SHROUD	1	
11	00-4111	O-RING (#11x#1)	1		48	00-5551	5" VAC VINYL FACE PAD	1	
16	A306N-04	REGULATOR ASSEMBLY	1SET		48'	00-5552	5" VAC HOOK FACE PAD		
18	309N-02	RUBBER COVER	1		48''	00-6561	6" VAC VINYL FACE PAD		
19	309N-01	HOUSING	1		48'''	00-6562	6" VAC HOOK FACE PAD		
22	00-3005	SNAP RING(S9)	1		62	309D-31	VAC.NOZZLE	1	
23	00-2303	BALL BEARING (629ZZ)	1		54	A101D-34	RUBBER HOSE	1	OPTION
					54'	A306D-23	RUBBER HOSE		
					55	101D-33	BAG	1	
26	305N-13	ROTOR BLADE	5		58	309N-09-3	WASHER	1	OPTION
27	306N-12	CYLINDER	1		59	309N-09-2	SAFEGUARD BUSHING	1	OPTION
28	00-4105	O-RING (P7)	1		60	00-0630	SCREW(M4x8)	2	
29	00-3307	SPRING PIN (#3x8)	1		61	309D-32B	EDUCTOR ASSEMBLY	1	
30	00-3301	SPRING PIN (#3x5)	1		62	A309D-21B	VAC.TUBE	1	For D Type
					63	A309V-32B	VACUUM ADAPTER (#33.5)		
32	00-2312	BALL BEARING (6002ZZ)	1		64	306N-10B	REAR PLATE	1	
33	00-4101	O-RING (P40)	1		65	309N-14B	ROTOR	1	
34	309N-03	SAFEGUARD BUSHING	1		66	309N-16B	FRONT PLATE	1	
35	00-3601	ROTOR KEY (3x4x18)	1						

(Specifications may be changed without notice)

2003.04.15