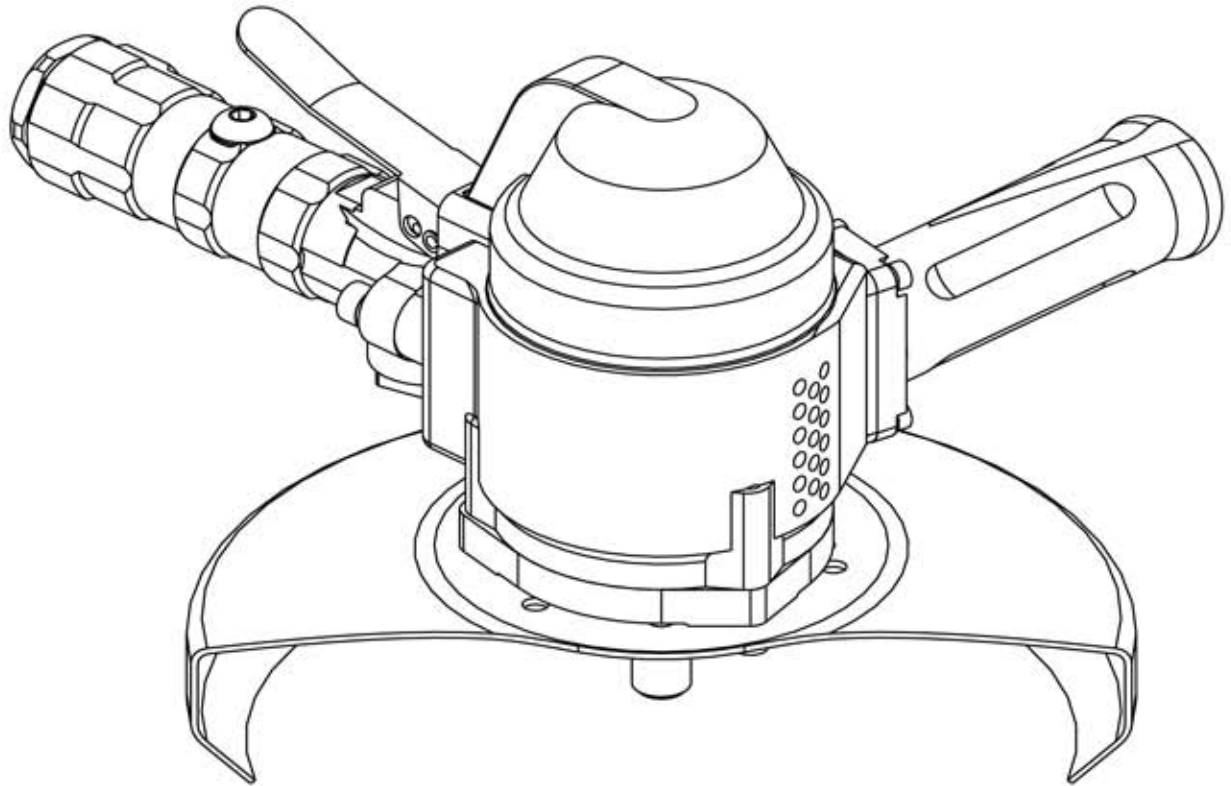


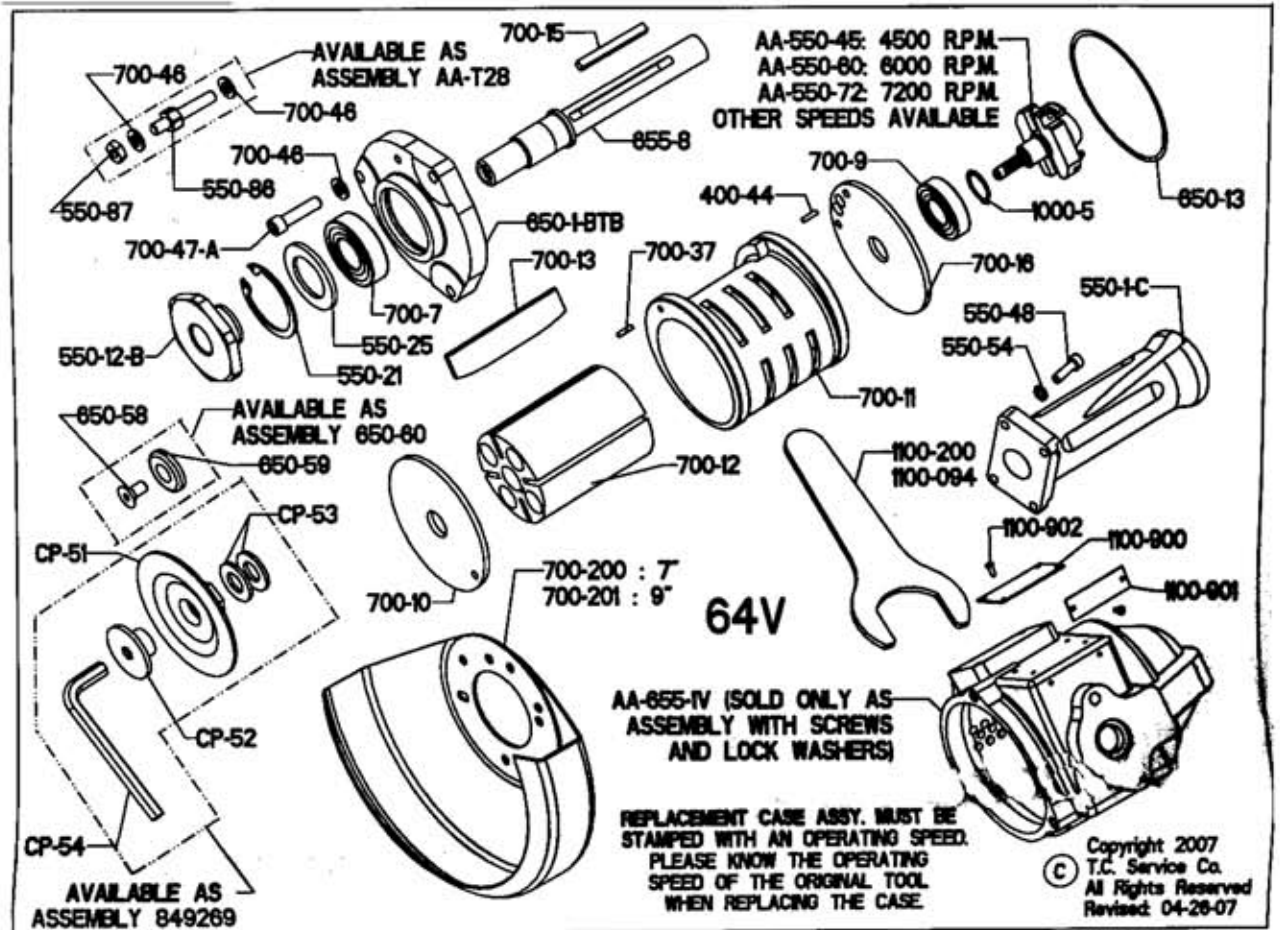


64V Series Vertical Grinders



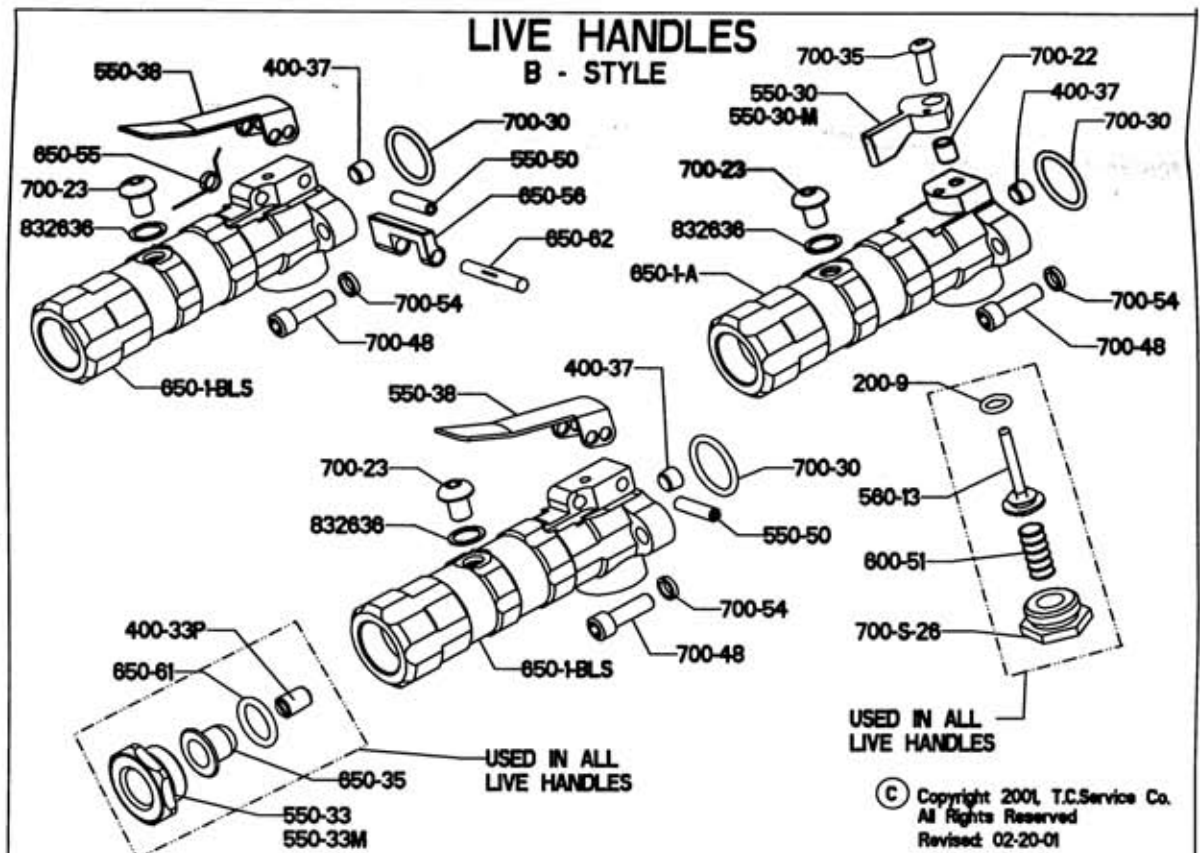
Distributed by:
Just Tools Inc.
33A Haas Road, Toronto, On M9W 3A1
Tel: 416-748-1200 Toll Free: 1-888-748-0707
Fax: 416-748-0706 E-mail: sales@justools.com

Top Cat 64VK Vertical Grinders - 7" & 9" Guard



Governors

The governors are warranted for the life of the tool. (Except in cases of abuse) Please return the governor to the manufacturer for warranty repair or replacement.



Top Cat

64VK Vertical Grinders - 7" & 9" Guard

Tool Parts Listing

<u>PART</u>	<u>DESCRIPTION</u>	<u>TOOLS</u>	<u>DESCRIPTION</u>
400-44	CYLINDER PIN	<u>PART</u>	
550-1C	DEAD HANDLE	1100-094	15/16" WRENCH
550-1-C-H	HOLLOWED DEAD HANDLE	1100-200	2" WRENCH
550-12B	WHEEL FLANGE	1100-650	SPINDLE HOLDER
550-1-C-KN	KNURLED DEAD HANDLE	1100-808	700-9 BEARING DRIVER
550-1-C-KN-W	DEAD HANDLE WRAP	1100-825	GOVERNOR WRENCH
550-21	SNAP RING	1100-834	700-7 BEARING DRIVER
550-25	BEARING COVER	102-SPWR	SANDING PAD NUT WRENCH
550-48	SCREW (4 REQ.)	541228	2" X 12" LONG WRENCH
550-54	WASHER (4 REQ.)	CP-54	WRENCH FOR DEPRESSED WHEEL ADAPTER
550-86	TYPE 28 GUARD EXTENDER (3 REQ)		
550-87	NUT		
600-48	GOV. PIN RETAINER	ASSEMBLIES	
650-1-BTB	FRONT BEARING SUPPORT	<u>PART</u>	<u>DESCRIPTION</u>
655-8	SPINDLE	510088	REPAIR KIT
650-13	GASKET	AA-T28	TYPE 28 GUARD EXTENDER (3 REQ.)
650-58	SCREW	650-50	WHEEL LOCK ASSY.
650-59	WASHER	AA-650-1A	BUTTON HANDLE ASSY.
700-7	BEARING	AA-650-1-AM	MACHINE MOUNT HANDLE ASSY.
700-9	BEARING	AA-650-1-BL	LEVER HANDLE ASSY.
700-10	FRONT ENDPLATE	AA-650-1-BLS	SAFETY HANDLE ASSY.
700-10C	CHROME FRONT ENDPLATE	AA-650-1 BL-KN	KNURLED LEVER HANDLE ASSY.
700-11	CYLINDER	AA-650-1-BL-KN-W	KNURLED LEVER HANDLE ASSY. W/ WRAP
700-11C	CHROME CYLINDER		
700-12	ROTOR	AA-650-1-UK	PINNED/SAFETY LEVER HANDLE ASSY.
700-12A	ALUMINUM ROTOR	AA-650-1-UL	PINNED LEVER HANDLE ASSY.
700-13	BLADES (4 REQ.)	AA-655-1V	CASE ASSY. (SPECIFY SPEED)
700-15	KEY	AA-655-1V-DHE	DEAD HANDLE EXHAUST CASE ASSY. (SPECIFY SPEED)
700-16	REAR ENDPLATE	AA-655-1V-PA	PIPED AWAY EXHAUST CASE ASSY. (SPEC. SPEED)
700-16C	CHROME REAR ENDPLATE		
700-34	SPINDLE NUT	AA-655-1V-S	LEFT HAND THROTTLE CASE ASSY. (SPECIFY SPEED)
700-37	CYLINDER PIN		
700-46	LOCK WASHER (3 REQ.)		
700-47A	SCREW (3 REQ.)		
1000-5	LOCK RING		
GUARDS		GOVERNORS	
<u>PART</u>	<u>DESCRIPTION</u>	<u>PART</u>	<u>DESCRIPTION</u>
700-200	7" TYPE 27 GUARD	AA-550-30	GOV.ASSY. (3000 RPM)
700-201	9" TYPE 27 GUARD	AA-550-45	GOV.ASSY. (4500 RPM)
		AA-550-60	GOV.ASSY. (6000 RPM)
		AA-550-80	GOV.ASSY. (8000 RPM)

- OTHER SPEEDS AVAILABLE.
- ALWAYS USE SAME OR LOWER SPEED GOVERNOR AS IS STAMPED ON CASE.

Top Cat

64VK Vertical Grinders - 7" & 9" Guard

ACCESSORIES

<u>PART</u>	<u>DESCRIPTION</u>
849259	5/8-11 SANDING PAD NUT
889271	5/8-11 4" SANDING PAD (MAX 12000 RPM)
849848	5/8-11 5" SANDING PAD (MAX 10000 RPM)
849848-R	5/8-11 5" RIGID SANDING PAD (MAX 10000 RPM)
849850	5/8-11 6" SANDING PAD (MAX 8500 RPM)
849913	5/8-11 7" SANDING PAD (MAX 8500 RPM)
849914	5/8-11 9" SANDING PAD (MAX 6500 RPM)
849269	DEP. CENTER WHEEL ADP. KIT
CP-51	ADAPTER FLANGE FOR 849269 KIT
CP-52	5/8-11 NUT FOR 849269 KIT
CP-53	ADAPTER WASHER FOR 849269 KIT
CP-54	WRENCH FOR 849269 KIT

Handle Parts Listing

<u>PART NUMBER</u>	<u>DESCRIPTION</u>
200-9	THROTTLE VALVE O-RING
400-33P	OILER PLUG
400-37	SET SCREW
550-30	OPERATING BUTTON
550-30M	MACHINE MOUNT BUTTON
550-33	ADAPTER CAP
550-33M	METRIC ADAPTER CAP
550-38	LEVER
550-50	LEVER PIN
560-13	THROTTLE VALVE ASSY (INCLUDES 200-9)
600-51	THROTTLE VALVE SPRING
650-1A	BARE BUTTON HANDLE
650-1AT	BARE TURNED DOWN BUTTON HANDLE
650-1B-KN	BARE KNURLED BUTTON HANDLE
650-1-BLS	BARE LEVER HANDLE
650-1-BLS-KN	BARE KNURLED SAFETY HANDLE
650-1-U	BARE PINNED LEVER HANDLE
650-35	SCREEN BASKET
650-55	SAFETY LOCKOUT SPRING
650-56	LOCKOUT
650-61	O-RING
650-62	SAFETY LEVER LOCKOUT PIN
700-22	SPACER FOR BUTTON HANDLES
700-23	OILER PLUG SCREW
700-30	O-RING
700-35	BUTTON HANDLE SCREW
700-48	SCREW (2 REQ.)
700-54	LOCK WASHER (2 REQ.)
700-S-26	THROTTLE VALVE CAP
832636	GASKET

HANDLE ASSEMBLIES

<u>PART NUMBER</u>	<u>DESCRIPTION</u>
AA-650-1A	BUTTON HANDLE ASSY.
AA-650-1-AM	MACHINE MOUNT HANDLE ASSY.
AA-650-1-BL	LEVER HANDLE ASSY.
AA-650-1-BLS	SAFETY HANDLE ASSY.
AA-650-1 BL-KN	KNURLED LEVER HANDLE ASSY.
AA-650-1-BL-KN-W	KNURLED LEVER HANDLE ASSY. W/ WRAP
AA-650-1-UK	PINNED/SAFETY LEVER HANDLE ASSY
AA-650-1-UL	PINNED LEVER HANDLE ASSY