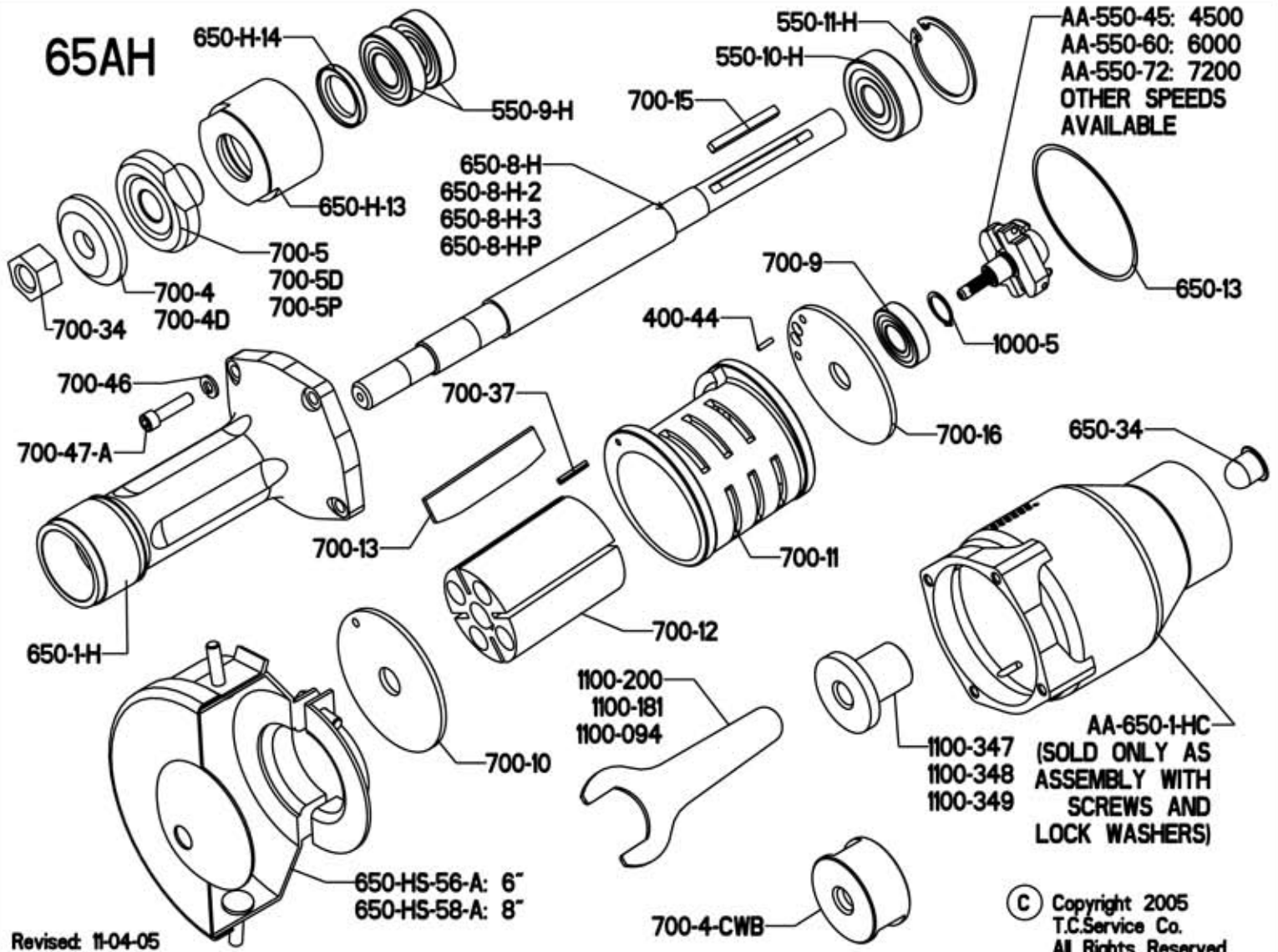


# Maintenance

**65AH**

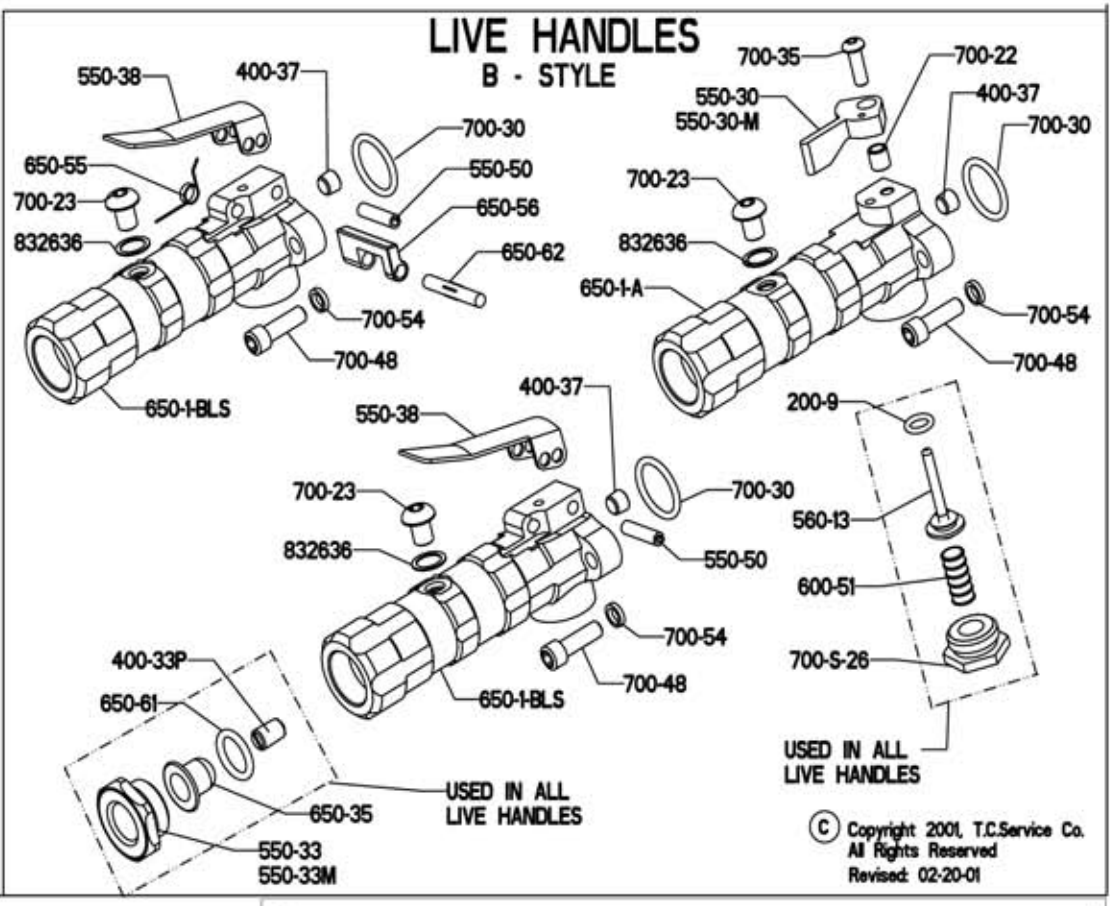


AA-550-45: 4500  
AA-550-60: 6000  
AA-550-72: 7200  
OTHER SPEEDS  
AVAILABLE

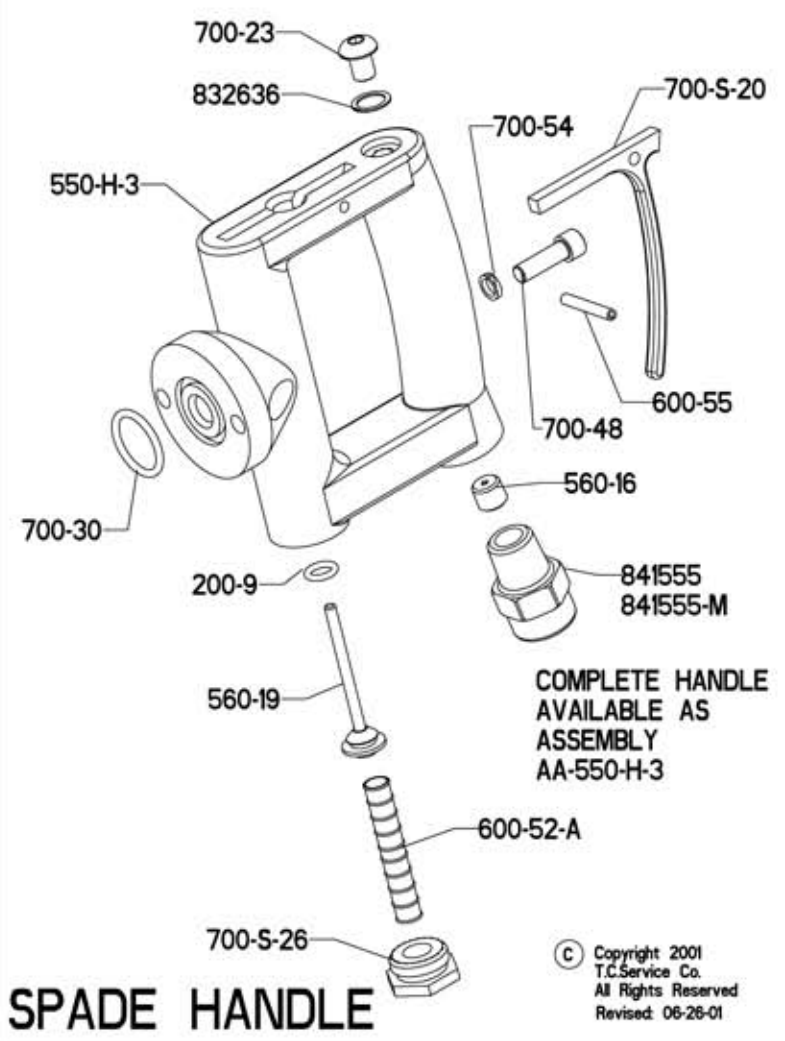
Revised: 11-04-05

© Copyright 2005  
T.C.Service Co.  
All Rights Reserved

# LIVE HANDLES B - STYLE



© Copyright 2001, T.C.Service Co.  
All Rights Reserved  
Revised: 02-20-01



# SPADE HANDLE

© Copyright 2001  
T.C.Service Co.  
All Rights Reserved  
Revised: 06-26-01

# Tool Parts Listing

<u>PART NUMBER</u>	<u>DESCRIPTION</u>	<u>TOOLS</u>	<u>DESCRIPTION</u>
400-44	CYLINDER PIN	<u>PART NUMBER</u>	
550-9-H	FRONT BEARING PAIR	1100-094	15/16" WRENCH
550-10-H	CENTER BEARING	1100-200	2" WRENCH
550-11-H	SNAP RING	1100-650	SPINDLE HOLDER
550-13	GASKET	1100-808	700-9 BEARING DRIVER
600-48	GOV. PIN RETAINER	1100-822	550-10-H BEARING DRIVER
650-1-H	FRONT SPINDLE HOUSING	1100-825	GOVERNOR WRENCH
650-8-H	SPINDLE (STANDARD - TYPE 1)	541228	2" X 12" LONG WRENCH
650-8-H+2	+2 SPINDLE		
650-8-H+3	+3 SPINDLE		
650-8-H-C	CHROME SPINDLE	<b>ASSEMBLIES</b>	
650-8-H-P	CONE SPINDLE	<u>PART NUMBER</u>	<u>DESCRIPTION</u>
650-34	SCREEN BASKET	510082	REPAIR KIT
650-H-13	FRONT BEARING CAP	AA-550-H-3	SPADE HANDLE ASSY.
650-H-14	SEAL	AA-650-1A	BUTTON HANDLE ASSY.
700-4	WHEEL FLANGE	AA-650-1-AM	MACHINE MOUNT HANDLE ASSY.
	(6 INCH WHEELS)	AA-650-1-BL	LEVER HANDLE ASSY.
700-4D	WHEEL FLANGE	AA-650-1-BLS	SAFETY HANDLE ASSY.
	(8 INCH WHEELS)	AA-650-1 BL-KN	KNURLED LEVER HANDLE ASSY.
700-5	DRIVE FLANGE	AA-650-1-BL-KN-W	KNURLED LEVER HANDLE ASSY.
	(6 INCH WHEELS)		W/ WRAP
700-5D	DRIVE FLANGE	AA-650-1-HC	CASE ASSY. (SPECIFY SPEED)
	(8 INCH WHEELS)	AA-650-1-UK	PINNED/SAFETY LEVER HANDLE ASSY.
700-5P	DRIVE FLANGE(CONE WHEELS)	AA-650-1-UL	PINNED LEVER HANDLE ASSY.
700-9	BEARING		
700-10	FRONT ENDPLATE	<b>GOVERNORS</b>	
700-10C	CHROME FRONT ENDPLATE	<u>PART NUMBER</u>	<u>DESCRIPTION</u>
700-11	CYLINDER	AA-550-30	GOV.ASSY. (3000 RPM)
700-11C	CHROME CYLINDER	AA-550-45	GOV.ASSY. (4500 RPM)
700-12	ROTOR	AA-550-60	GOV.ASSY. (6000 RPM)
700-13	BLADE (4 REQ.)	AA-550-80	GOV.ASSY. (8000 RPM)
700-15	KEY		• OTHER SPEEDS AVAILABLE
700-16	REAR ENDPLATE		• ALWAYS USE SAME OR LOWER SPEED GOVERNOR AS IS STAMPED ON CASE
700-16C	CHROME REAR ENDPLATE		
700-34	SPINDLE NUT	<b>ACCESSORIES</b>	
700-37	CYLINDER PIN	<u>PART NUMBER</u>	<u>DESCRIPTION</u>
700-46	WASHER (4 REQ.)	700-4-CWC	CONE WHEEL ADAPTER
700-47A	SCREW (4 REQ.)	1100-346	1 INCH FLAP WHEEL ADAPTER
1000-5	LOCK RING	1100-347	4 INCH FLAP WHEEL ADAPTER
		1100-348	2 INCH FLAP WHEEL ADAPTER
		1100-349	3 INCH FLAP WHEEL ADAPTER
<b>GUARDS</b>			
<u>PART NUMBER</u>	<u>DESCRIPTION</u>		
650-HS-56A	6 INCH TYPE 1 WHEEL GUARD		
650-HS-58A	8 INCH TYPE 1 WHEEL GUARD		

## Governors

The governors are warranted for the life of the tool.

(Except in cases of abuse)

Please return the governor to the manufacturer for warranty repair or replacement.

# Live Handle Parts Listing

<u>PART NUMBER</u>	<u>DESCRIPTION</u>	<b>HANDLE ASSEMBLIES</b>	
		<u>PART NUMBER</u>	<u>DESCRIPTION</u>
200-9	THROTTLE VALVE O-RING	AA-650-1A	BUTTON HANDLE ASSY.
400-33P	OILER PLUG	AA-650-1-AM	MACHINE MOUNT HANDLE ASSY.
400-37	SET SCREW	AA-650-1-BL	LEVER HANDLE ASSY.
550-30	OPERATING BUTTON	AA-650-1-BLS	SAFETY HANDLE ASSY.
550-30M	MACHINE MOUNT BUTTON	AA-650-1 BL-KN	KNURLED LEVER HANDLE ASSY.
550-33	ADAPTER CAP	AA-650-1-BL-KN-W	KNURLED LEVER HANDLE ASSY. W/ WRAP
550-33M	METRIC ADAPTER CAP	AA-650-1-UK	PINNED/SAFETY LEVER HANDLE ASSY
550-38	LEVER	AA-650-1-UL	PINNED LEVER HANDLE ASSY
550-50	LEVER PIN		
560-13	THROTTLE VALVE ASSY (INCLUDES 200-9)		
600-51	THROTTLE VALVE SPRING		
650-1A	BARE BUTTON HANDLE		
650-1AT	BARE TURNED DOWN BUTTON HANDLE		
650-1B-KN	BARE KNURLED BUTTON HANDLE		
650-1-BLS	BARE LEVER HANDLE		
650-1-BLS-KN	BARE KNURLED SAFETY HANDLE		
650-1-U	BARE PINNED LEVER HANDLE		
650-35	SCREEN BASKET		
650-55	SAFETY LOCKOUT SPRING		
650-56	LOCKOUT		
650-61	O-RING		
650-62	SAFETY LEVER LOCKOUT PIN		
700-22	SPACER FOR BUTTON HANDLES		
700-23	OILER PLUG SCREW		
700-30	O-RING		
700-35	BUTTON HANDLE SCREW		
700-48	SCREW (2 REQ.)		
700-54	LOCK WASHER (2 REQ.)		
700-S-26	THROTTLE VALVE CAP		
832636	GASKET		

# Spade Handle Parts Listing

<u>PART NUMBER</u>	<u>DESCRIPTION</u>
200-9	THROTTLE VALVE O-RING
550-H-3	BARE SPADE HANDLE HOUSING
560-16	SET SCREW
560-19	THROTTLE VALVE (INCLUDES O-RING 200-9)
600-52A	THROTTLE VALVE SPRING
600-55	TRIGGER PIN
700-23	SCREW
700-30	O-RING
700-48	SCREW (2 REQ.)
700-54	LOCK WASHER (2 REQ.)
700-S-20	TRIGGER
700-S-26	THROTTLE VALVE CAP
832636	GASKET
841553	1/2 INCH NPT X 1/2 INCH NPT SCREEN HANDLE BUSHING
841553-M	1/2 INCH NPT X 1/2 INCH BSP SCREEN HANDLE BUSHING

## **HANDLE ASSEMBLIES**

<u>PART NUMBER</u>	<u>DESCRIPTION</u>
AA-550-H-3	SPADE HANDLE ASSY.