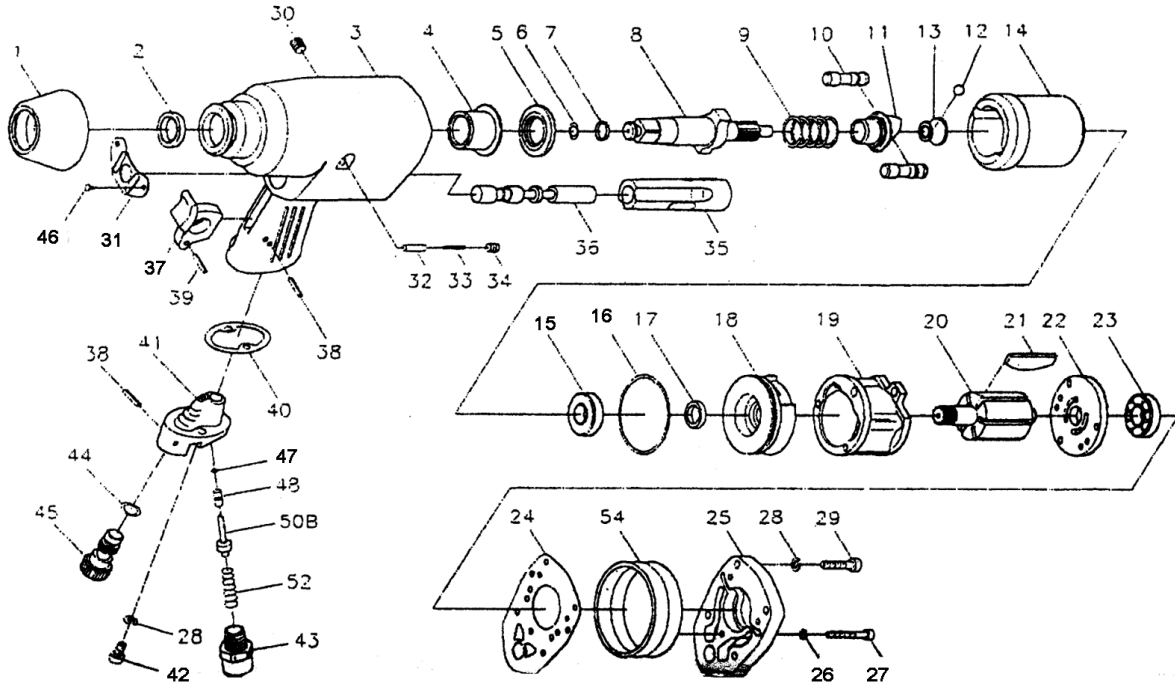


AirPro JUST TOOLS INC. AirPro

716 1/2" IMPACT WRENCH

Just Tools Inc.

33a Haas Road, Toronto, On. M9W 3A1 Tel: 416-748-0707 Fax: 416-748-0706 1-888-748-0706
E-mail: sales@justtools.com



Index No.	Part No.	Description	Q'ty	Index No.	Part No.	Description	Q'ty	
1	302-019	Protecting Rubber	1	27	00-0105	Cap Screw	3	
2	00-4203	Oil Seal	1	28	00-1806	Spring Washer	6	
3	302C-001	Motor Housing	1	29	00-0104	Cap Screw	4	
4	302-010	Anvil Bushing	1	30	00-0601	Oil Screw	1	
5	302-033	Spacer	1	31	302-021	Exhaust Deflector	1	
6	00-4103	O-Ring	1	32	250-029	Pin	1	
7	250-033	Anvil Collar	1	33	302-032	Spring	1	
8	302-011NA4	Anvil	1	34	00-0602	Set Screw	1	
	302-011NB4	2" Anvil	1	35	302-022	Valve Sleeve	1	
9	300-048	Spring	1	36	302-023	Reverse Valve	1	
10	300-016	Hammer Pin	2	37	302-024	Trigger	1	
11	302-013	Cam	1	38	00-3309	Spring Pin	2	
12	00-3807	Steel Ball	1	39	00-3301	Spring Pin	1	
13	302-014	Cam Foundation	1	40	302-025	Valve Block Gasket	1	
14	302-012	Hammer Cage	1	41	302-026	Valve Block	1	
15	00-2317	Ball Bearing	1	42	00-0102	Cap Screw	2	
16	00-4120	O-Ring	1		43	302-029A	Air Inlet (1/4"PF)	1
17	004204	Oil Seal	1		43	302-029B	Air Inlet (1/4"PT)	1
18	302-005	Front End Plate	1	43	302-029C	Air Inlet (1/4"NPT)	1	
19	302-006	Cylinder	1	44	00-4107	O-Ring	1	
20	302-007	Rotor	1	45	302-027	Regulator	1	
21	302-008	Rotor Blade	6	46	00-0802	Self Tapping Screw	2	
22	302-009	Rear End Plate	1	47	00-4109	O-Ring	1	
23	00-2318	Ball Bearing	1	48	302-028	Valve Stem	1	
24	302-020	Rear Gasket	1	50B	302-035-B	Throttle Valve	1	
25	302-003	Rear Cover	1	52	302-031	Spring	1	
26	00-1805	Spring Washer	3	54	250-035	Protecting Rubber	1	