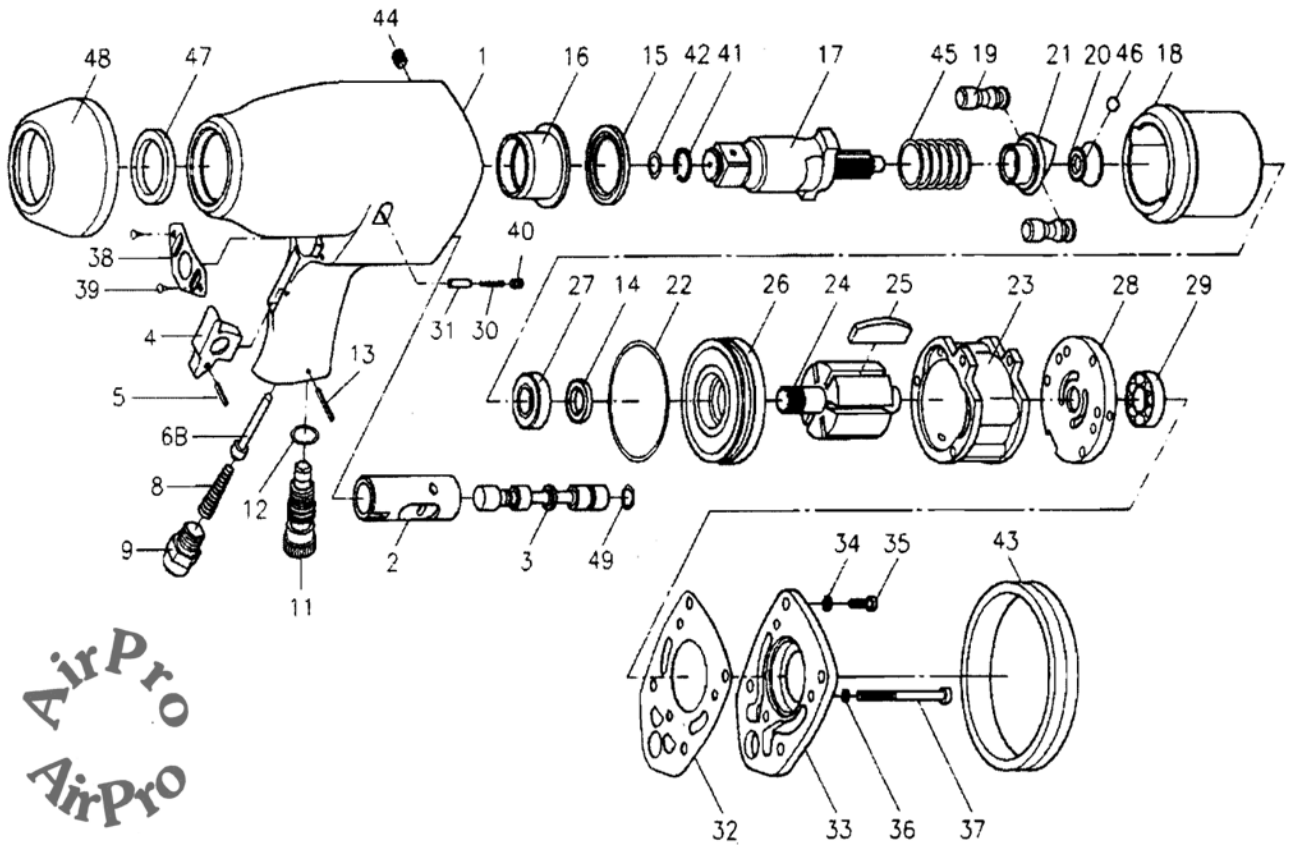


750 3/4" PROFESSIONAL AIR IMPACT WRENCH



Index No.	Part No.	Description	Q'ty	Index No.	Part No.	Description	Q'ty
1	280-001	Motor Housing	1	26	280-005	Front End Plate	1
2	280-019	Valve Sleeve	1	27	00-2312	Ball Bearing	1
3	280-020	Reverse Valve	1	28	280-009	Rear End Plate	1
4	280-021B	Trigger	1	29	00-2313	Ball Bearing	1
5	00-3301	Pin	1	30	250-028	Spring	1
6B	280-022	Valve Stem	1	31	280-024	Pin	1
8	280-025	Spring	1	32	280-030	Rear Gasket	1
9	250-024A	Air Inlet (1/4"PF)	1	33	280-003	Rear Cover	1
	250-024B	Air Inlet (1/4"PT)		34	00-1803	Spring Washer	4
	250-024C	Air Inlet (1/4"NPT)		35	00-0119	Screw	4
11	280-023-B	Regulator	1	36	00-1802	Spring Washer	3
12	00-4106	O-Ring	1	37	00-0110	Screw	3
13	00-3305	Pin	1	38	280-026A	Exhaust Deflector	1
14	00-4206	Oil Seal	1		280-026B	Exhaust Deflector	
15	270-019	Spacer	1	39	00-0802	Screw	2
16	270-010	Anvil Bushing	1	40	00-0609	Screw	1
17	270-011A6	Anvil	1	41	280-028	Anvil Collar	1
	270-011B6	6" Anvil		42	00-4118	O-Ring	1
18	270-012	Hammer Cage	1	43	280-032	Protecting Rubber	1
19	270-016	Hammer Pin	2	44	00-0614	Screw	1
20	270-014	Cam Foundation	1	45	270-018	Spring	1
21	270-013	Cam	1	46	00-3806	Steel Ball	1
22	00-4108	O-Ring	1	47	00-4211	Oil Seal	1
23	280-006	Cylinder	1	48	280-031	Protecting Rubber	1
24	280-007-B	Rotor	1	49	00-4114	O-Ring	1
25	280-008	Rotor Blade	6				