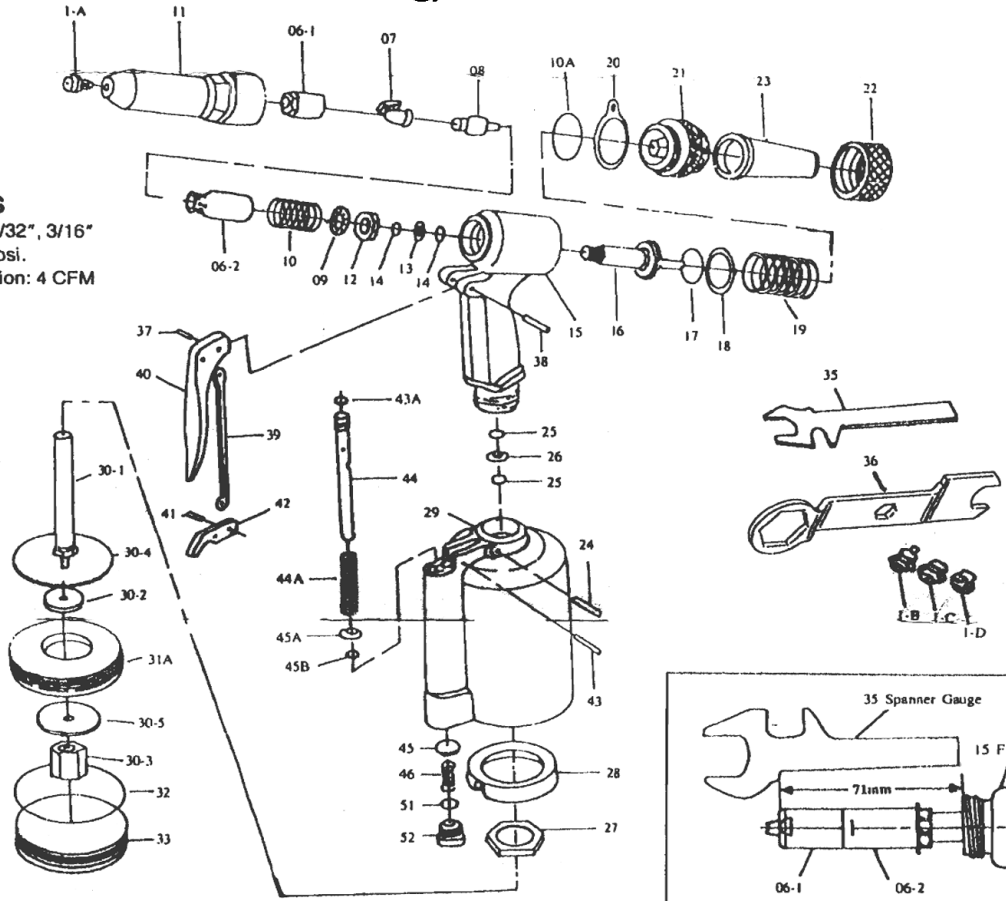


## 810 AIR RIVETER

33a Haas Road, Toronto, On M8W 3A1 Tel: 416-748-0707 Fax: 416-748-0706 1-888-748-0707  
E-mail: sales@justtools.com

### SPECIFICATIONS

Capacity: 3/32", 1/8", 5/32", 3/16"  
Air Pressure: 60 - 90 psi.  
Average Air Consumption: 4 CFM  
Air Inlet: 1/4" NPT  
Hose Size: 3/8" I.D.  
Weight: 2.85 lbs.



PART NO.	DESCRIPTION	PART NO	DESCRIPTION
1A	Nosepiece (3/16")	27	Frame Lock Nut
1B	Nosepiece (5/32")	28	Rubber Cushion
1C	Nosepiece (1/8")	29	Air Cylinder
1D	Nosepiece (3/32")	30-1	Air Piston Stem
06-1	Jaw Case Front Tart (3/32", 1/8", 5/32")	30-2	Air Piston AI
06-2	Jaw Case End Tart	30-3	Air Piston Lock Nut
07	Jaw	30-4	Big Iron Plate
08	Jaw Pusher	30.5	Small Iron Plate
09	Case Washer Ring	31A	Air Piston Ring
10	Jaw Pusher Spring	32	Cylinder O Ring 67.94 x 2.62
10A	Frame Cap O Ring 27 x 2	33	Cylinder Cap
11	Frame Head	35	Spanner Gauge
12	Case Lock Nut	36	Spanner
13	Back Up Ring	37	Trigger Pin
14	Back Up O Ring P12	38	Connector
15	Frame	39	Trigger Rod
16	Oil Piston	40	Trigger
17	Oil Piston O Ring P22A	41	Connector
18	Back UP Ring	42	Trigger Lever
19	Return Spring	43	Lever Pin
20	Hanging Clip	43A	Valve Pusher O Ring P7
21	Frame Cap	44	Valve Pusher
24	Setting Screw Pin	44A	Valve Spring
25	Back Up O Ring 12	45	Valve
26	Back UP Ring	45A	Valve Collar
22	Frame Cap Nut	45B	Collar O Ring P5
23	Safety Cap	46	Valve Spring
		51	Valve Cap O Ring P11
		52	Valve Cap