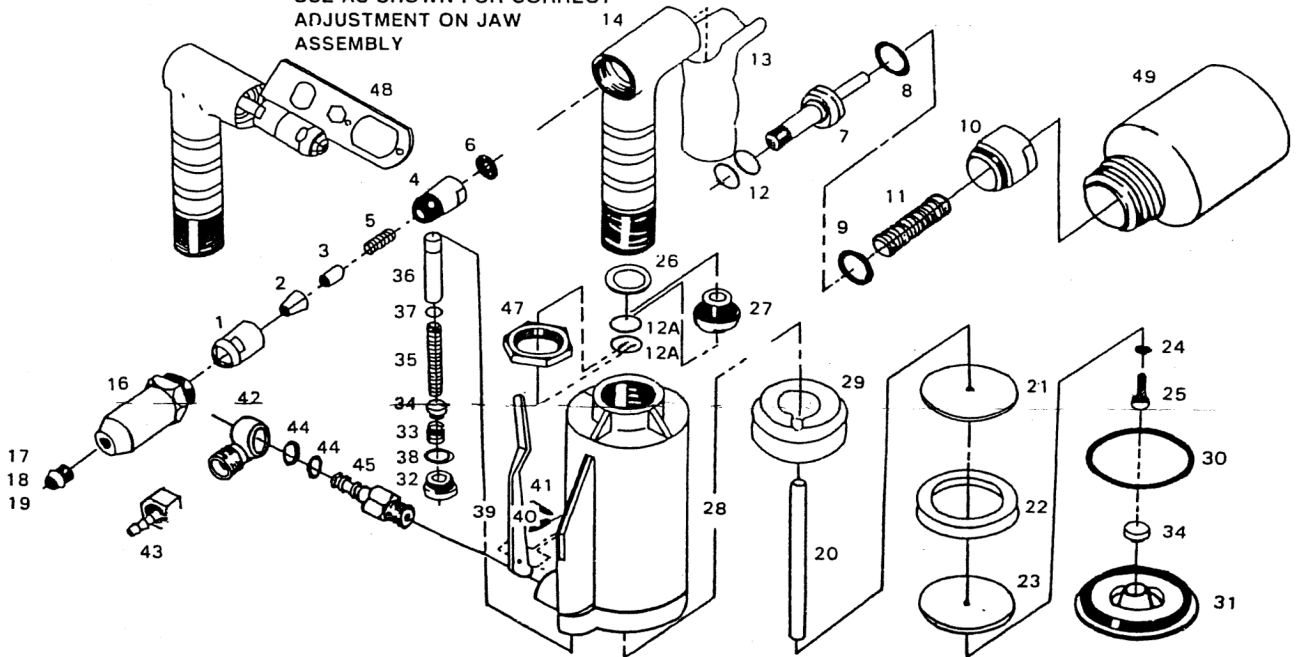


AirPro JUST TOOLS INC. AirPro

811C AIR HYDRAULIC RIVETER

GAUGE OF WRENCH 48
IS A 2-15/64" MEASURE.
USE AS SHOWN FOR CORRECT
ADJUSTMENT ON JAW
ASSEMBLY



Index No.	Description	No. Req'd
1	Jaw Housing	1
2	Jaws	2
3	Jaw Pusher	1
4	Jaw Housing Coupler	1
5	Spring	1
6	Nut	1
7	Hydraulic Plunger	1
8	"0" Ring Seal	1
9	"0" Ring Washer	1
10	Screw Plug	1
11	Hydraulic Return Spring	1
12	"0" Ring Seal	2
12A	"0" Ring Seal	2
13	Hand Grip	1
14	Hydraulic Section	1
16	Head	1
17	1/8" Nosepiece(Accessories)	1
18	5/32" Nosepiece(Accessories)	1
19	3/16" Nosepiece	1
20	Plunger Rod	1
21	Front Piston Head Disc	1
22	Piston Head Packing Ring	1
23	Rear Piston Head Disc	1
24	Piston Head Spring Washer	1
25	Piston Head Lock Screw	1
26	"0" Ring Seal-Hyd. Rod Guide	1
27	Hydraulic Rod Guide	1

Index No.	Description	No. Req'd
28	Air Cylinder Body	1
29	Damping Ring	1
30	"0" Ring Seal	1
31	Air Cylinder Cap	1
32	Screw Plug	1
33	Valve Pressure Spring	1
34	Valve Plate	2
35	Valve Spring	1
36	Valve Tube	1
37	"0" Ring-Valve Tube	1
38	"0" Ring-Screw Plug	1
39	Trigger Arm	1
40	Spring	1
41	Roll Pin	1
42	1/4" Air Inlet Fitting -Female (Standard)	1
43	1/4" Air Inlet Fitting -Male (Optional)	1
44	"0" Ring Seal	3
45	Air Inlet Plug	1
47	LOCK NUT	1
48	WRENCH	1
49	PLASTIC BOTTLE	1
50	14MM WRENCH	2