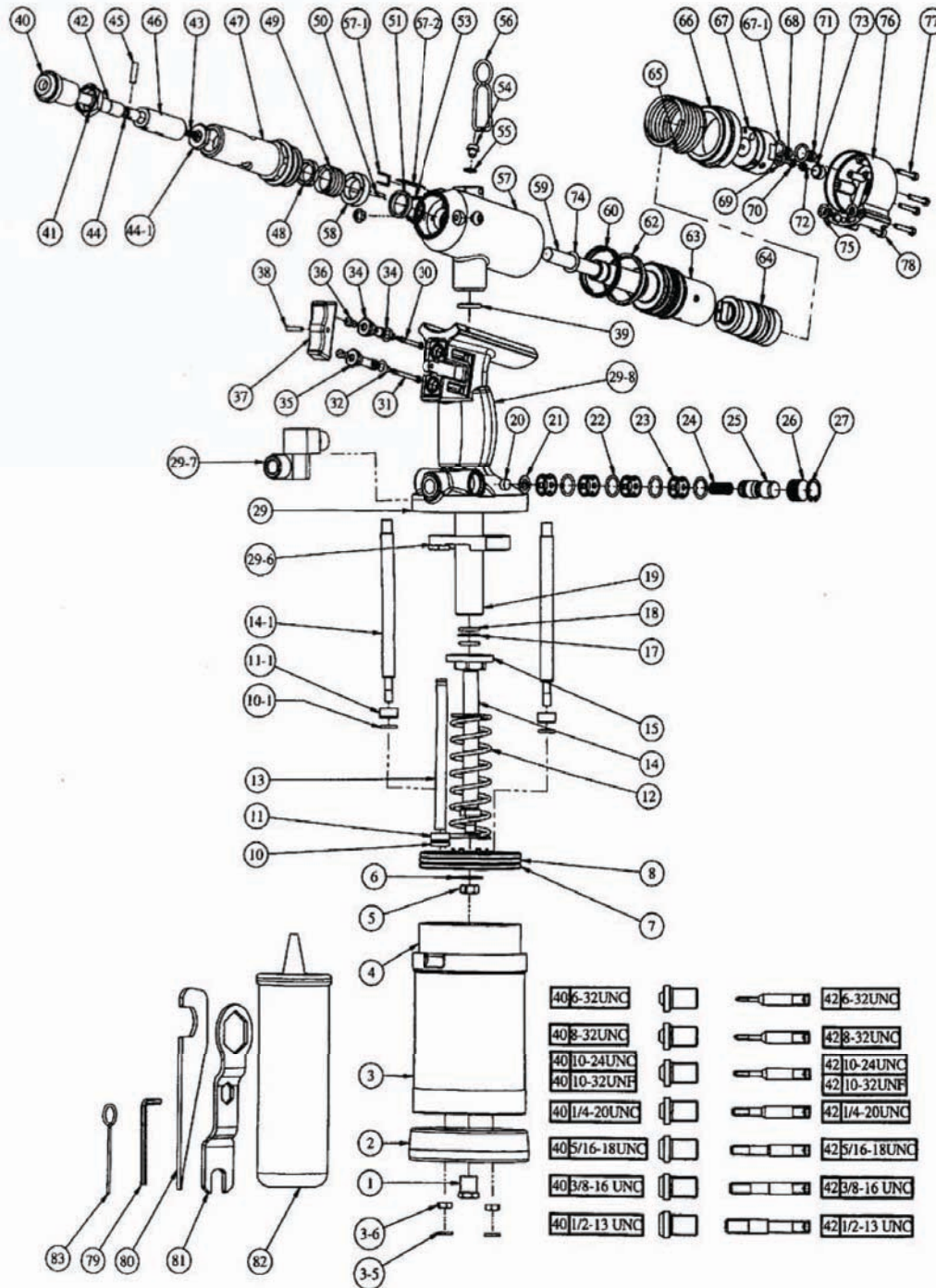


CCP-25 Spin/Pull Riv-Nut Tool

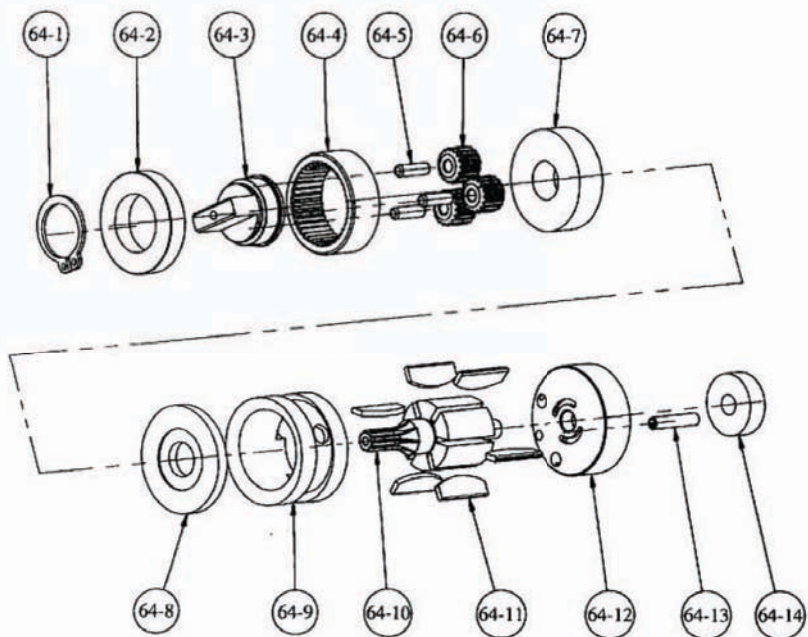


Part List for CCP-25 Tool (Imperial System)

Part No.	Project	Qty	Part No.	Project	Qty
1	SAFTY VALVE ASSY.	1	41	LOCK NUT	1
2	RUBBER BOTTOM	1	42	TIE-ROD	1
3	AIR CYLINDER BODY	1	43	SPRING	1
3-5	WASHER	2	44	ANVIL CLUTCH	1
3-6	NUT 6-0.75	2	44-1	NUT	1
4	LINER	1	45	SPRING-PIN	1
5	NUT	1	46	ADAPTER II	1
6	WASHER	1	47	NOSE PIECE	1
7	AIR PISTON	1	48	STOPPER	1
8	ORING	1	49	SPRING	1
10	ORING	1	50	PIN	2
10-1	ORING	2	51	WEAR-RING	1
11	ORING DEPRESSOR	1	53	OIL SEAL	1
11-1	ORING DEPRESSOR	2	54	SOCKET SCREW	3
12	SPRING	1	55	OIL SEAL WASHER	1
13	TUBE	1	56	HOOK	1
14	ROD	1	57	OIL CLYING BODY	1
14-1	ROD	2	57-1	indicator	1
15	STEM NUT	1	57-2	SCALE TAG	1
17	BACK-UP RING	1	58	ADJUSTMENT NUT	1
18	ORING	2	59	TORSION BAR	1
19	STEM	1	60	OIL SEAL	1
20	MUFFLER	1	62	WEAR-RING	1
21	PAD	1	63	OIL PISTON	1
22	ORING	4	64	AIR MOTOR ASSY.(SEE FIG7)	1
23	CAGE	4	65	SPRING	1
24	SPRING	1	66	EXTENDER	1
25	VALVE	1	67	CAP BODY	1
26	VALVE CAP	1	67-1	ORING	2
27	RETAINING RING B 16	1	68	NEEDLE	1
29	HANDLE BODY	1	69	ORING	1
29-6	NUT STAND	1	70	NEEDLE CAP	1
29-7	INLET ADAPTER	1	71	ORING DEPRESSOR	2
29-8	HANDLE SHEATH	1	72	SPRING	1
30	TIGGER UI	1	73	SOCKET SET SCREW	1
31	VALVE PISTON	1	74	WEAR WASHER	1
32	ORING	4	75	ORING	2
33	ORING	2	76	HANDLE CAP	1
34	TRIGGER INSERT	1	77	SOCKET SCREW	4
35	TIGGER INSERT	1	78	SOCKET SCREW	1
36	TIGGER HEAD	2	79	DIE WRENCH	1
37	TRIGGER	1	80	SPANNER	1
38	PIN	1	81	SPANNER	1
39	ORING	1	82	OIL CAN	1
40	ANVIL	1	83	EYE LEVER	1

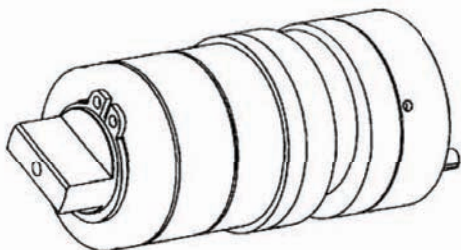
EXPLODED VIEW OF CCP-25 SPIN-PULL TOOL.

CCP-25 Spin/Pull Riv-Nut Tool



MOTOR PART LIST

Part No.	Part Name	Q'ty
64-1	RETAINING RING A15	1
64-2	BEARING	1
64-3	MOTOR DRIVER	1
64-4	PLANET	1
64-5	PIN	3
64-6	MOTOR INNERGEAR	3
64-7	BEEARING	1
64-8	MOTOR SPACER	1
64-9	MOTOR HOUSING	1
64-10	MOTOR ROTOR	1
64-11	BLADE	6
64-12	MOTOR BOTTOM	1
64-13	PIN	1
64-14	BEARING	1



Motor of CCP-25 Spin-Pull Tool.