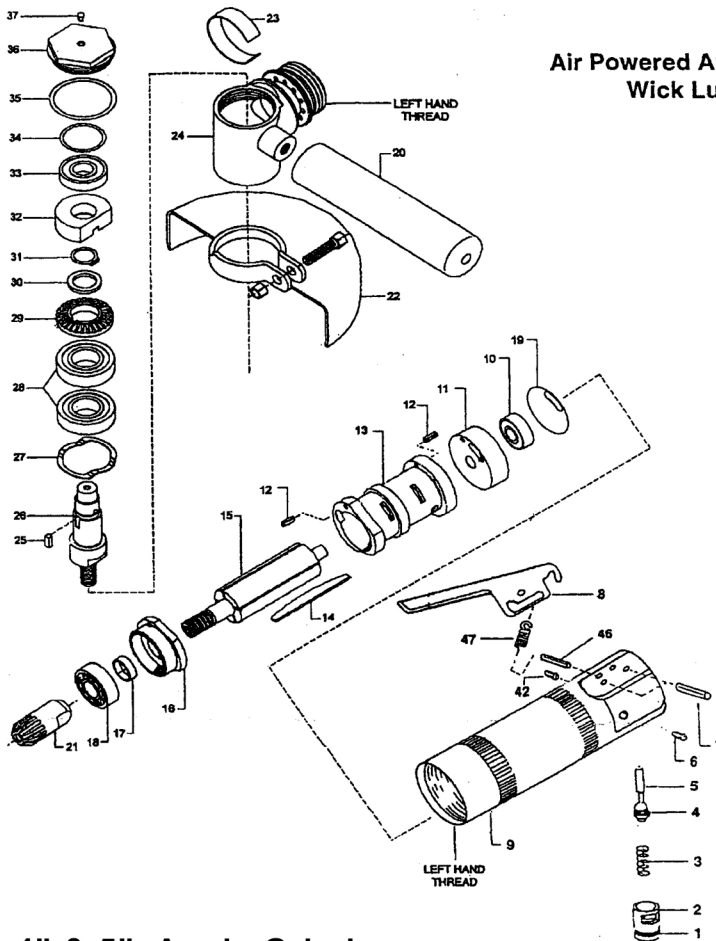


GA-11650

Air Powered Angle Grinder with
Wick Lubrication System
11,000 RPM



PATCO 4" & 5" Angle Grinder

PATCO INDEX NO.	PATCO PARTS DESCRIPTION	QTY.	PATCO PART NO.	REF. C.P. NO.
1	*O* Ring	1	G-3001	A-043001
2	Cap Regulator	1	G-3319	C-134319
3	Spring Throttle Valve	1	G-3181	C-119181
4	*O* Ring	1	G-3083	C-069083
5	Valve Throttle	1	G-3179	C-119179
6	Screw-Set	1	GA-3293	
7	Pin Throttle Lever	1	G-3660	C-071660
8	Lever Throttle	1	G-3087	C-133087
9	Housing Motor	1	G-3316	C-134320
10	Bearing-Ball	1	G-3412	S-065412
11	Plate Rear End	1	G-3182	C-119182
12	Pin-Liner	2	G-3791	C-087791
13	Liner	1	G-3183	C-119183
14	Blade-Rotor	4	G-3191	C-119191
15	Rotor	1	G-3184	C-119184
16	Plate-Front End	1	G-3185	C-119185
17	Spacer-Bearings	1	G-3192	C-119192
18	Bearing-Ball	1	G-3326	C-120326
19	Motor housing shim	1	GA-11926	
20	Dead handle	1	GA-11393	
21	Pinion	1	GA-11789	

PATCO INDEX NO.	PATCO PARTS DESCRIPTION	QTY.	PATCO PART NO.	REF. C.P. NO.
22	Wheel guard 5"	1	GA-11208	
23	Exhaust deflector	1	GA-3190	C-119190
24	Angle housing	1	GA-11898	
25	Key	1	GA-11086	
26	Spindle 5/8-11	1	GA-11858	
27	Wave spring	1	GA-11925	
28	Lower spindle bearing	2	GA-11892	
29	Gear	1	GA-11790	
30	Retainer ring	1	GA-11894	
31	Snap ring	1	GA-11829	
32	Lubricating wick	1	GA-11831	
33	Upper spindle bearing	1	GA-11810	
34	Upper bearing shim	1	GA-11897	
35	Bearing cap shim	1	GA-11499	
36	Bearing cap	1	GA-11896	
37	Lubrication fitting	1	GA-3661	C-094661
42	Locking set screw	1	G-3193	
46	Roll Pin	1	G-3726	C-091726
47	Lever spring	1	G-3098	C-133098
48	Open-end wrench	1	G-3653	

Just Tools Inc. 33A Haas Road, Toronto, M9W 3A1

Tel: 416-748-0707 Toll Free: 1-888-748-0707 Fax: 416-748-0706 E-mail: sales@justtools.com