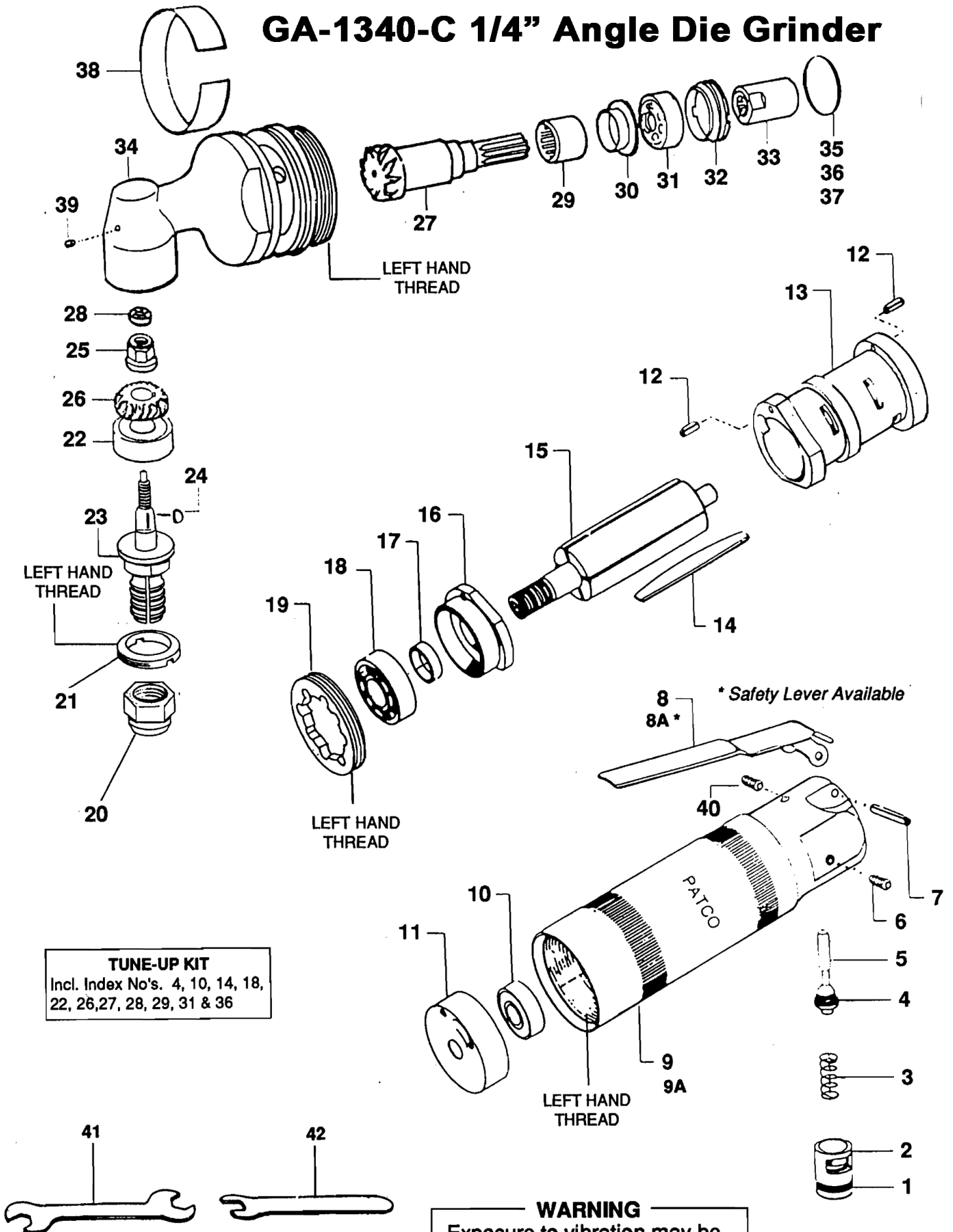


GA-1340-C 1/4" Angle Die Grinder



TUNE-UP KIT
 Incl. Index No's. 4, 10, 14, 18,
 22, 26, 27, 28, 29, 31 & 36

WARNING
 Exposure to vibration may be
 harmful to hands and arms.

PATCO GA-1340-C 1/4" Angle Die Grinder

Parts List

| PATCO INDEX NO. | PATCO PART DESCRIPTION | QUANTITY | PATCO PART NO. | REF. C.P. NO. |
|-----------------|------------------------|----------|----------------|---------------|
| 1. | "O" Ring | 1 | G-3001 | A-043001 |
| 2. | Cap Regulator | 1 | G-3180 | C-119180 |
| 3. | Spring Throttle Valve | 1 | G-3181 | C-119181 |
| 4. | "O" Ring | 1 | G-3083 | C-069083 |
| 5. | Valve Throttle | 1 | G-3179 | C-119179 |
| 6. | Screw Set | 1 | G-3193 | C-119193 |
| 7. | Pin Throttle Lever | 1 | G-3089 | C-114089 |
| 8. | Throttle Lever | 1 | G-3777 | C-118777 |
| 8A. | Safety Lever | 1 | G-3781 | C-118777 |
| 9. | Housing Motor | 1 | GA-3617 | C-129617 |
| 9A. | Housing Motor—Aluminum | 1 | GA-3617A | |
| 10. | Bearing - Ball | 1 | G-3412 | S-065412 |
| 11. | Plate Rear End | 1 | G-3182 | C-119182 |
| 12. | Pin - Liner | 2 | G-3791 | C-087791 |
| 13. | Liner | 1 | G-3183 | C-119183 |
| 14. | Blade - Rotor | 4 | G-3191 | C-119191 |
| 15. | Rotor | 1 | G-3184 | C-119184 |
| 16. | Plate - Front End | 1 | G-3185 | C-119185 |
| 17. | Spacer - Bearings | 1 | G-3192 | C-119192 |
| 18. | Bearing - Ball | 1 | G-3326 | C-120326 |
| 19. | Nut Clamp | 1 | G-3187 | C-119187 |
| 20. | Nut-Collet 1/4" | 1 | GA-3858 | S-077858 |
| 21. | Nut | 1 | GA-3487 | C-128487 |
| 22. | Bearing | 1 | GA-3819 | S-064819 |
| 23. | Spindle 1/4" Internal | 1 | GA-3999 | C-131999 |
| 24. | Key | 1 | GA-3227 | S-018227 |
| 25. | Nut | 1 | GA-3501 | C-128501 |
| 26. | Gear | 1 | GA-3497 | C-128497 |
| 27. | Pinion | 1 | GA-3496 | C-128496 |
| 28. | Bearing | 1 | GA-3142 | S-077141 |
| 29. | Bearing | 1 | GA-3494 | C-128494 |
| 30. | Spacer | 1 | GA-3502 | C-128502 |
| 31. | Bearing | 1 | GA-3878 | C-075878 |
| 32. | Nut | 1 | GA-3489 | C-128489 |
| 33. | Coupling | 1 | GA-3490 | C-128490 |
| 34. | Housing Angle | 1 | GA-3499 | C-128499 |
| 35. | Shim .003 | As Req'd | GA-3491 | C-128491 |
| 36. | Shim .005 | | GA-3492 | C-128492 |
| 37. | Shim .010 | | GA-3493 | C-128493 |
| 38. | Deflector | 1 | GA-3190 | C-119190 |
| 39. | Fitting | 1 | GA-3661 | C-094661 |
| 40. | Screw - Set Locking | 1 | GA-3293 | C-119193 |
| 41. | Wrench - Open End | 1 | G-3327 | C-119327 |
| 42. | Wrench - Collet | 1 | G-3858 | C-116858 |
| 43. | Tune-up Kit | 1 | GA-3005 | C-130005 |

Just Tools Inc.

33a Haas Road, Toronto, On. M9W 3A1 Tel: 416-748-0707 Fax: 416-748-0706 1-888-748-0706
E-mail: sales@justtools.com

2 of 2