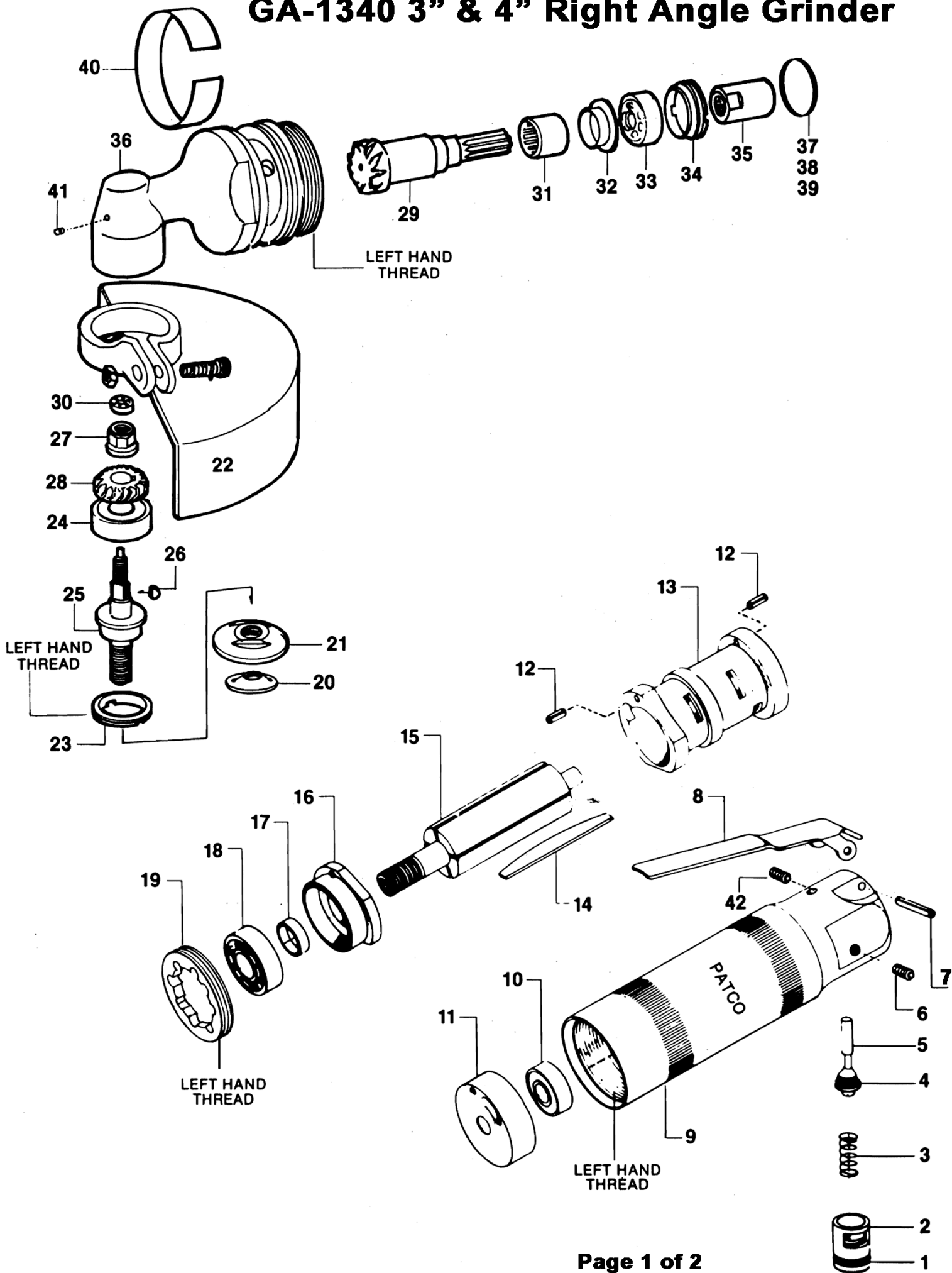


GA-1340 3" & 4" Right Angle Grinder



PATCO GA-1340 3" & 4" Right Angle Grinder

PART LIST

PATCO INDEX NO.	PATCO PART DESCRIPTION	QTY.	PATCO PART NO.	REF. C.P. NO.
1.	"O" Ring	1	G-3001	A-043001
2.	Cap Regulator	1	G-3180	C-119180
3.	Spring Throttle Valve	1	G-3181	C-119181
4.	"O" Ring	1	G-3083	C-069083
5.	Valve Throttle	1	G-3179	C-119179
6.	Screw-Set	1	G-3193	C-119193
7.	Pin Throttle Lever	1	G-3089	C-114089
8.	Lever Throttle	1	G-3777	C-118777
9.	Housing Motor	1	GA-3617	C-129617
10.	Bearing - Ball	1	G-3412	S-065412
11.	Plate Rear End	1	G-3182	C-119182
12.	Pin - Liner	2	G-3791	C-087791
13.	Liner	1	G-3183	C-119183
14.	Blade - Rotor	4	G-3191	C-119191
15.	Rotor	1	G-3184	C-119184
16.	Plate - Front End	1	G-3185	C-119185
17.	Spacer - Bearings	1	G-3192	C-119192
18.	Bearing - Ball	1	G-3326	C-120326
19.	Nut Clamp	1	G-3187	C-119187
20.	Nut - Wheel	1	GA-3588	C-050588
21.	Adapter Wheel	1	GA-3495	C-128495
22.	Guard - Wheel	1	GA-3500	C-128500
23.	Nut	1	GA-3487	C-128487
24.	Bearing	1	GA-3819	S-064819
25.	Spindle	1	GA-3498	C-128498
26.	Key	1	GA-3227	S-018227
27.	Nut	1	GA-3501	C-128501
28.	Gear	1	GA-3497	C-128497
29.	Pinion	1	GA-3496	C-128496
30.	Bearing	1	GA-3141	S-077141
31.	Bearing	1	GA-3494	C-128494
32.	Spacer	1	GA-3502	C-128502
33.	Bearing	1	GA-3878	C-075878
34.	Nut	1	GA-3489	C-128489
35.	Coupling	1	GA-3490	C-128490
36.	Housing Angle	1	GA-3499	C-128499
37.	Shim	As Req'd.	GA-3491	C-128491
38.	Shim		GA-3492	C-128492
39.	Shim		GA-3493	C-128493
40.	Deflector	1	GA-3190	C-119190
41.	Fitting	1	GA-3661	C-094661
42.	Screw - Set Locking	1	GA-3293	C-119193
43.	Spanner Wrench	1	GA-3652	C-131652
44.	Wrench Open End	1	GA-3653	
45.	Kit Tune-Up	1	GA-3005	C-130005

Just Tools Inc.

33a Haas Road, Toronto, On. M9W 3A1 Tel: 416-748-0707 Fax: 416-748-0706 1-888-748-0706
E-mail: sales@justtools.com