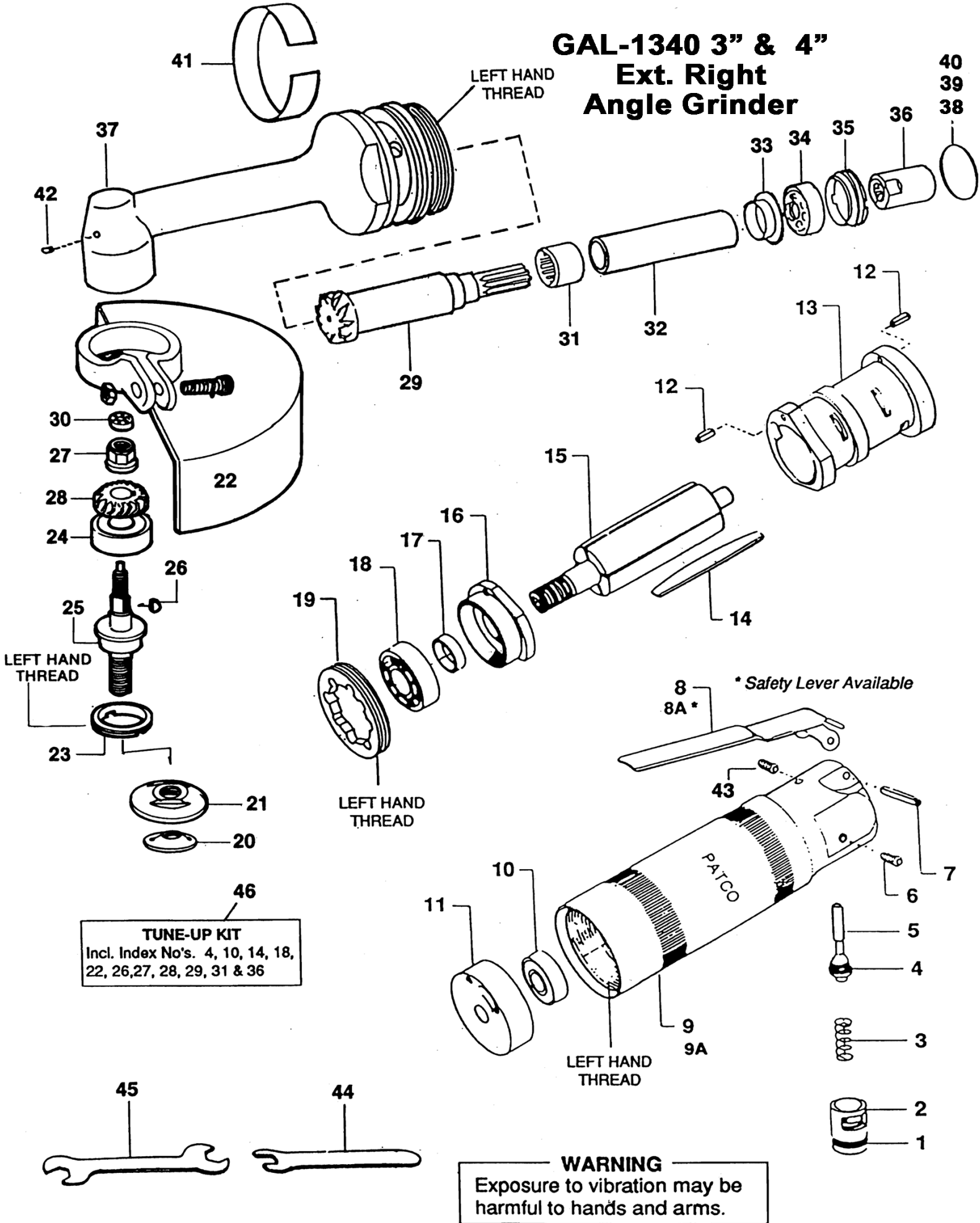


GAL-1340 3" & 4" Ext. Right Angle Angle Grinder



PATCO GAL-1340 3" & 4" Ext. Right Angle Grinder

PATCO INDEX NO.	PATCO PART DESCRIPTION	QUANTITY	PATCO PART NO.	REF. C.P. NO.
1.	"O" Ring	1	G-3001	A-043001
2.	Cap Regulator	1	G-3180	C-119180
3.	Spring Throttle Valve	1	G-3181	C-119181
4.	"O" Ring	1	G-3083	C-069083
5.	Valve Throttle	1	G-3179	C-119179
6.	Screw Set	1	G-3193	C-119193
7.	Pin Throttle Lever	1	G-3089	C-114089
8.	Throttle Lever	1	G-3777	C-118777
8A.	Safety Lever	1	G-3781	
9.	Housing Motor	1	GA-3617	C-129617
9A.	Housing Motor - Aluminum	1	GA-3617A	
10.	Bearing - Ball	1	G-3412	S-065412
11.	Plate Rear End	1	G-3182	C-119182
12.	Pin - Liner	2	G-3791	C-087791
13.	Liner	1	G-3183	C-119183
14.	Blade - Rotor	4	G-3191	C-119191
15.	Rotor	1	G-3184	C-119184
16.	Plate - Front End	1	G-3185	C-119185
17.	Spacer - Bearings	1	G-3192	C-119192
18.	Bearing - Ball	1	G-3326	C-120326
19.	Nut Clamp	1	G-3187	C-119187
20.	Nut - Wheel	1	GA-3588	C-050588
21.	Adapter Wheel	1	GA-3495	C-128495
22.	Guard - Wheel	1	GA-3500	C-128500
23.	Nut	1	GA-3487	C-128487
24.	Bearing	1	GA-3819	S-064819
25.	Spindle	1	GA-3498	C-128498
26.	Key	1	GA-3227	S-018227
27.	Nut	1	GA-3501	C-128501
28.	Gear	1	GA-3497	C-128497
29.	Pinion	1	GA-3871	C-131871
30.	Bearing	1	GA-3141	S-077141
31.	Bearing	1	GA-3494	C-128494
32.	Sleeve Spacer	1	GA-3870	C-131870
33.	Spacer	1	GA-3502	C-128502
34.	Bearing	1	GA-3878	C-075878
35.	Nut	1	GA-3489	C-128489
36.	Coupling	1	GA-3490	C-128490
37.	Housing Angle	1	GA-3872	C-131872
38.	Shim	As Required	GA-3491	C-128491
39.	Shim		GA-3492	C-128492
40.	Shim		GA-3493	C-128493
41.	Deflector	1	GA-3190	C-119190
42.	Fitting	1	GA-3661	C-094661
43.	Screw - Set Locking	1	GA-3293	C-119193
44.	Spanner Wrench	1	GA-3652	C-131652
45.	Wrench Open End	1	GA-3653	
46.	Tune-up Kit	1	GA-3820	
47.	Angle Housing Assembled	1	GA-3488	

Just Tools Inc.