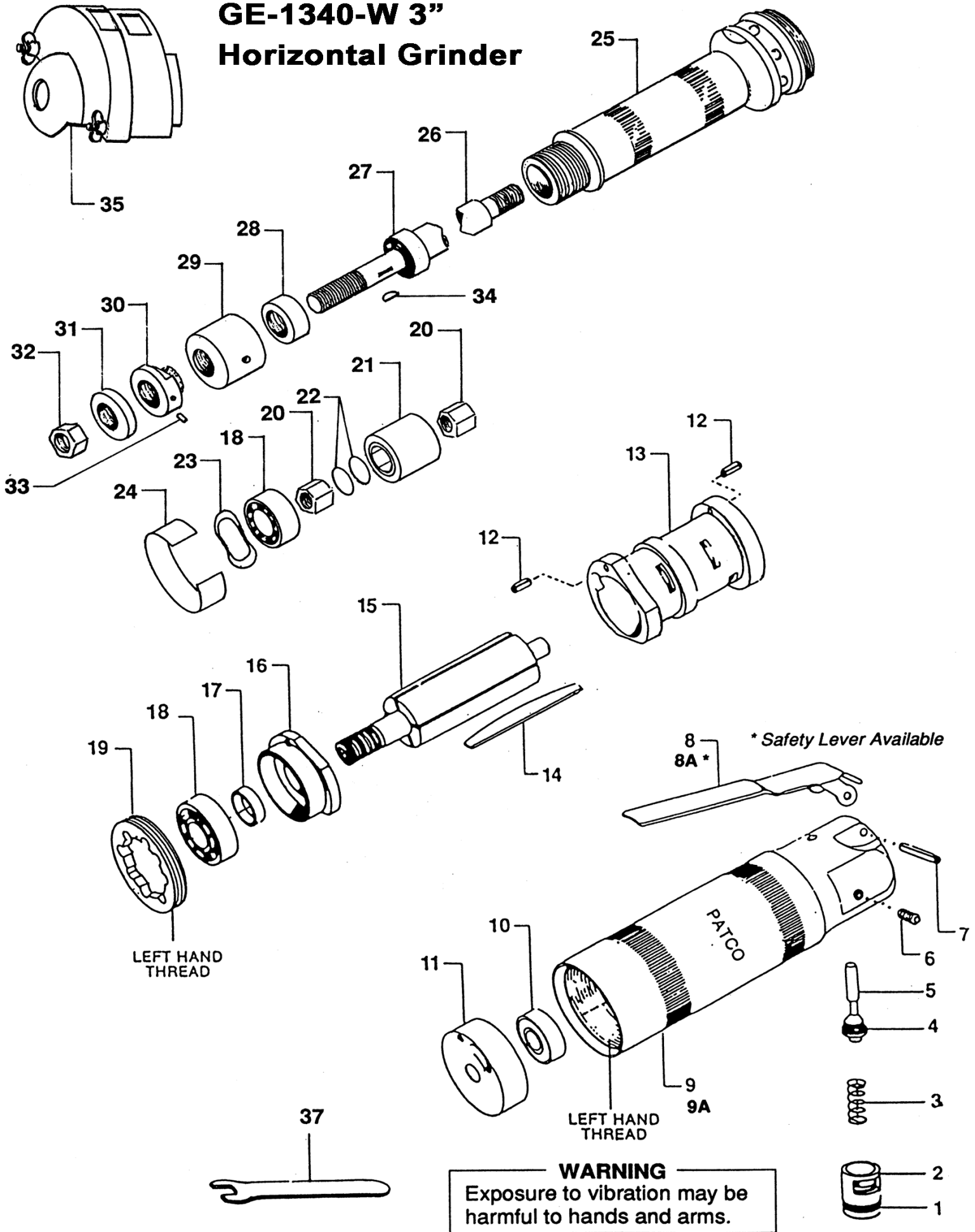


GE-1340-W 3" Horizontal Grinder



PATCO GE-1340-W 3" Horizontal Grinder

Parts List

MODEL NUMBER	DESCRIPTION	QTY	PATCO PART NO.	REF. C.P. NO.
1.	"O" Ring	1	G-3001	A-043001
2.	Cap Regulator	1	G-3180	C-119180
3.	Spring Throttle Valve	1	G-3181	C-119181
4.	"O" Ring	1	G-3083	C-069083
5.	Throttle Valve	1	G-3179	C-119179
6.	Screw Set	1	G-3193	C-119193
7.	Pin Throttle Lever	1	G-3089	C-114089
8.	Throttle Lever	1	G-3777	C-118777
8A..	Safety Lever	1	G-3781	
9.	Motor Housing	1	GE-3755	C-122755
9A.	Motor Housing—Aluminum	1	GE-3755A	
10.	Bearing - Ball	1	G-3412	S-065412
11.	Plate / Rear End	1	G-3182	C-119182
12.	Pin - Liner	2	G-3791	C-087791
13.	Liner	1	G-3183	C-119183
14.	Blade - Rotor	4	G-3191	C-119191
15.	Rotor	1	G-3184	C-119184
16.	Plate - Front End	1	G-3185	C-119185
17.	Spacer - Bearings	1	G-3192	C-119192
18.	Bearing - Ball	1	G-3326	C-120326
19.	Nut Clamp	1	G-3187	C-119187
20.	Nut Rotor	2	GE-3197	C-119197
21.	Coupling Assembly	1	GE-3198	C-119198
22.	Ring Snap	2	GE-3199	C-119199
23.	Spring-Bearing Load	1	GE-3200	C-119200
24.	Exhaust Deflector	1	GA-3190	C-119190
25.	Housing Spindle	1	GE-3799	C-120799
26.	Spindle	1	GE-3798	C-120798
27.	Ball Bearing	1	GE-3373	C-0523737
28.	Ball Bearing	1	GE-3627	C-075036
29.	Nut Bearing Clamp	1	GE-3036	C-075036
30.	Collar-Wheel Inner	1	GE-3949	C-046949
31.	Collar-Wheel Outer	1	GE-3810	S-016810
32.	Hex Nut	1	GE-3260	S-021260
33.	Set Screw	1	GE-3330	
34.	Key	1	GA-3227	S-018227
35.	3" Wheel Guard	1	GE-3939	C-097939
36.	Screen-Muffler	1	GE-3858	C-121858
37.	Open End Wrench	1	GE-3315	C-69315

Just Tools Inc.

Page 2 of 2