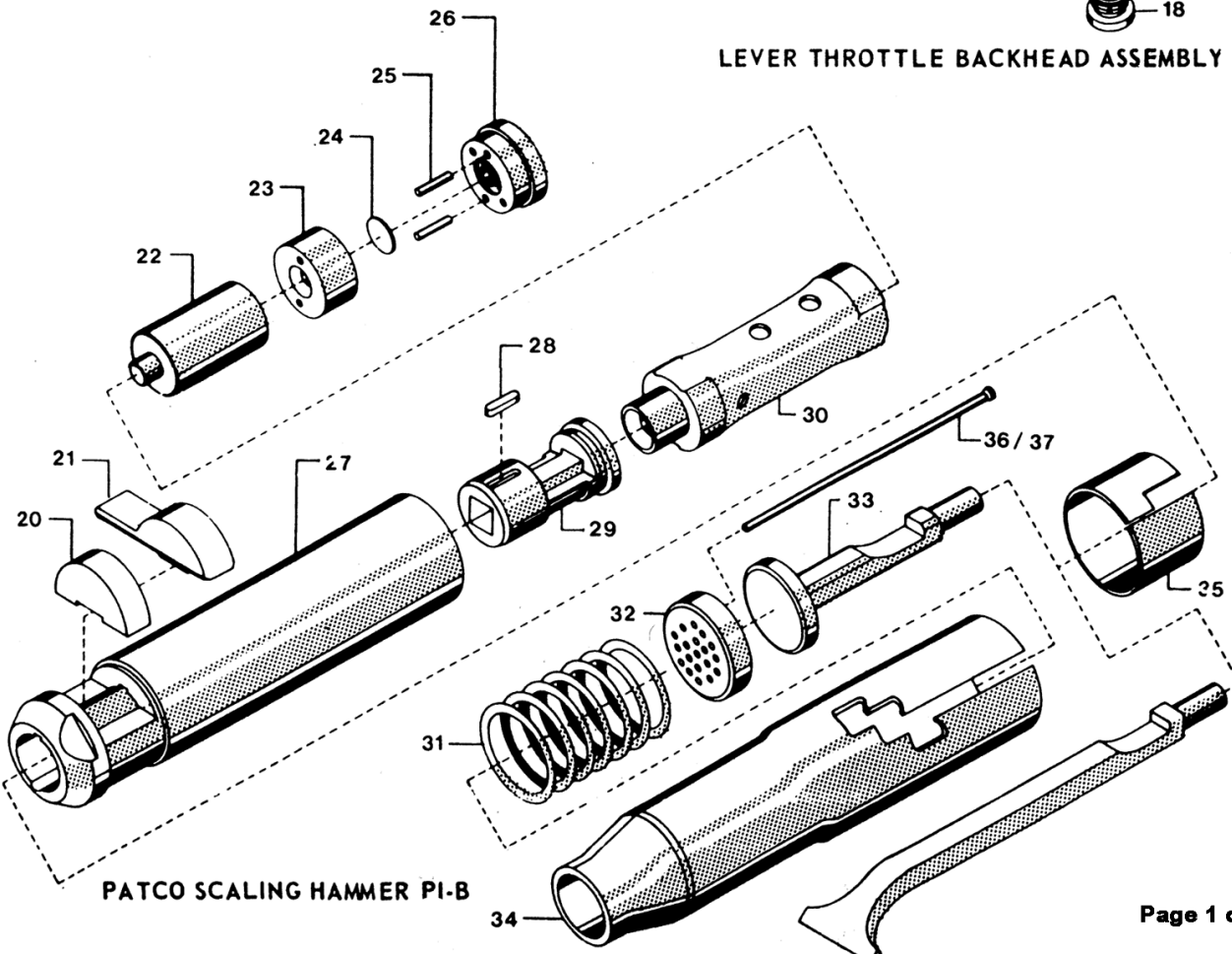
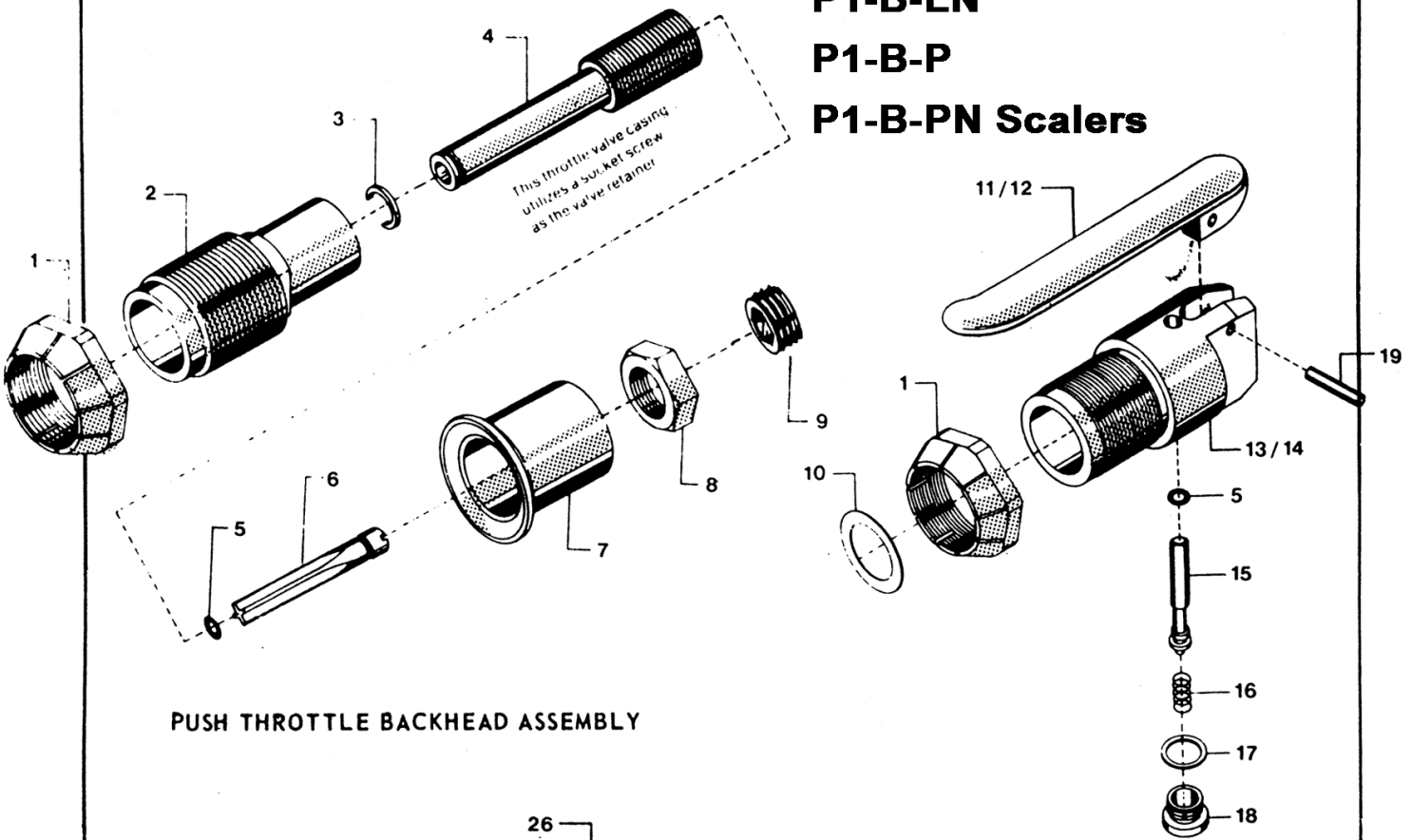


**P1-B-L
P1-B-LN
P1-B-P
P1-B-PN Scalers**



PATCO P1-B-L, P1-B-LN, P1-B-P & P1-B-PN Scalers

PARTS LIST

PATCO INDEX NO.	PATCO DESCRIPTION	QTY.	PATCO	PART NUMBER		
				CLECO	CHICAGO	PNEU.
1	BACKHEAD LOCKING RING	1	9882	832882	WP	123828
2	BACKHEAD, PUSH THROTTLE	1	9807	832807	WP	125775
3	THROTTLE VALVE CASING SNAP RING	1	9600	833600	WP	125753
4	THROTTLE VALVE CASING	1	9095	832095	WP	125756
5	"O" RING 5/32" x 9/32"	1	9302	844302	P-	083076
6	THROTTLE VALVE	1	9092	831092	WP	125757
7	HANDLE	1	9610	832610	WP	125758
8	THROTTLE VALVE CASING LOCK NUT	1	9645	843645	WP	125759
9	BACKHEAD LOCK RING	1	9583			
10	BACKHEAD POSITIONING SPACER	*	9947	832947	P-	084037
11	THROTTLE LEVER (THICK)	1	9780	834780		
12	THROTTLE LEVER (THIN)	1	9142	832142	WP	123827
13	BACKHEAD (THICK)	1	9781	834781		
14	BACKHEAD (THIN)	1	9940		WP	123829
15	THROTTLE VALVE	1	9782	834782	WP	123824
16	THROTTLE VALVE SPRING	1	9078	832078	WP	123825
17	THROTTLE VALVE CAP GASKET	1	9636	832636	WP	124755
18	THROTTLE VALVE CAP	1	9207	832207	WP	123826
19	THROTTLE LEVER PIN	1	9848	834848	C-	114089
20	RETAINER, BUFFER	1	9527	833527	WP	123818
21	RETAINER	1	9956	832956	WP	123819
22	PLUNGER	1	9373	832373	WP	123821
23	VALVE BLOCK	1	9508	832508	WP	123832
24	VALVE	1	9196	832196	WP	123823
25	VALVE BLOCK DOWEL PIN	2	9126	832126	WP	123833
26	VALVE BLOCK BUTTON	1	9173	832173	WP	123822
27	BARREL	1	9313	832313	WP	123830
28	TOOL NOSE KEY	1	9801	842801	WP	123817
29	TOOL NOSE	1	9963	832963	WP	123834
30	BARREL SLEEVE	1	9700	832700	WP	123831
31	NEEDLE HOLDER SPRING	1	9044	834044		
32	NEEDLE HOLDER	1	9046	834046		
33	NEEDLE DRIVER	1	9045	834045		
34	NEEDLE TUBE	1	9779	834779		
35	RETAINER CLIP	1	9554	832554	WP	123820
36	NEEDLE - 5"	19	9043	834043		
37	NEEDLE - 7"	19	9025	834024		

PATCO SUB-ASSEMBLIES

PART NO.	DESCRIPTION
9851	COMPLETE BACKHEAD - LEVER (INCLUDES INDEX NOS. 1,5,11,13,15,16,17,18,19)
9212	COMPLETE BACKHEAD - PUSH (INCLUDES INDEX NOS. 1,2,3,4,5,6,7,8,9)
9109	VALVE BLOCK (INCLUDES INDEX NOS. 23,24,25,26)
9322	NEEDLE ATTACHMENT (INCLUDES INDEX NOS. 31,32,33,34,36)

* As required

Just Tools Inc.

33a Haas Road, Toronto, On. M9W 3A1 Tel: 416-748-0707 Fax: 416-748-0706 1-888-748-0706

E-mail: sales@justtools.com