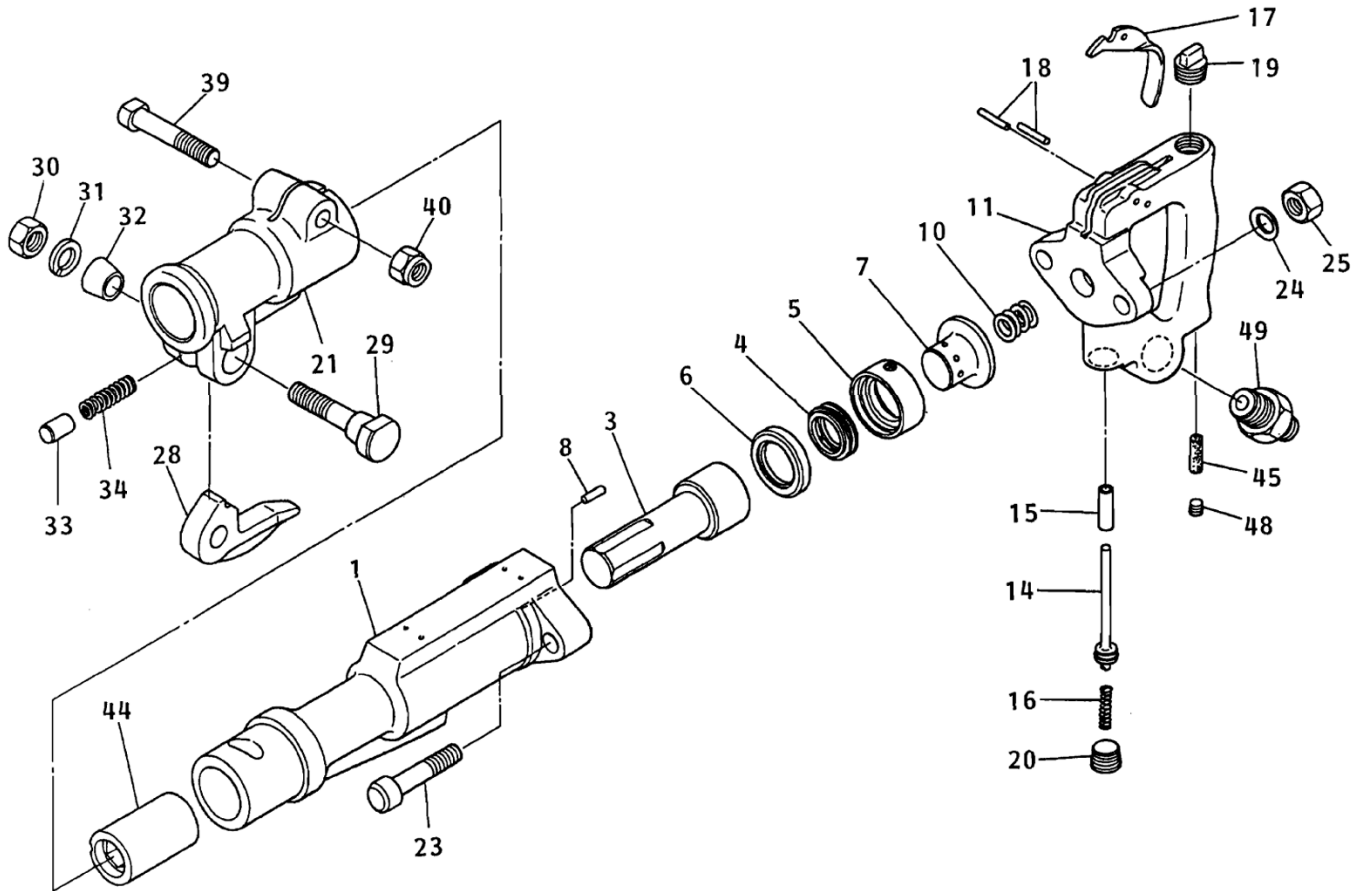


Toku - TCD-20 Clay Digger



Just Tools Inc.

33a Haas Road, Toronto, On M9W 3A1

Tel: 416-748-0707 Fax: 416-748-0706 1-888-748-0707 E-mail: sales@justools.com

MODEL TCD-20

Spare Parts Service Chart

Parts List

Symbol No.	Part No.	Q'ty Req'd	Description	MUST REPLACE 100%	HIGH WEAR 70%	MEDIUM WEAR 50%	LOW WEAR 30%	NON WEAR 10%	SUBJECT TO EXTERNAL DAMAGE
1	410207010	1	Cylinder					X	
3	410207040	1	Piston			X			
4	410207150	1	Valve				X		
5	410207190	1	Valve Chest				X		
6	410207170	1	Valve Seat				X		
7	410207200	1	Valve Guide					X	
8	130401025	1	Valve Chest Dowel Pin					A	
10	130801023	1	Plunger Spring	X					
11	410207480	1	Back Head					X	
14	410207270	1	Throttle Valve					X	
15	410221300	1	Throttle Valve Stem Guide					X	
16	130801024	1	Throttle Valve Spring			X			
17	410207120	1	Trigger				X		
18	130401024	2	Trigger Pin				X		
19	410211720	1	Oil Plug					X	
20	134904004	1	GD Plug (NPTF 1/2)					X	
21	410201530	1	Front Head					X	
23	410207500	2	Back Head Bolt					X	
24	131313114	2	Washer (M14 - 2H)				X		
25	134201015	2	Back head Bolt Nut				X		
28	410201610	1	Steel Retainer	X					
29	410201620	1	Steel Retainer Bolt			X			
30	410201630	1	Steel Retainer Bolt Nut			X			
31	131301016	1	Spring Washer M16			X			
32	410201640	1	Steel Retainer Bolt Bush			X			
33	410201650	1	Steel Retainer Plunger	X					
34	130801028	1	Steel Retainer Spring	X					
39	410201540	1	Front Head Bolt					X	
40	134201012	1	Front Head Bolt Nut				X		
44	410207570	1	Front Head Bush	X					
45	136101011	1	Oil Control Felt				X		
48	134903001	1	Oil Control Plug (NPTF 1/8)					X	
49	410207360	1	Air Inlet					X	

This service chart is a guide to expectant life of component parts. The replacement levels are based on average tool usage over a one year period.

Example : For 10 tools in use : 10 must - replace items will be required per year, 7 high wear items, etc.

Note: Quantities must be increased if the tool is in more service or continuous usage.

LEGEND

X —Type of wear, if no other comments apply.

A —Easily lost or damaged during disassembly and reassembly.