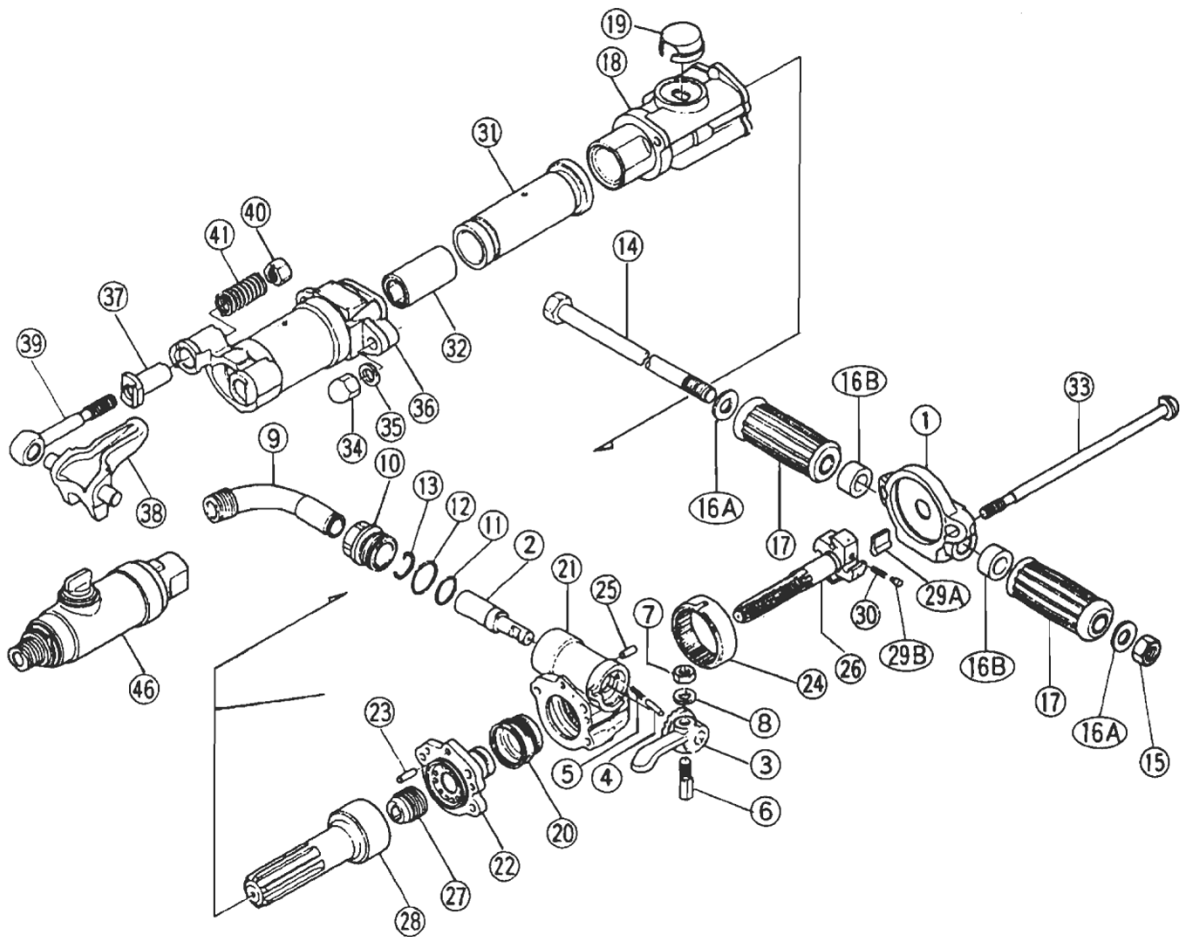


# Toku - TJ-15 Rock Drill



## Just Tools Inc.

33a Haas Road, Toronto, On M9W 3A1  
Tel: 416-748-0707 Fax: 416-748-0706  
1-888-748-0707 E-Mail: sales@justtools.com

**MODEL TJ-15**

**Spare Parts Service Chart**

**PARTS LIST**

Symbol No.	Part No.	Q'ty Req'd	Description	MUST REPLACE 100 %	HIGH WEAR 70 %	MEDIUM WEAR 50 %	LOW WEAR 30 %	NON WEAR 10 %	SUBJECT TO EXTERNAL DAMAGE
1	430101A00	1	Back Head					X	
2	430101A40	1	Throttle Valve					X	
3	430101A50	1	Throttle Valve Handle					X	
4	130403002	1	Throttle Valve Plunger					A	
5	130803001	1	Throttle Valve Spring					A	
6	430101A70	3	Throttle Valve Bolt					A	
7	134401010	1	Throttle Valve Nut M10 Pl.5					A	
8	131301010	1	Throttle Valve Nut M10					A	
9	430106B10	1	Air Connection Tube NPT						X
(9)	430101B00	(1)	Air Connection Tube PT						X
10	430101B31	1	Air Connection Nut					X	
11	131101023	1	Air Connection O'Ring(P-24)		X				
12	131101030	1	Air Connection O'Ring(P-30)		X				
13	130803004	1	Air Connection Clamp		X				
14	131503002	1	Handle Bolt					X	
15	134501016	1	Handle Nut(U Nut)M16				A		
16A	131307016	2	Handle Washer M16				A		
16B	430101C40	2	Grip Handle Washer(H.Collar)				A		
17	430101B7A	2	Handle Grip CP(Incl. 17A/17B)				A		
17A	136603001	(1)	* Handle Grip				A		
17B	430101C50	(1)	* Handle Grip Pipe					X	
18	430101C80	1	Cylinder					X	
19	430101P60	1	Exhaust Cap		A				
20	430101F80	1	Valve				X		
21	430101F9B	1	Valve Chest CP					X	
22	430101G20	1	Valve Guide					X	
23	130403001	1	Valve Knock					X	
24	430101G60	1	Ratchet	X					
25	130409001	1	Ratchet Key				A		
26	430101H01	1	Rifle Bar(P)				X		
27	430101H10	1	Rifle Nut	X					
28	430101E50	1	Piston		X				
29A	430101H20	4	Rotation Pawl	X					
29B	136303002	4	Pawl Plunger(P)				X		
30	130803006	4	Pawl Plunger Spring(P)	X					
CP31A	430101H5A	1	Rotation Sleeve CP3/4"×3-1/4"			X			
31S	430101H50	(1)	* Rotation Sleeve3-1/4"			X			
32A	430101H70	(1)	* Sleeve Bushing 3/4"×3-1/4"	X					
CP31B	430102H5A	1	Rotation Sleeve CP7/8"×3-1/4"	X					
31S	430101H50	(1)	* Rotation Sleeve3-1/4"			X			
32B	430102H70	(1)	* Sleeve Bushing 7/8"×3-1/4"	X					
CP31C	430106H6A	1	Rotation Sleeve CP3/4"×4-1/4"			X			
31L	430106H60	(1)	* Rotation Sleeve4-1/4"	X					
32C	430106H80	(1)	* Sleeve Bushing 3/4"×4-1/4"	X					
CP31D	430107H6A	1	Rotation Sleeve CP7/8"×4-1/4"			X			
31L	430106H60	(1)	* Rotation Sleeve4-1/4"			X			
32D	430107H80	(1)	* Sleeve Bushing 7/8"×4-1/4"	X					
33	131503001	2	Through Bolt				X		
34	430101W10	2	Through Bolt Nut				A		
35	131303032	2	Through Bolt Washer W1/2				A		
36S	430101W60	1	Front Head S					X	
36L	430106W70	1	Front Head L					X	
37	430101W80	2	Front Head Bushing	X					
38S	430101K90	1	Steel Holder 3/4			X			
38L	430102K90	1	Steel Holder 7/8			X			
39	430101L00	2	Steel Holder Bolt				A		
40	134203001	2	Steel Holder Nut				A		
41	130803003	2	Steel Holder Spring				A		
Accessory :									
46	137503001	(1)	LO-150N Line Oiler CP						

This service chart is a guide to expectant life of component parts. The replacement levels are based on average tool usage over a one year period.

Example : For 10 tools in use : 10 must - replace items will be required per year, 7 high wear items, etc.

Note : Quantities must be increased if the tool is in more service or continuous usage.

**LEGEND**

X — Type of wear, if no other comments apply.

A — Easily lost or damaged during disassembly and reassembly.