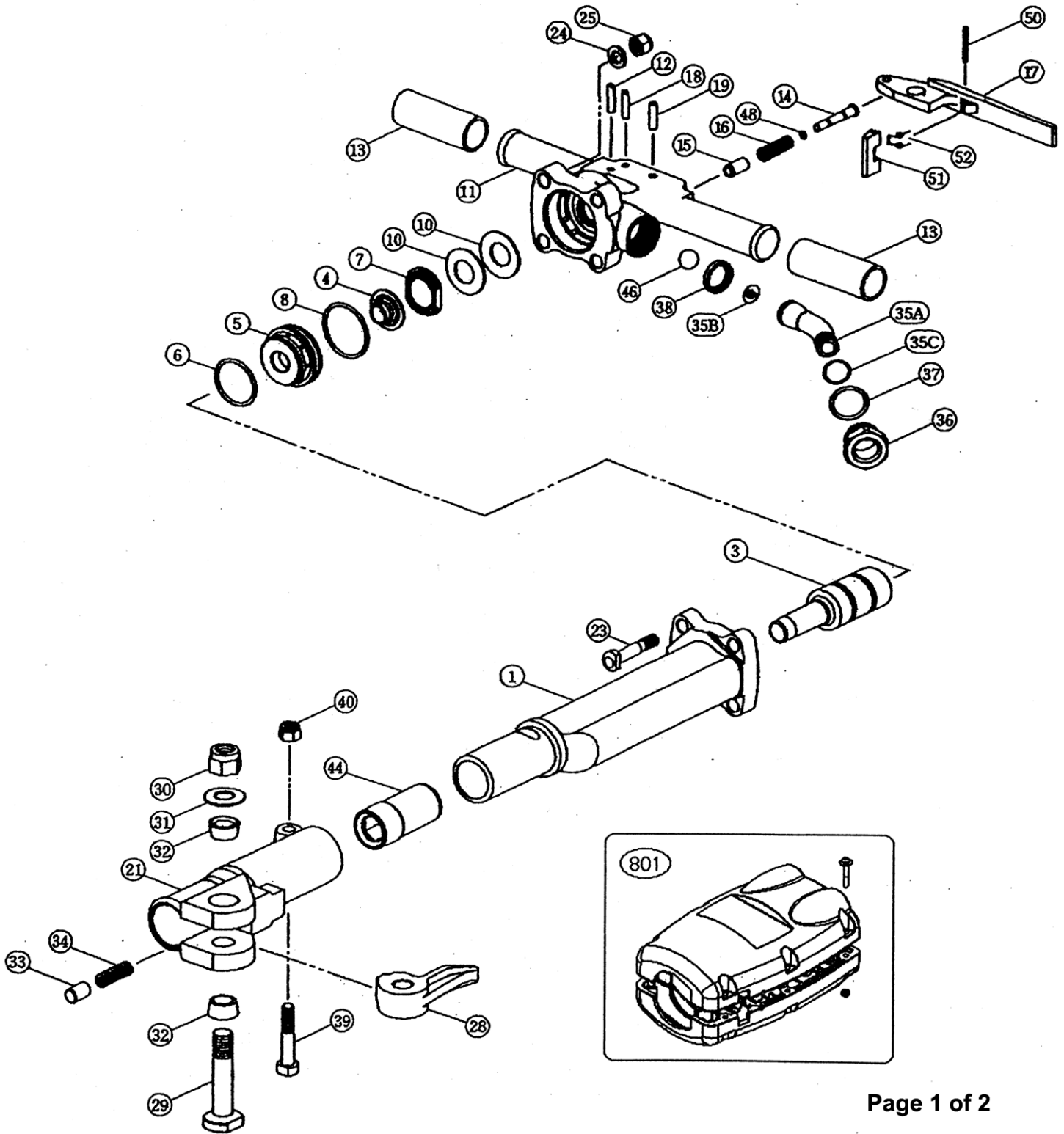




TPB-40 PAVING BREAKER



Just Tools Inc.
33a Haas Road, Toronto, On M9W 3A1
Tel: 416-748-0707 1-888-748-0707
Fax 416-748-0706 E-Mail: sales@justools.com

PAVING BREAKER

Symbol No.	Parts No.	Q'ty Req.	Description	MUST REPLRCE 100%					SUBJECT TO EXTERNAL DAMAGE
				HIGH WEAR 70%		MEDIUM WEAR 50%		NON WEAR 30%	
1	410231010	1	Cylinder					X	
3	410231040	1	Piston		X				
4	410231150	1	Valve			X			
5	410231190	1	Valve Chest					X	
6	131101045	1	O-Ring - P-46	X					
7	410231180	1	Valve Cover					X	
8	131111356	1	O-Ring JASO-3056	X					
10	131313050	2	Coned Disc Spring H-25					X	
11	410231491	1	Back Head					X	
12	130606030	1	Spring Pin 6X30					A	
13	136601010	2	Rubber Grip					X	
14	410231321	1	Throttle Push Rod					X	
15	410231281	1	Throttle Valve Bushing					X	
16	130801036	1	Throttle Valve Spring		X				
17	410241311	1	Throttle Lever					X	
18	410201330	1	Throttle Lever Pin					A	
19	130655030	1	Spring Roll Pin 8X30					A	
21	410231530	1	Front Head					X	
23	410201500	4	Back Head Bolt					X	
24	131303032	4	Spring Washer W1/2					X	
25	134201012	4	Nylon Nut					X	
28	410241610	1	Steel Retainer	X					
29	410231620	1	Steel Retainer Bolt		X				
30	134601019	1	Hex Nylon Nut 3/4-16UNF		X				
31	131313041	1	Coned Disc Spring H-20		X				
32	136301009	2	Steel Retainer Bolt Bushing		X				
33	410241650	1	Steel Retainer Plunger		X				
34	130801042	1	Steel Retainer Spring		X				
35A	410231370	1	Air Inlet Swivel					X	
35B	136801001	1	Air Inlet Screen					X	
35C	131103019	1	O-Ring S-24	X					
36	410231390	1	Air Inlet Swivel Nut					X	
37	131101033	1	O-Ring P-32	X					
38	410231410	1	Air Inlet Swivel Spacer					X	
39	410201540	1	Front Head Bolt					X	
40	134201012	1	Nylon Nut					X	
44	410235570	1	Shank Bushing 1"	X					
46	130505048	1	Polyurethane Rubber Ball 3/4					A	
48	131101003	1	O-Ring P-5	X					
50	130604040	1	spring Pin 4x40					X	
51	410241760	1	Stop Lever					X	
52	130801046	1	Stop Lever Spring					X	
801	410231D8C	(1)	Muffler CP					X	
803	41023148D	(1)	Back-Head CP (Inc. Sym. No.11 12,13,14,15,16,17,18,19,35A,35B 35C,36,37,38,46,48,50,51,52)					X	

Spare Parts Service Chart

This service chart is a guide to expectant life of component parts. The replacement levels are based on average tool usage over a one year period.

Example : For 10 tools in use : 10 must - replace items will be required per year, 7 high wear items, etc.

Note : Quantities must be increased if the tool is in more service or continuous usage.

LEGEND

X - Type of wear, if no other comments apply.
A - Easily lost or damaged during disassembly and reassembly.